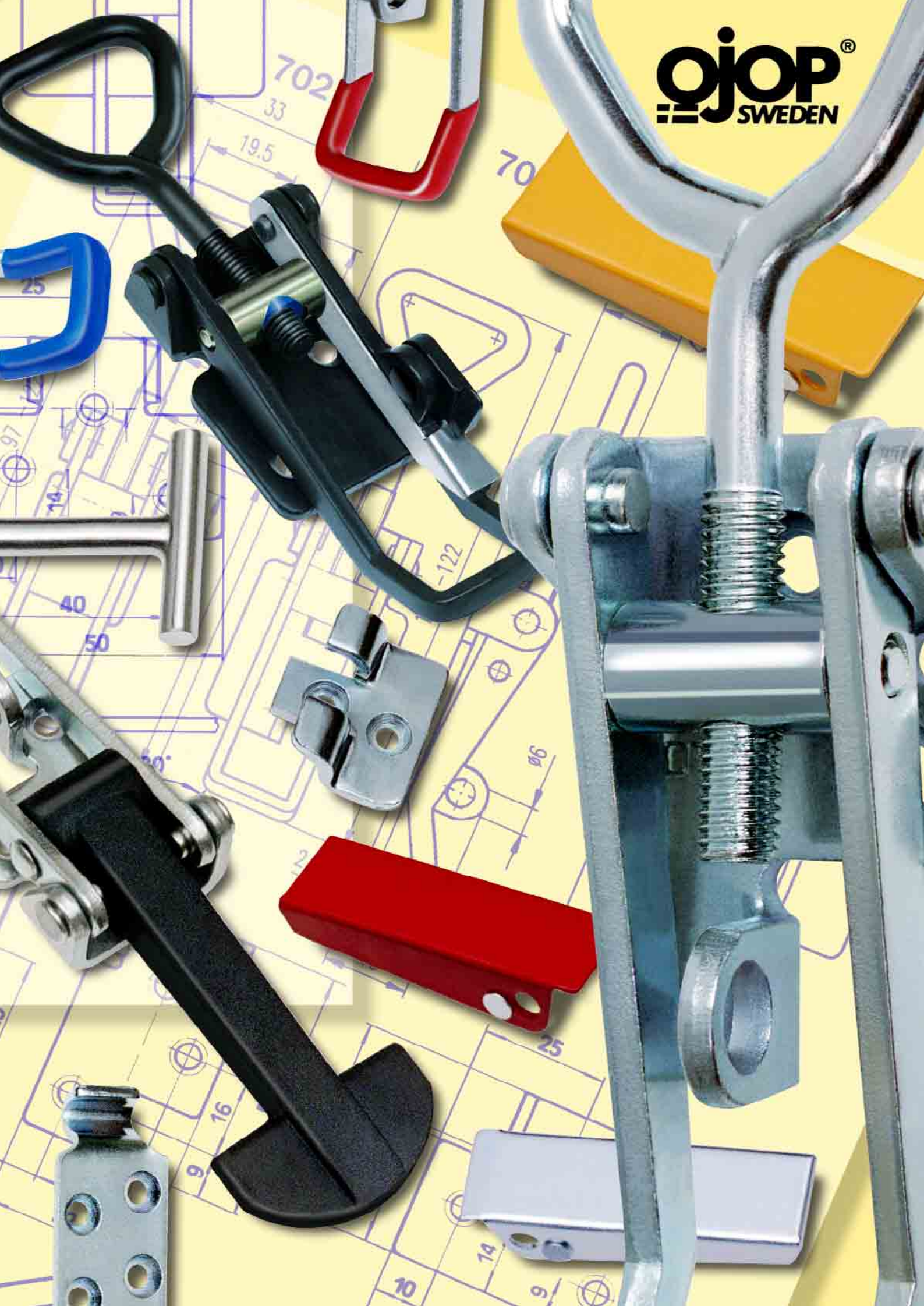


**ojop**<sup>®</sup>  
SWEDEN



OJOP SWEDEN is well known in the industrial community for catches. Over the decades we have studied market demands and built up our products to the highest quality, service, and delivery demands.

Our business idea is to supply industrial companies with the highest quality catches possible. A component which enables quick mounting and dismantling of various elements. The strength and function of our catches is adapted to the demand for permanent installation.

Our objective with this new catalogue is to give the best possible technical information to the commercial and industrial trade, and particularly to the designers.

Today our product range includes three main groups of catches: the 700-series, the 900-series, and the 100-500 series.

## Our product program

### 700-series

Manufactured in pressed steel, **Utility type**, and the most popular catch. A strong and functional catch.

**Pages 4 – 15**

### 900-series

**Modern Swedish design**, fully closed, technically interesting, with friction screw, one hand operation, space saving.

**Pages 16 – 20**

### 100-500-series

The ideal catch **for rugged environments**. Shock resistant. Extra strength. Made of drop forged steel. **Our speciality**.

**Pages 21 – 30**

## Standard material and surface finish

Due to the need for varying requirements we can offer special finishes such as yellow,- green,- or black- chromated, fasteners with bands, curved mounting-plates, extended fasteners etc...

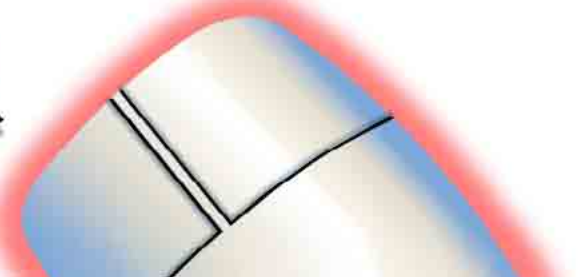
When you order please state the following:

Raw finish without mounting holes is Code **A**. For example, **702 A** without mounting holes and no zinc-plating, is made for **Welding**.

Zinc-plated and with mounting holes is Code **C**. For example, **702 C** with Zinc-plating and countersunk mounting holes.

**We manufacture all components used in our products.**

Down-load your **OJOP-SWEDEN Auto-CAD** directly from our home page [www.ojopsweden.se](http://www.ojopsweden.se)



Striker



Screw-loop



Handle



Mounting plate



Series	Material	Zinc-plated 12 microns	Stainless AISI 316	Finish
700	Cold-rolled steel Hot-rolled steel	x	x	Electrolytic brightening
900	Cold-rolled steel	x	x	
100-500	Drop forged steel	x	400-500-catches	Electrolytic brightening

# 701



701 S/C



Hook-screw  
701



701 L/C

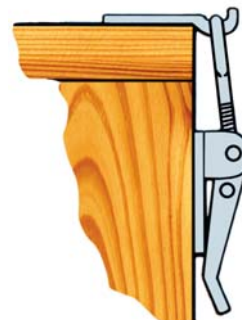


T-screw 701

Strikers  
15, 18 or 30



Strikers  
14 or 50



Striker  
49



Strikers,  
see pages: 31–36

Combinations		Capacity			Weight	
Catch	Striker	Recommended maximum load			Weight per 100 pcs.	
		Kp	N	Pounds	Kilos	Pounds
701 S/C	15, 30, 49, 50	100	981	220	3,6	7.9
701 TS/C	14, 18	200	1962	440	3,3	7.3
701 HS/C	–	100	981	220	3,2	7.0
701 L/C	15, 30, 49, 50	100	981	220	4,1	9.0
701 TL/C	14, 18	200	1962	440	3,8	8.4
701 HL/C	–	100	981	220	3,7	8.1

# 701 TS

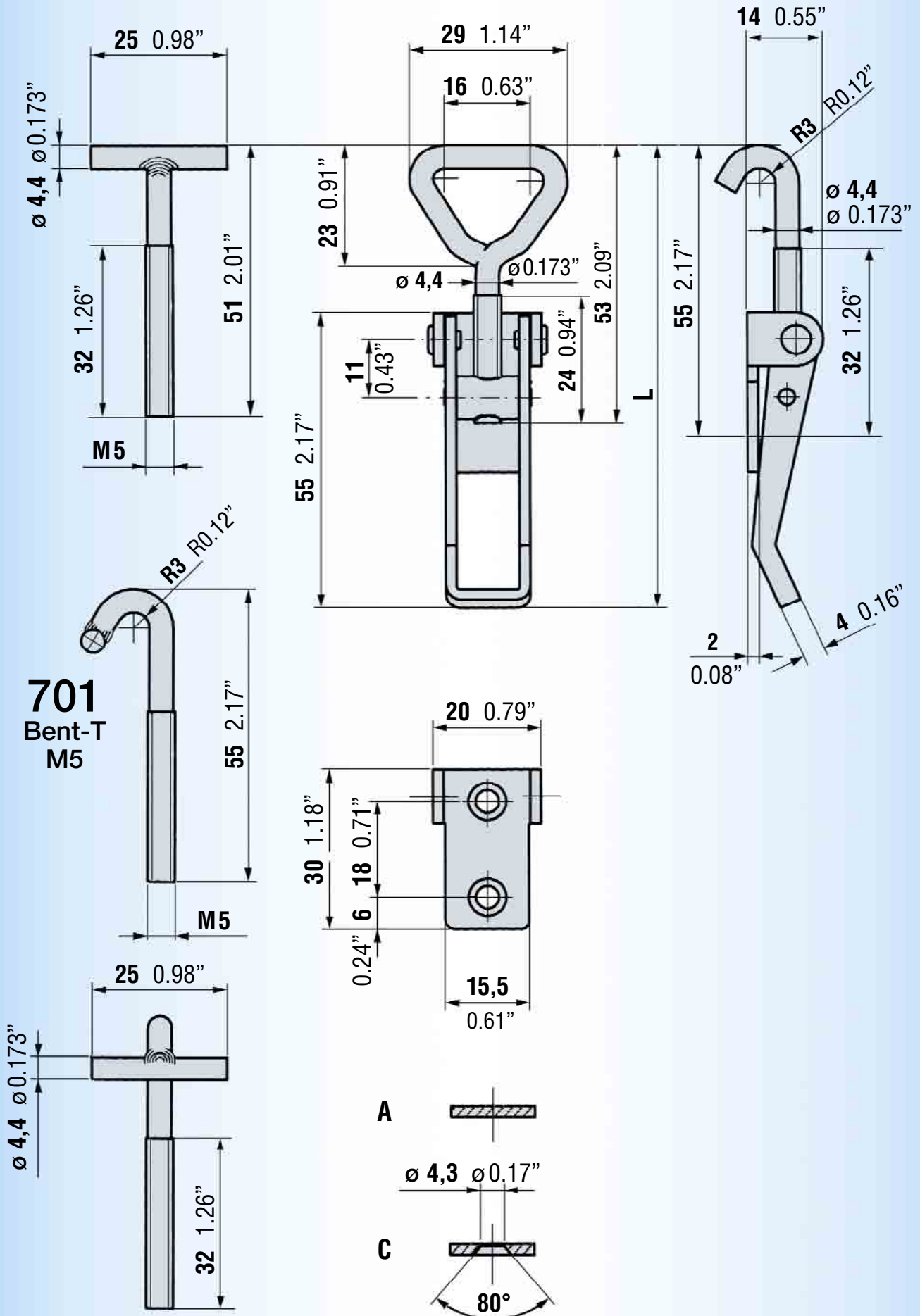
L = 77-88 2.68"-3.46"

# 701 S

L = 77-88 3.03"-3.46"

# 701 HS

L = 75-90 2.95"-3.54"



# 701 TL

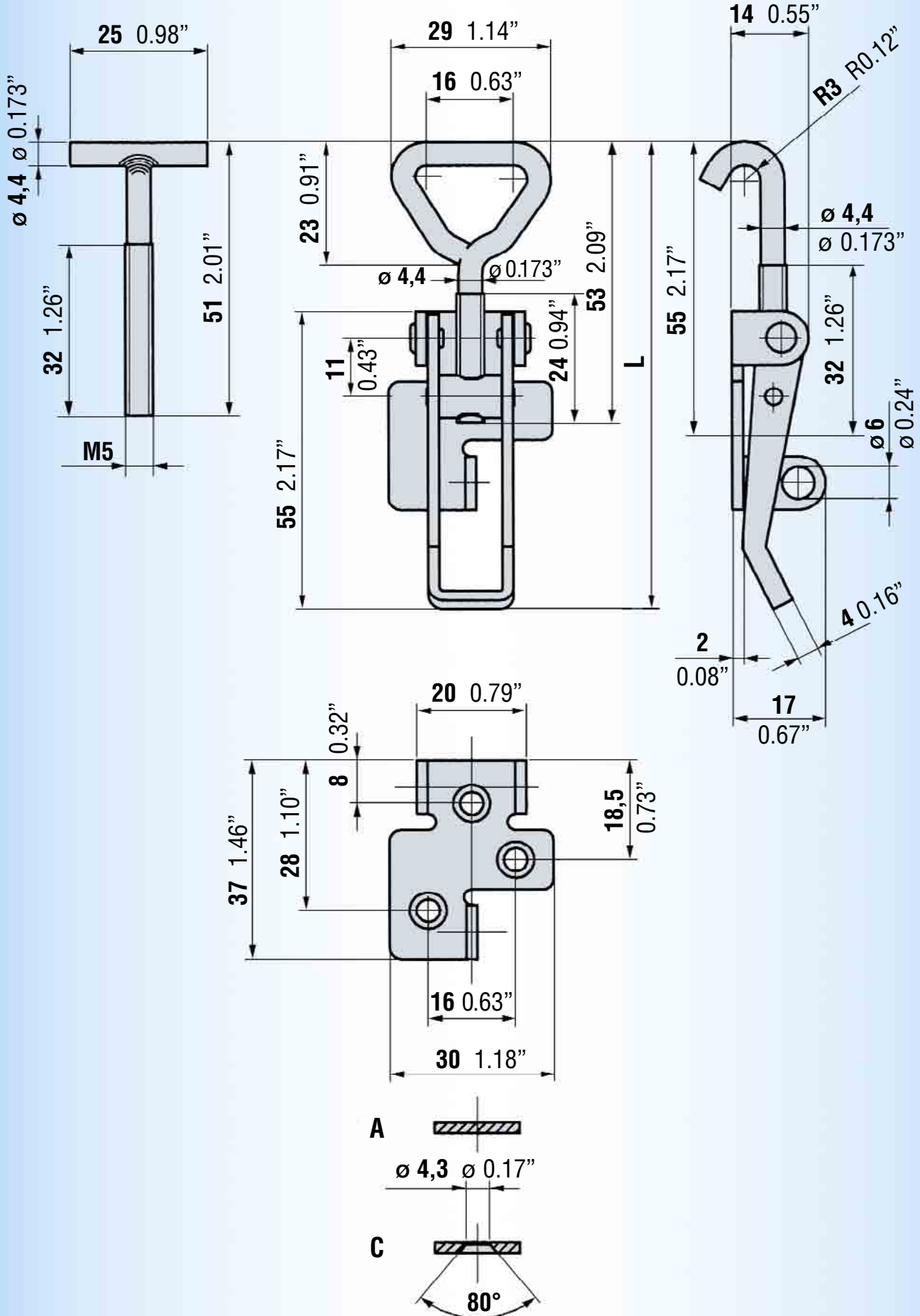
L = 82-88 3.23"-3.46"

# 701 L

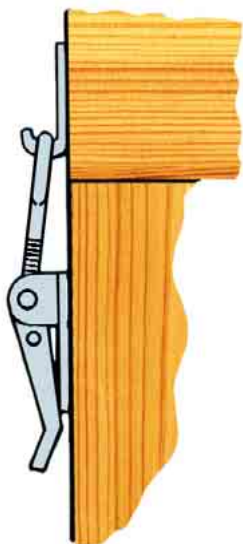
L = 82-88 3.23"-3.46"

# 701 HL

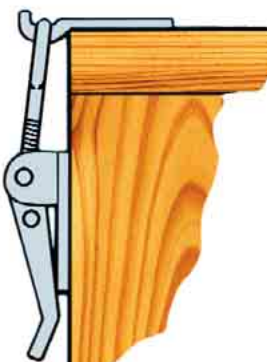
L = 84-90 3.31"-3.54"



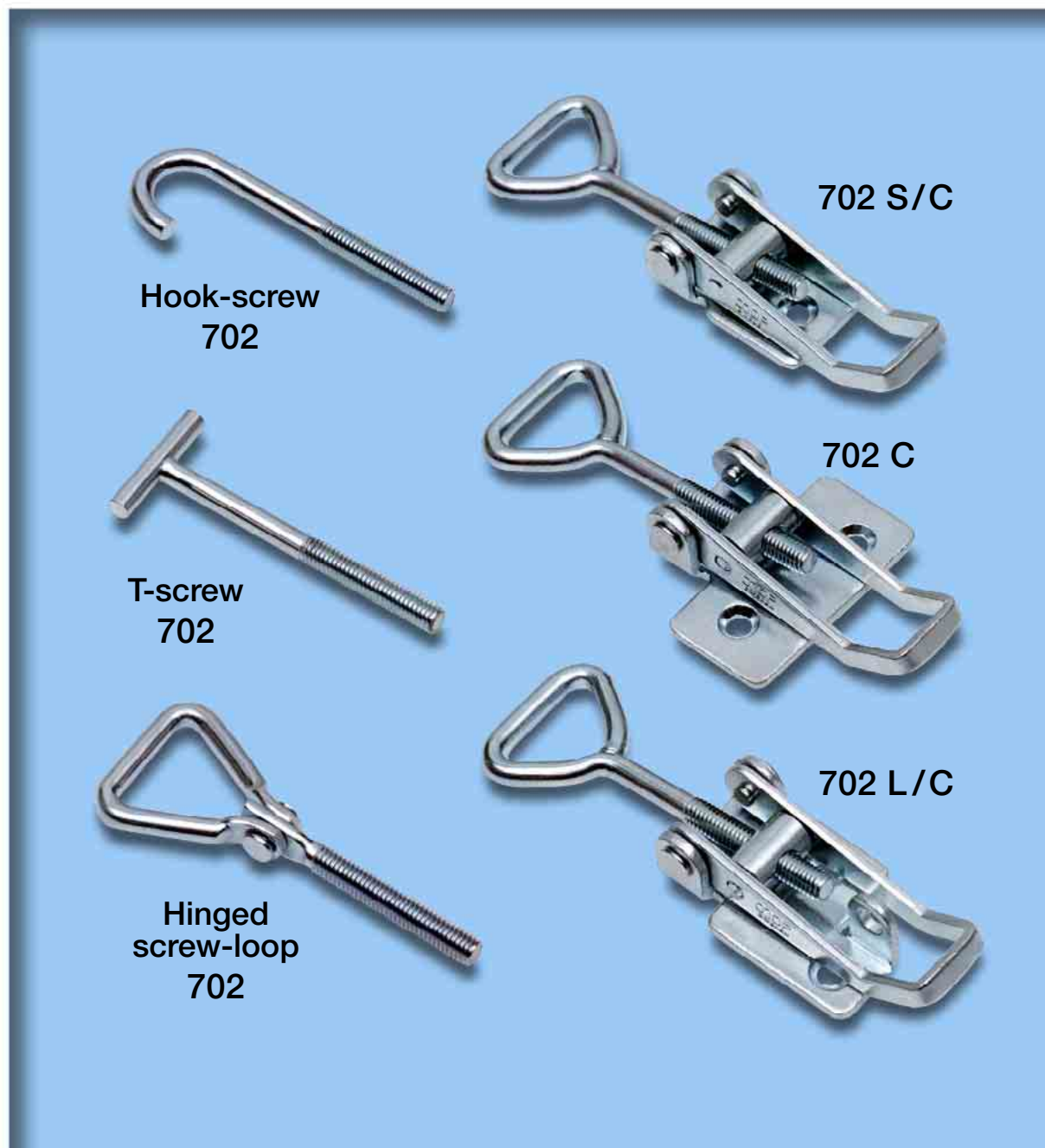
Strikers  
19 or 31



Strikers  
10 or 14



Strikers,  
see pages: 31–36



Hook-screw  
702

702 S/C

T-screw  
702

702 C

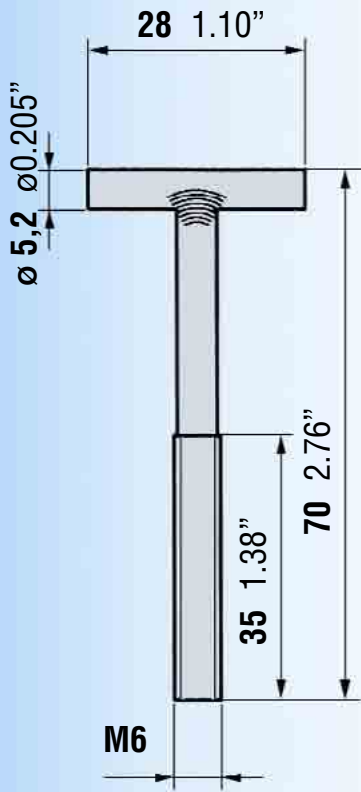
Hinged  
screw-loop  
702

702 L/C

Combinations		Capacity			Weight	
Catch	Striker	Recommended maximum load			Weight per 100 pcs.	
		Kp	N	Pounds	Kilos	Pounds
702 S/C	10, 31	300	2943	660	7,2	15.9
702 TS/C	14, 19	400	3924	881	6,7	14.8
702 HS/C	–	100	981	220	6,6	14.5
702 S/C Hinged	10, 31	250	2452	550	7,5	16.5
702 L/C	10, 31	300	2943	660	8,0	17.6
702 TL/C	14, 19	400	3924	881	7,4	16.3
702 HL/C	–	100	981	220	7,3	16.1
702 L/C Hinged	10, 31	250	2452	550	8,3	18.3
702 C	10, 31	300	2943	660	8,4	18.5
702 T/C	14, 19	400	3924	881	7,8	17.2
702 H/C	–	100	981	220	7,7	17.0
702 C Hinged	10, 31	250	2452	550	8,6	18.9

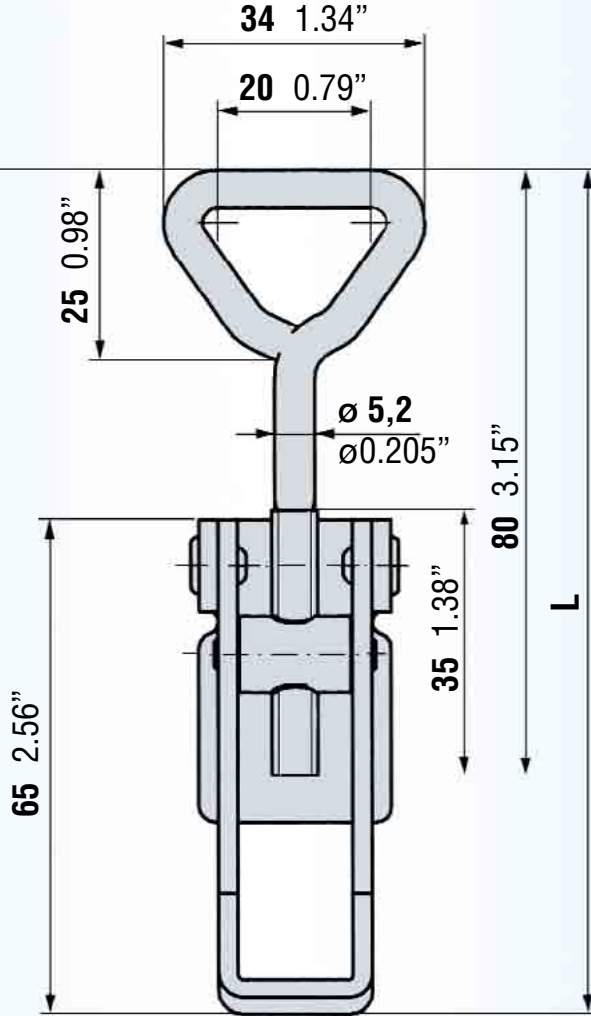
# 702 TS

L = 94-112 3.46"-4.41"



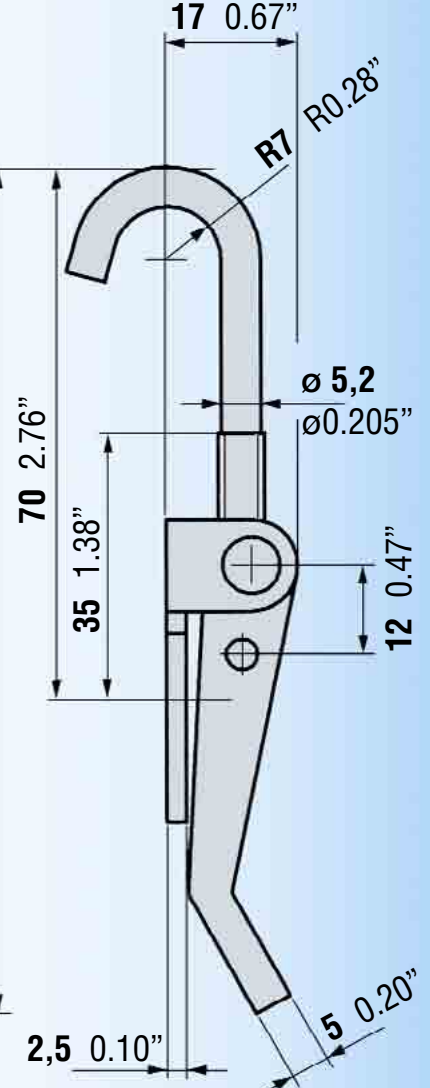
# 702 S

L = 98-122 3.86"-4.80"



# 702 HS

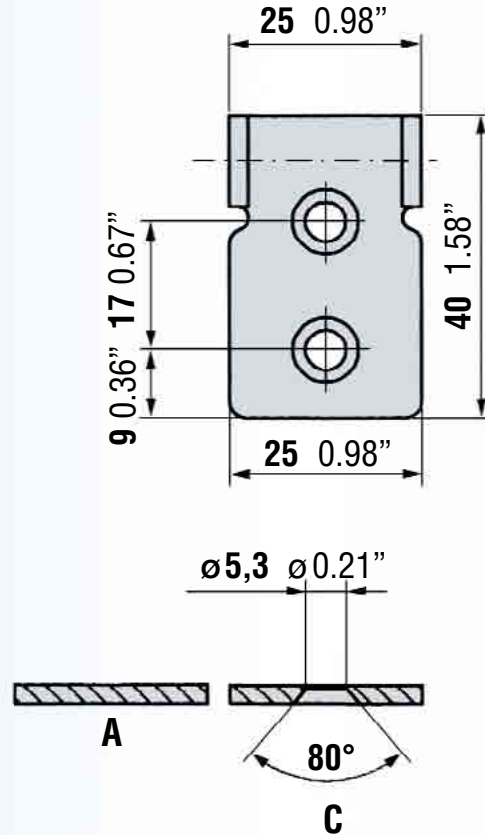
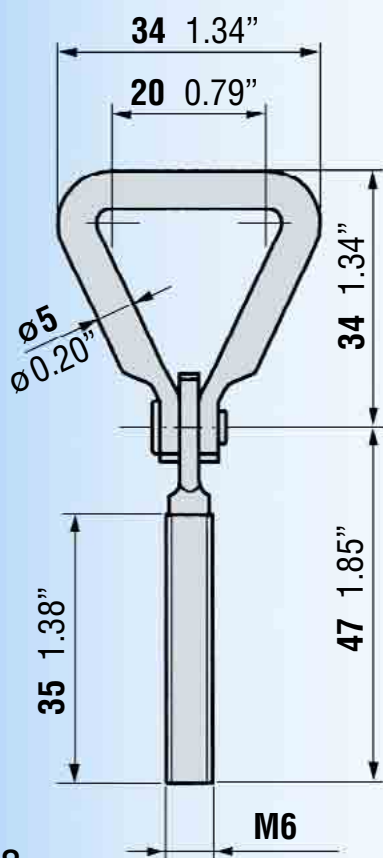
L = 88-112 3.46"-4.41"



# 702 S

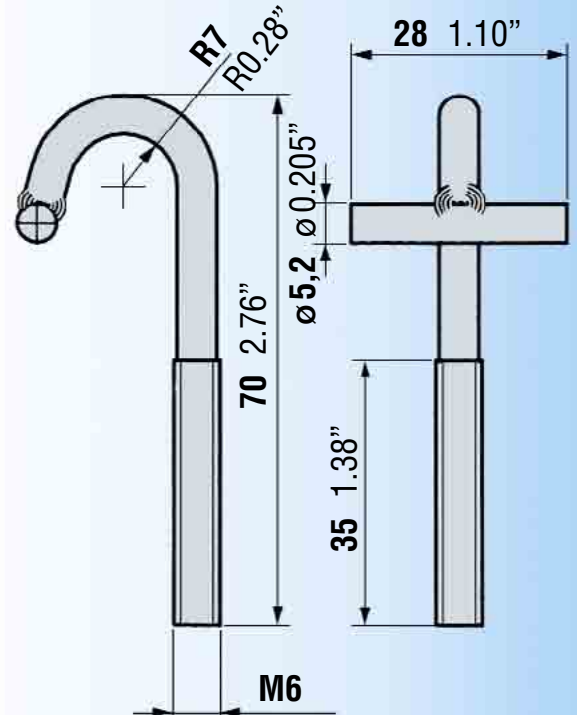
Hinged screw-loop

L = 98-122 3.86"-4.80"



# 702

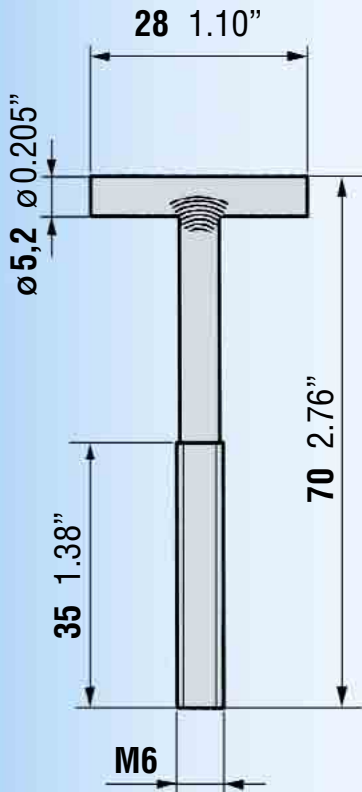
Bent-T M6





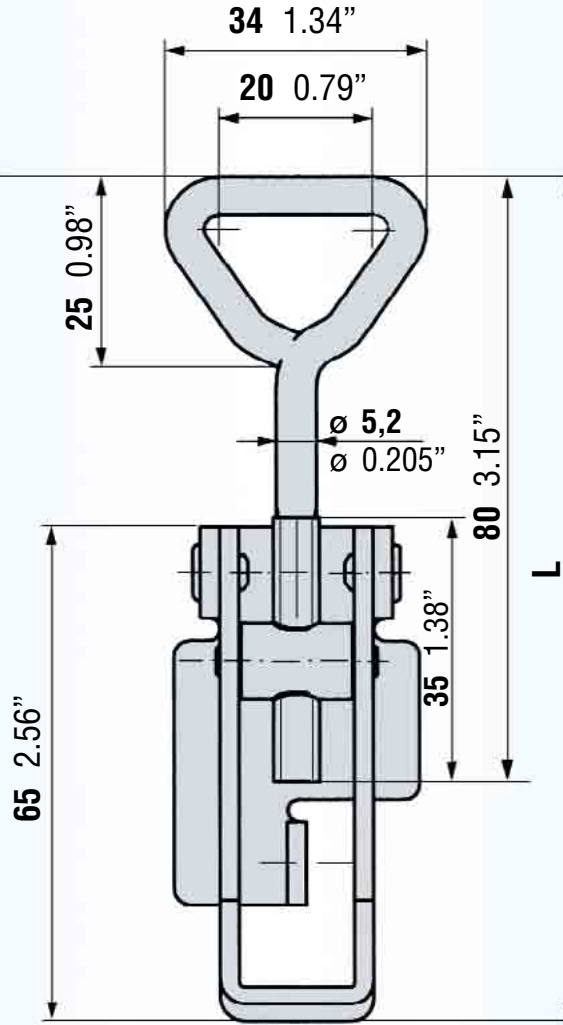
# 702 TL

L = 98-112 3.86"-4.41"



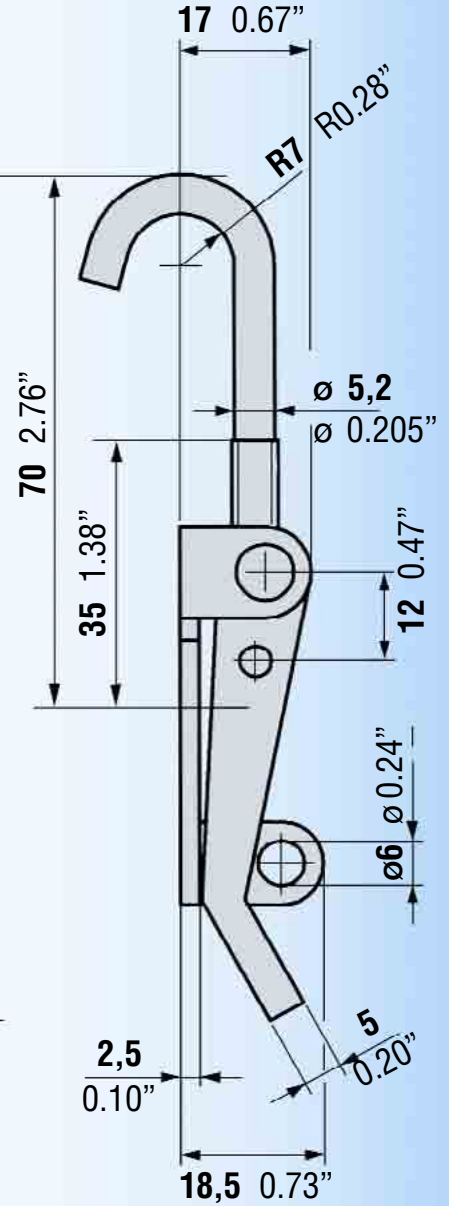
# 702 L

L = 107-122 4.21"-4.80"



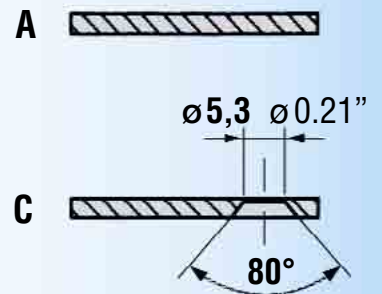
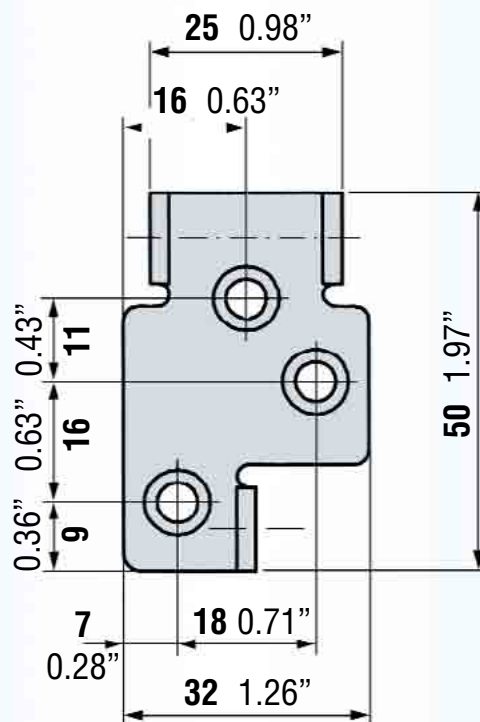
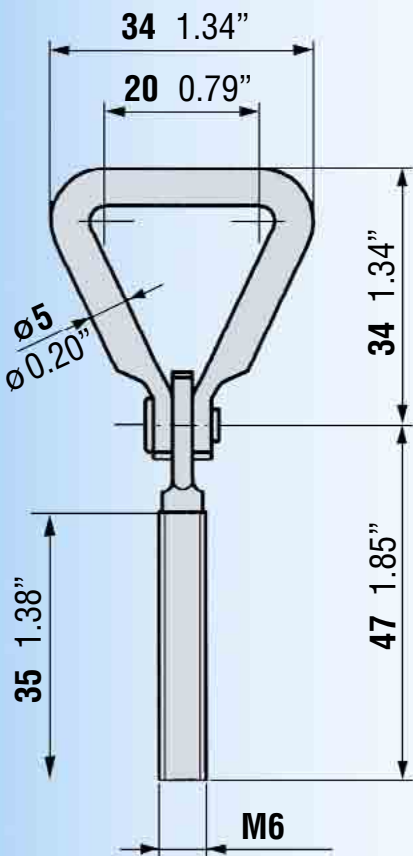
# 702 HL

L = 98-112 3.86"-4.41"



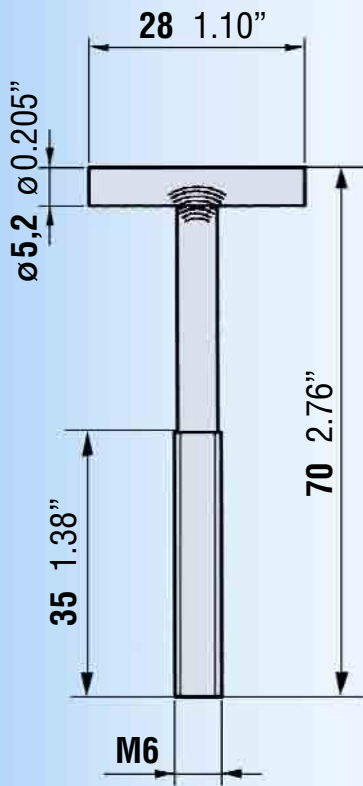
# 702 L

Hinged screw-loop  
L = 108 - 122 4.25"-4.80"



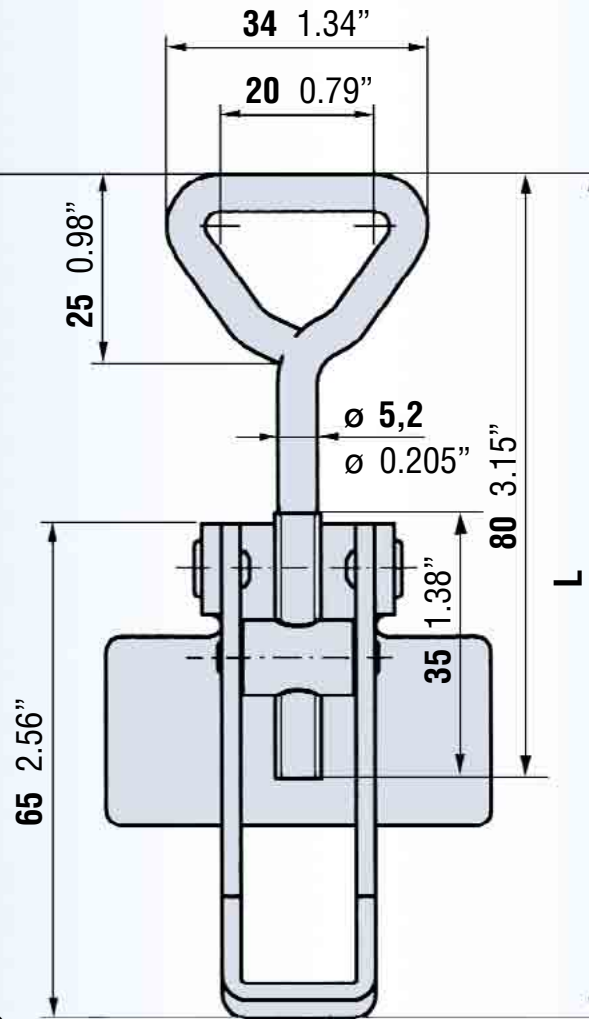
# 702 T

L = 94 - 112 3.46" - 4.41"



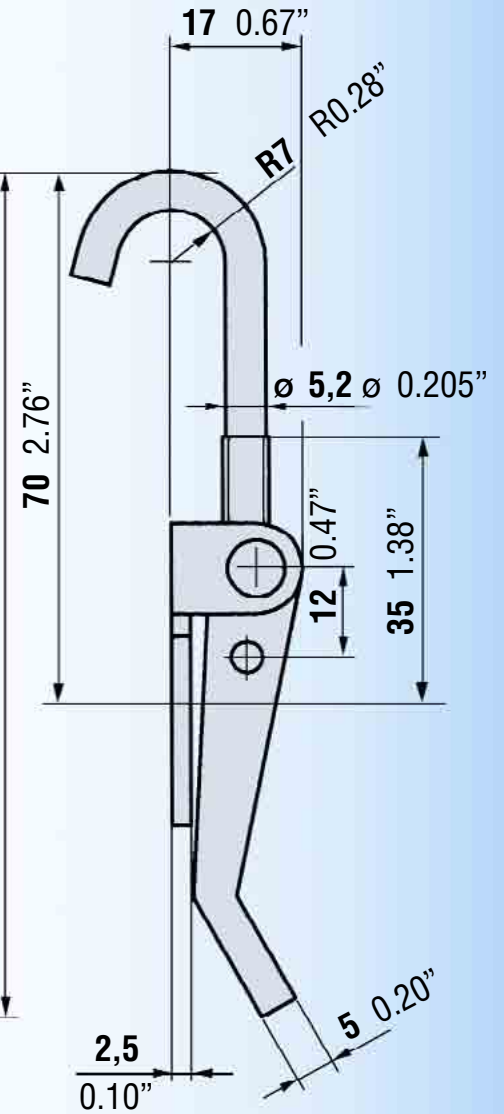
# 702

L = 98 - 122 3.86" - 4.80"



# 702 H

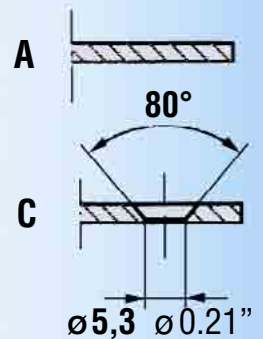
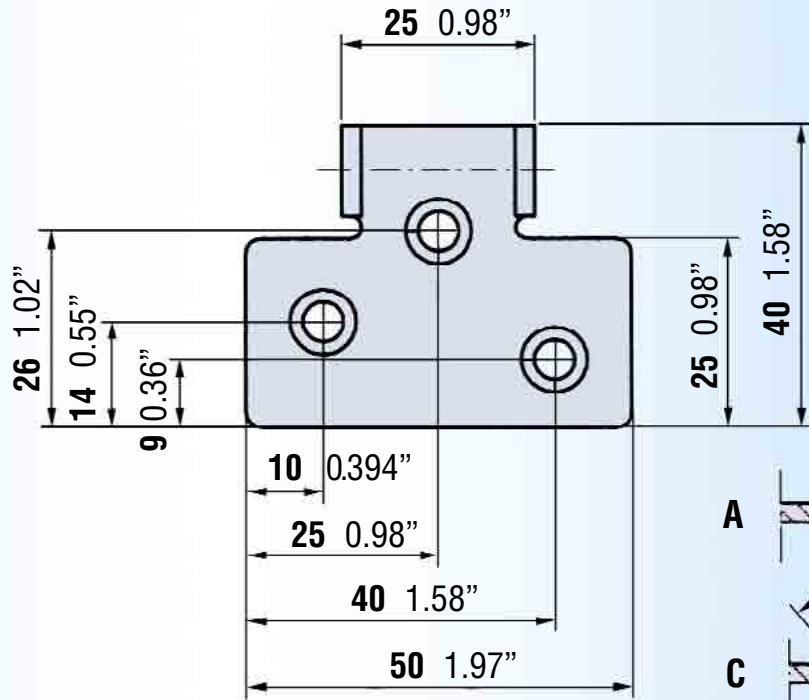
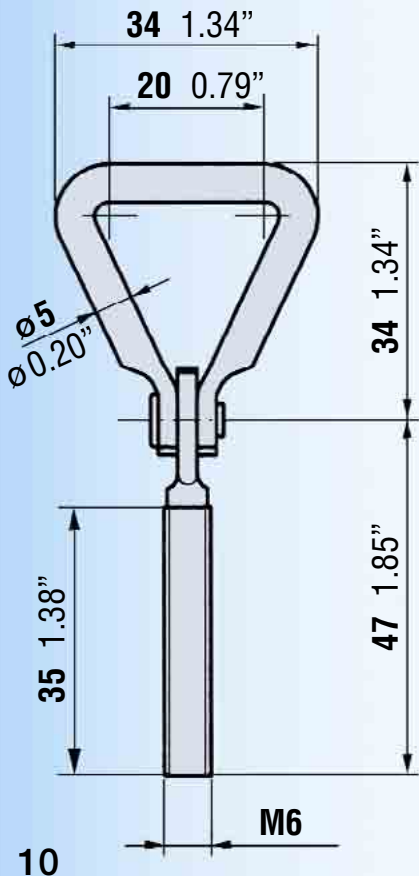
L = 88 - 112 3.46" - 4.41"



# 702

Hinged screw-loop

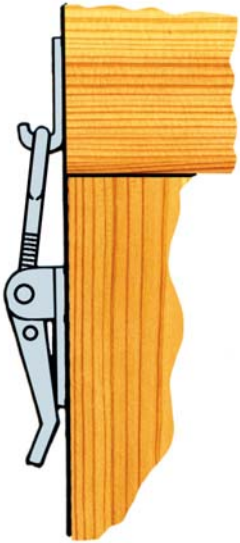
L = 98 - 122 3.86" - 4.80"



# 703-704

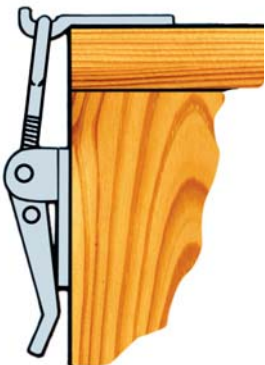
## Strikers

16, 19, 22 or 41



## Strikers

17 or 20



## Strikers,

see pages: 31-36

Hook-screw  
703



T-screw 703



703 C



703 L/C



703 L/C  
Rubber



704 L/C  
Safety catch,  
Stainless



Combinations		Capacity			Weight	
Catch	Striker	Recommended maximum load			Weight per 100 pcs.	
		Kp	N	Pounds	Kilos	Pounds
703 L/C	20, 22, 41	500	4905	1101	20,1	44.3
703 TL/C	16, 17	500	4905	1101	18,8	41.4
703 HL/C	-	150	1471	330	18,9	41.6
703 C	20, 22, 41	500	4905	1101	20,8	45.8
703 T/C	16, 17	500	4905	1101	19,4	42.7
703 H/C	-	150	1471	330	19,5	43.0
703 L/C Rubber	16				16,7	36.8
703 C Rubber	16				17,4	38.3
704 L/C	20, 22, 41	500	4905	1101	22,8	50,2

# 703 T

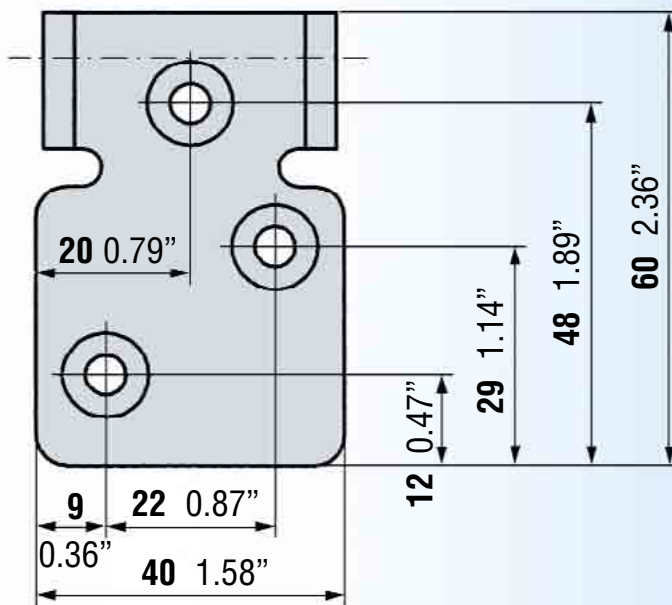
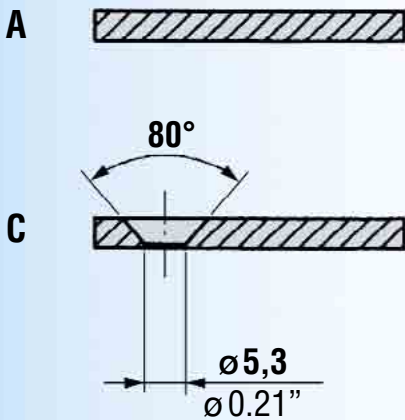
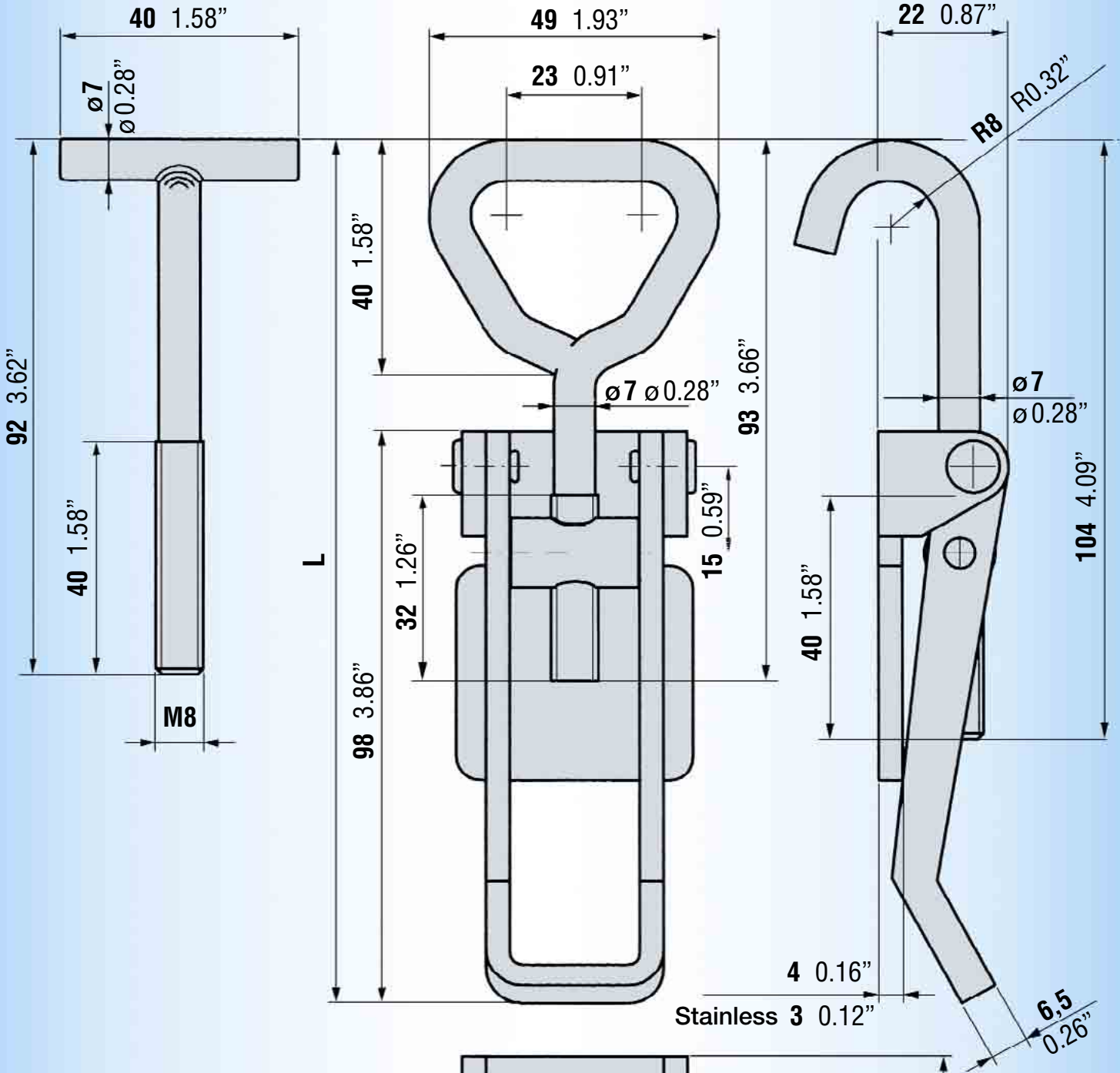
L = 135-163 5.31"-6.42"

# 703

L = 145-164 5.71"-6.46"

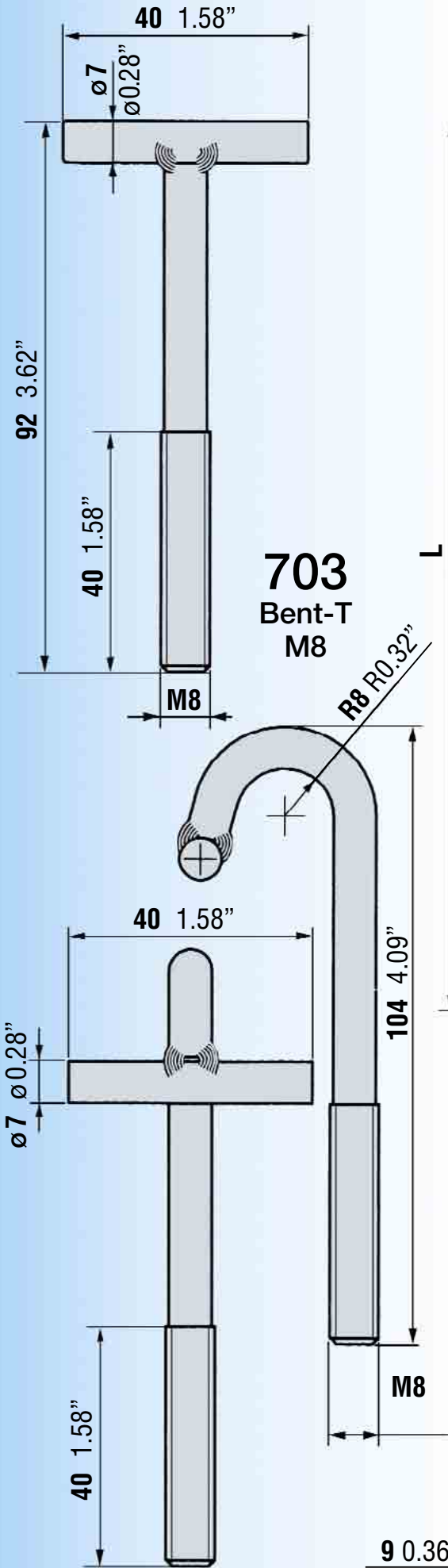
# 703 H

L = 145-174 5.71"-6.85"



# 703 TL

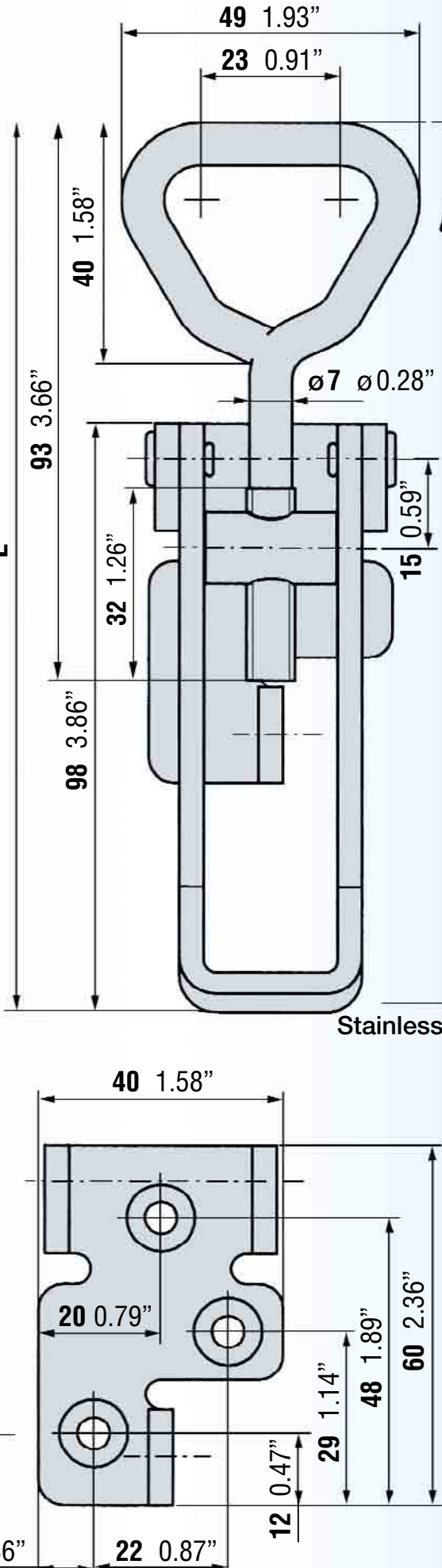
L = 149-164 5.87"-6.46"



**703**  
Bent-T  
M8

# 703 L

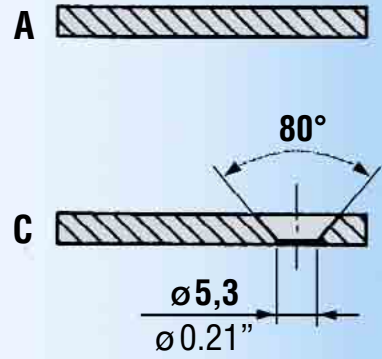
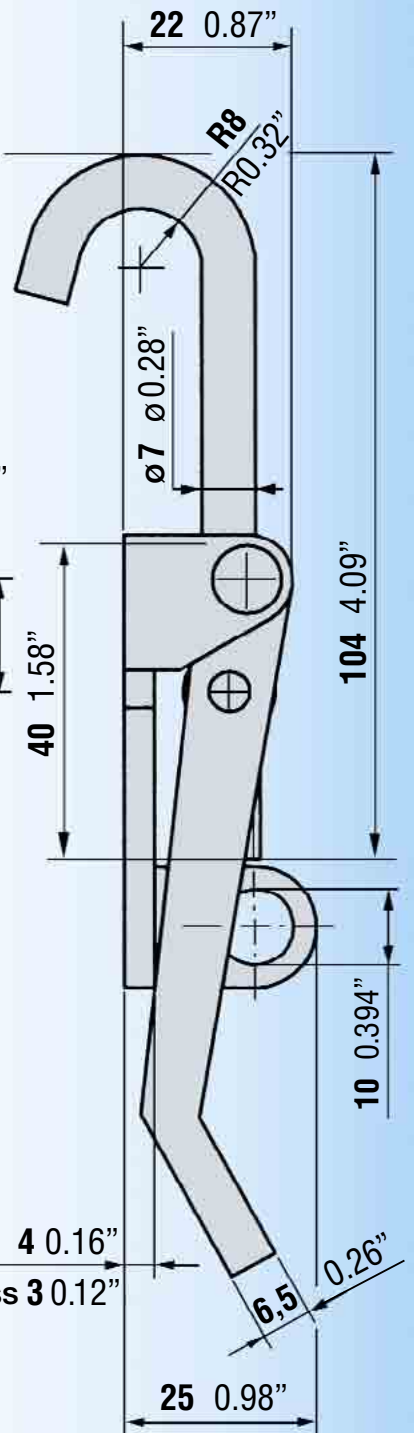
L = 149-164 5.87"-6.46"



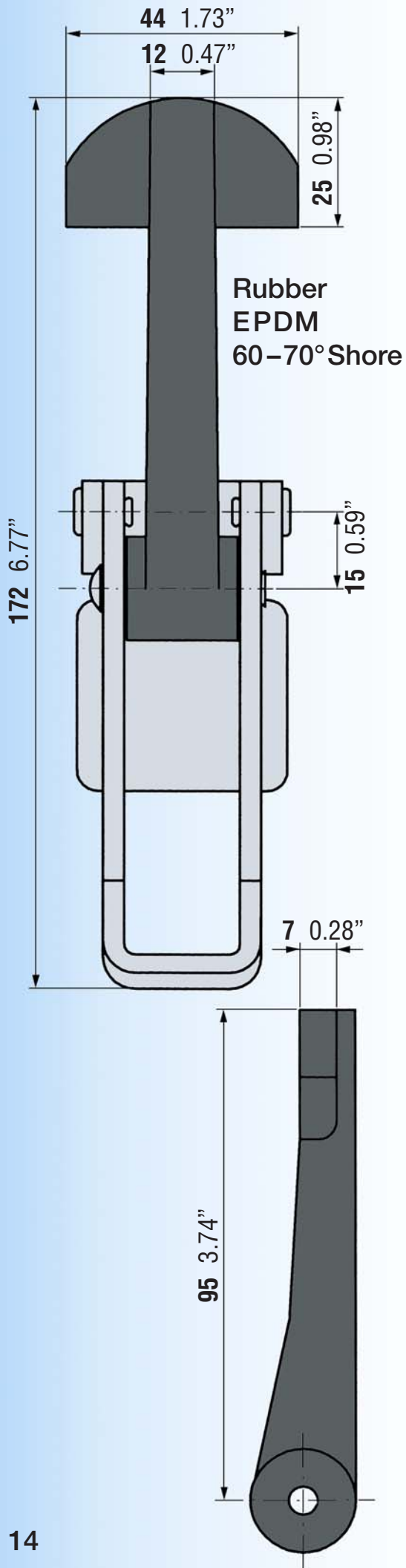
Stainless 30.12

# 703 HL

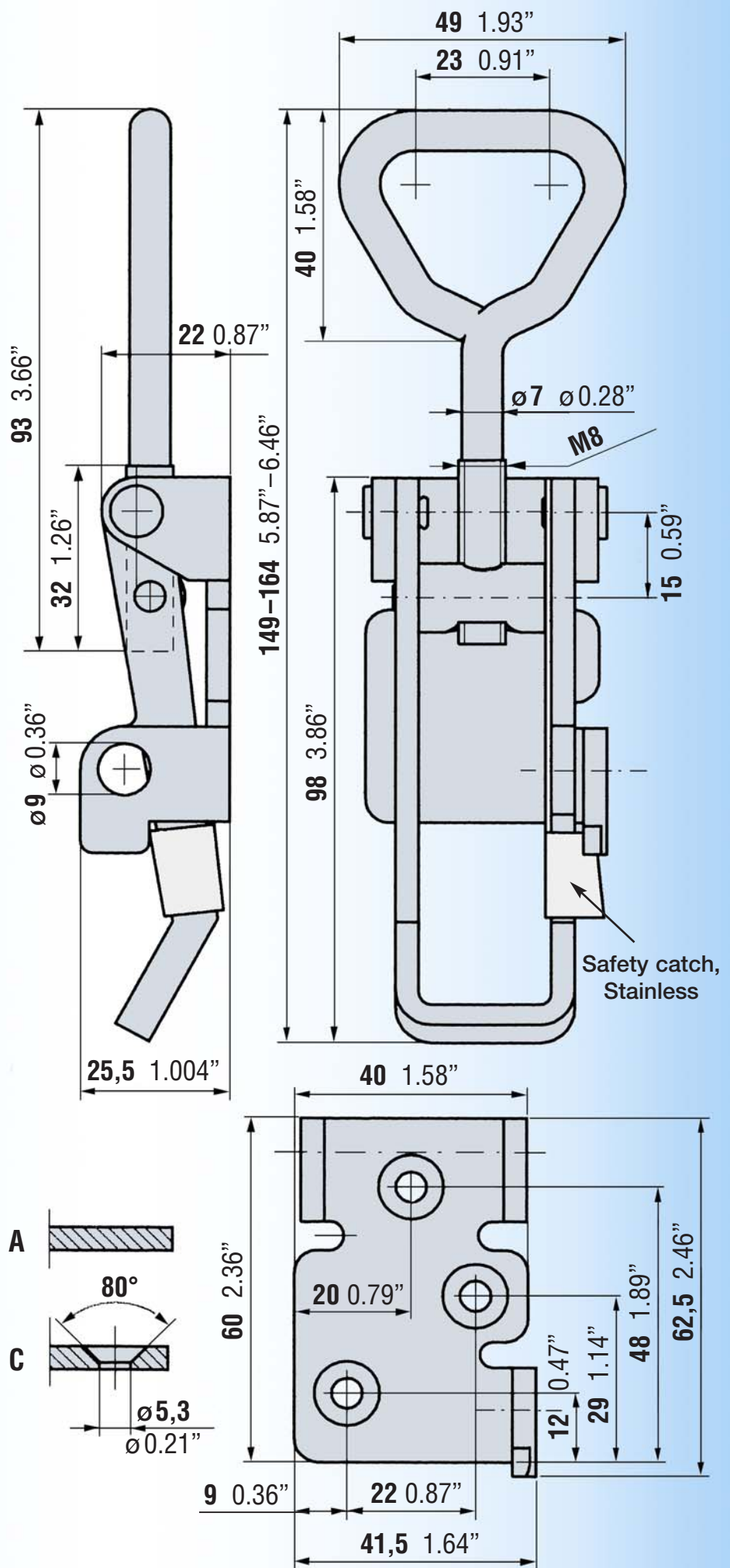
L = 159-174 6.26"-6.85"



# 703 Rubber



# 704 L/C With safety catch



# Innovations



**41 C**  
Black chromate

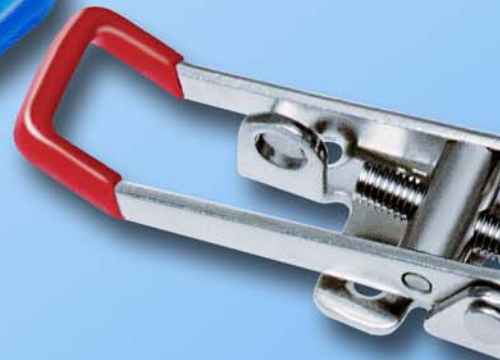
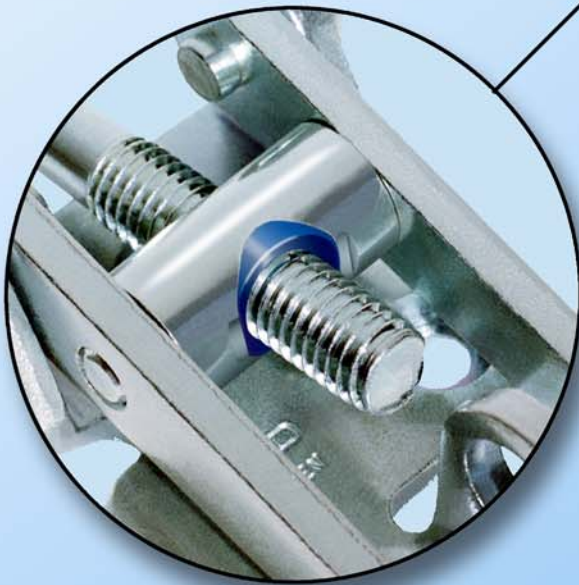


**704 L/C**, Black chromate,  
with friction screw-loop  
and safety catch  
Patent pending



**703 L/C**, Zinc-plated,  
with friction screw-loop  
Patent pending

**703 L/C**, Zinc-plated,  
plastic-coated handle  
Registered design



## Heavy Duty

**804 TL/C**

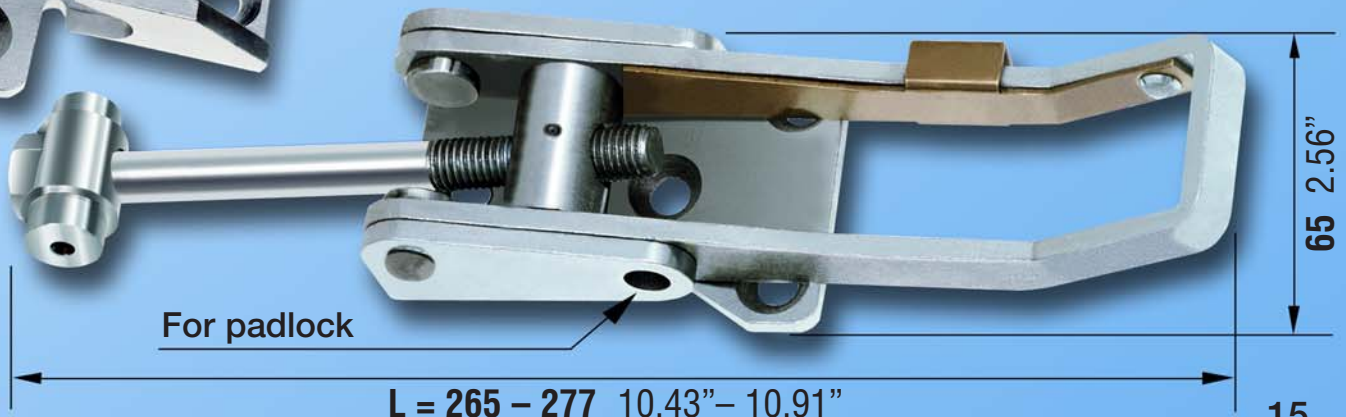
Registered design

**Capacity:**  
1600 Kp  
16000 N  
3500 Pound

**Weight:** 1.05 kilo  
(Fastener + Striker)  
**Materials:** Zinc-plated  
steel or brightened  
316 stainless



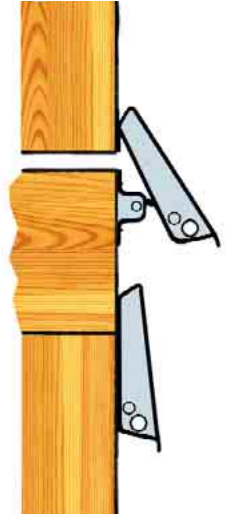
**42 C**



For padlock

L = 265 - 277 10.43" - 10.91"

15



**Strikers**  
94, 95 or 99

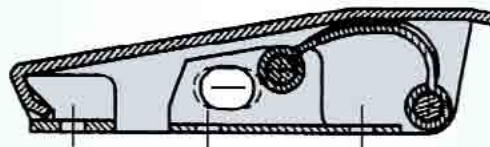
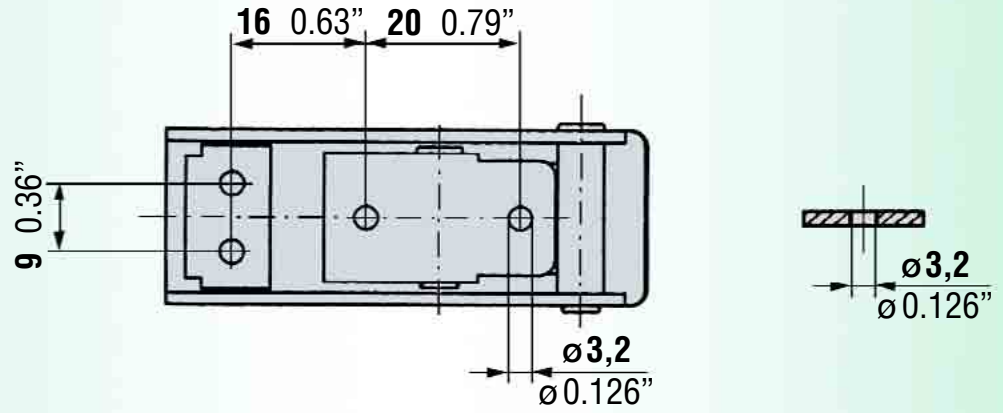


**Strikers,**  
see page: 31–36

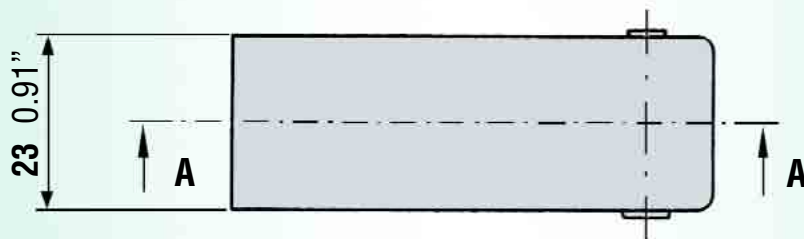
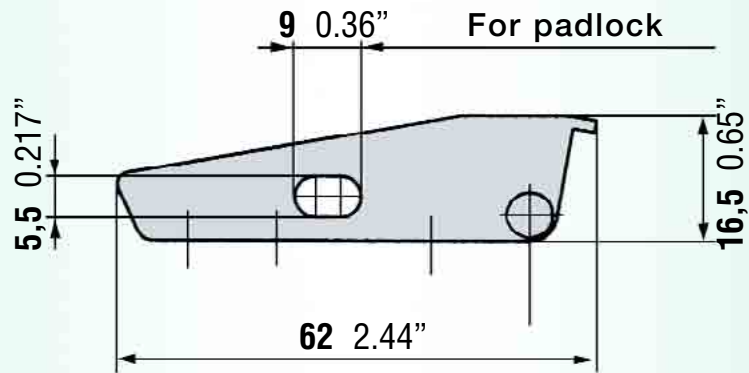
Combinations		Capacity			Weight	
Catch	Striker	Recommended maximum load			Weight per 100 pcs.	
		Kp	N	Pounds	Kilos	Pounds
903 XB	94	75	736	165	4,9	10.8
905 XC	95	100	981	220	7,6	16.7
909 XC	99	125	1226	275	12,3	27.1



# 903 XB

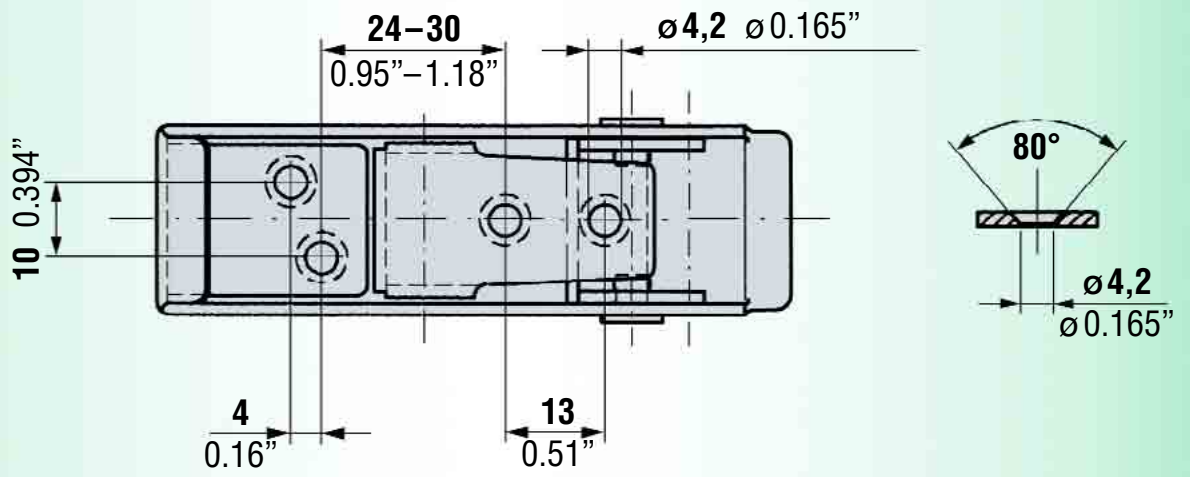


A-A



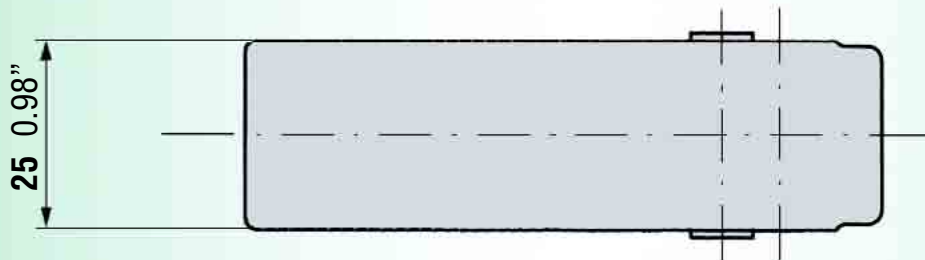
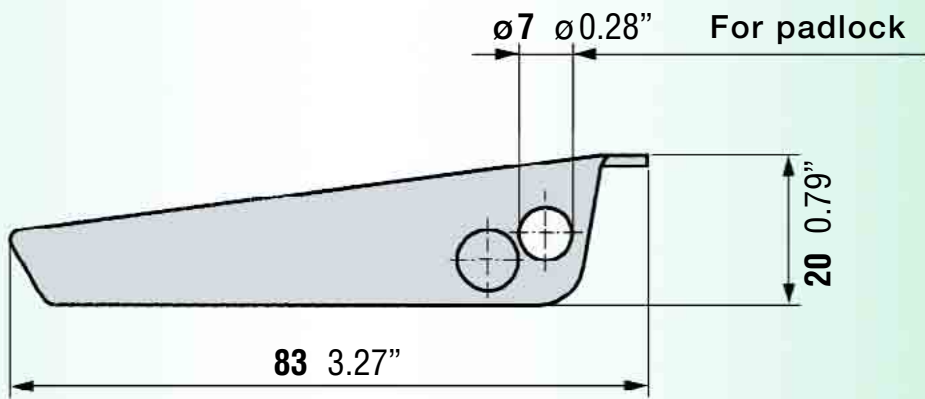
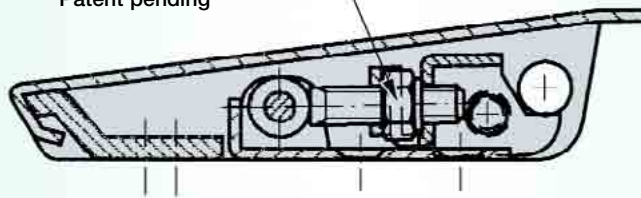
Sheet thickness: 1,5 0.06"

# 905 XC



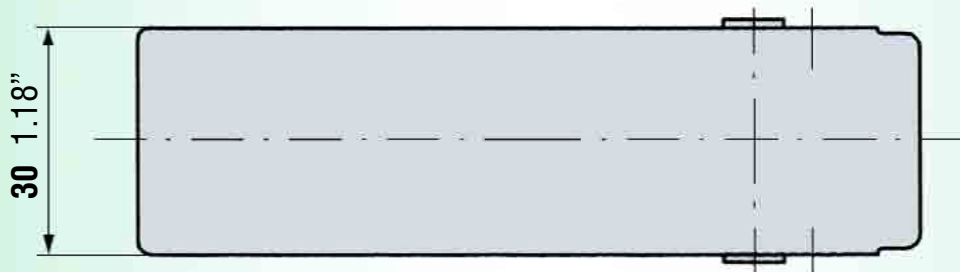
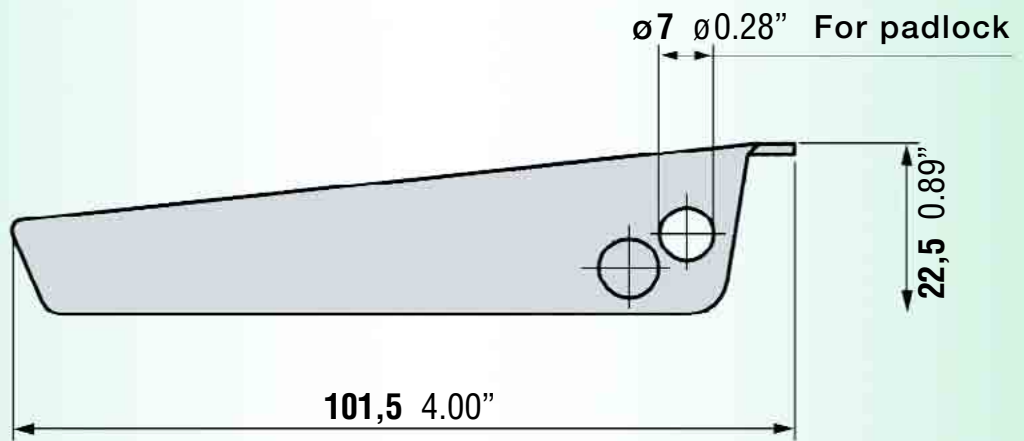
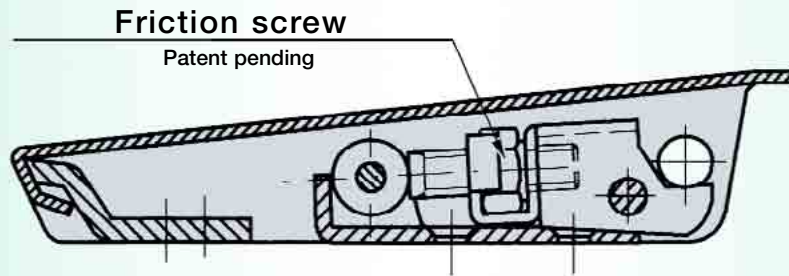
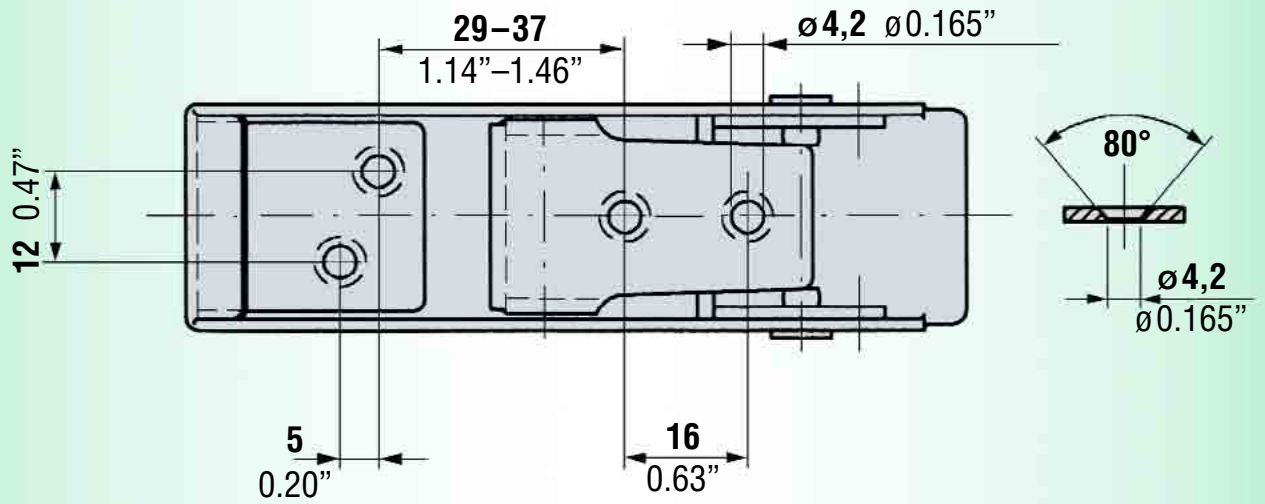
Friction screw

Patent pending



Sheet thickness: 1,5 0.06"

# 909 XC

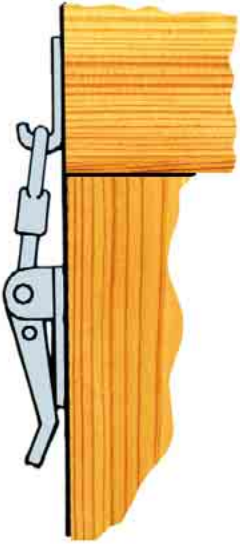


Sheet thickness: 1,5 0.06"

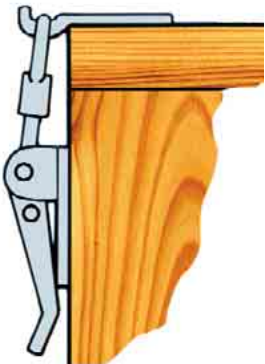
Powder-coated



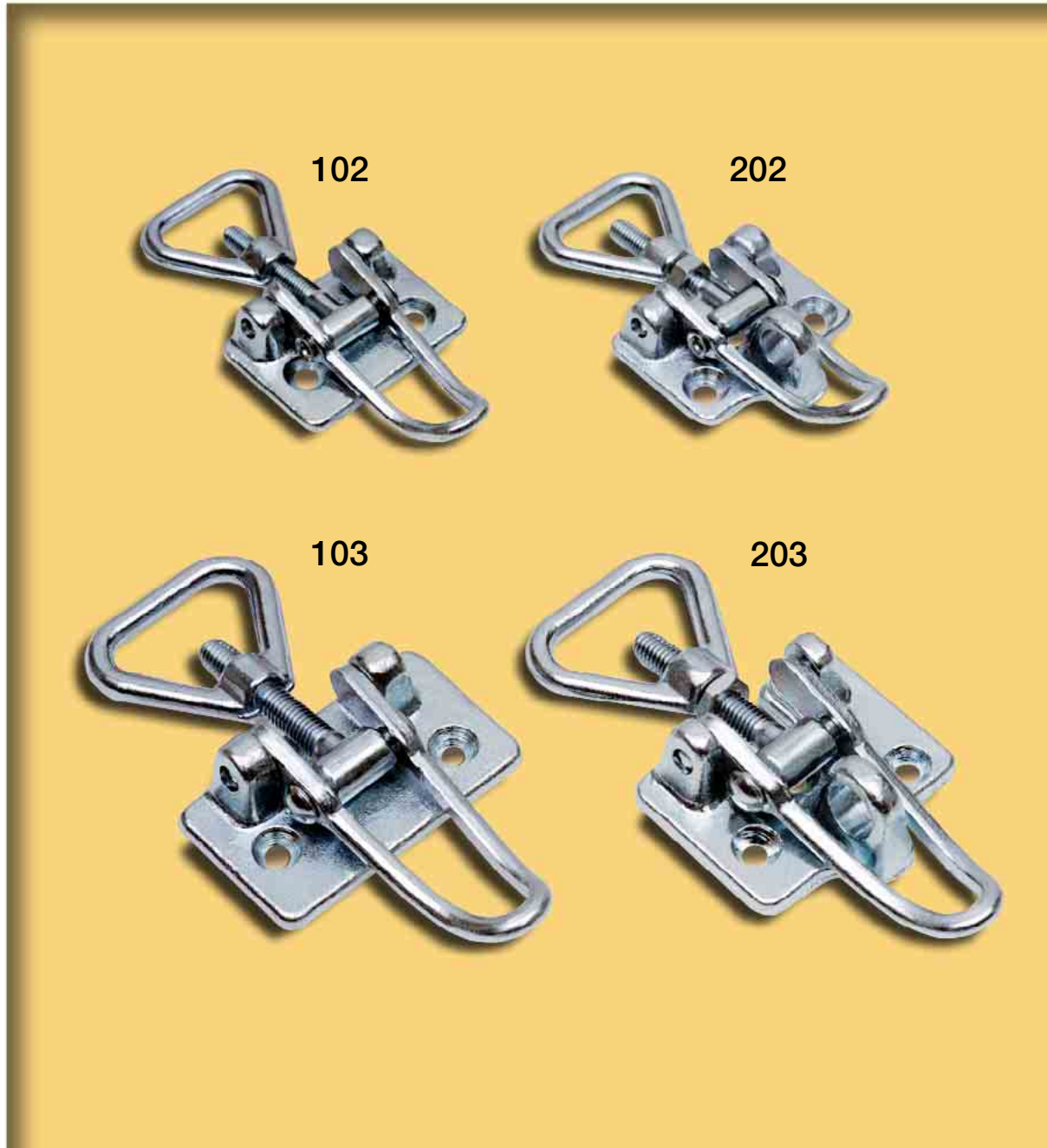
Strikers  
22, 31 or 41



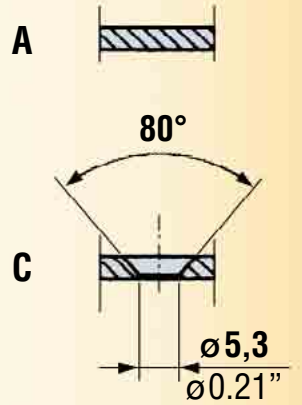
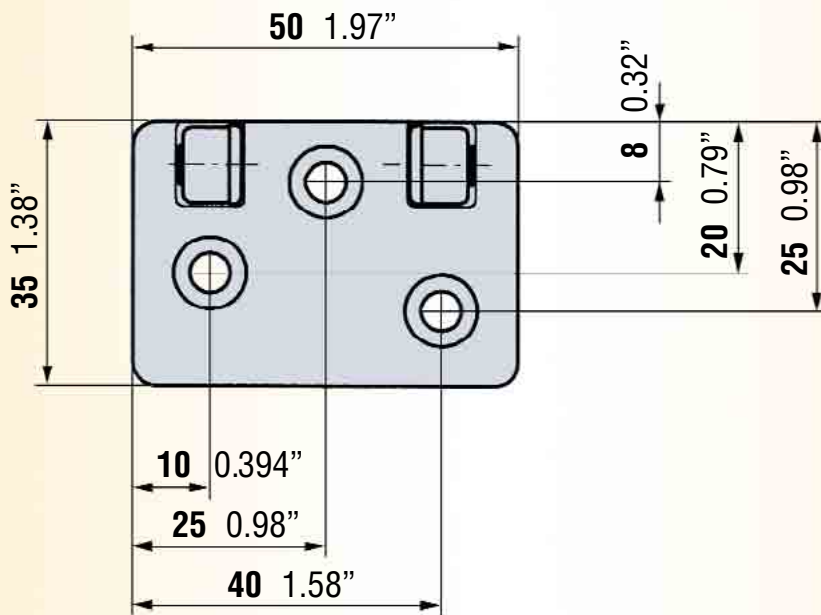
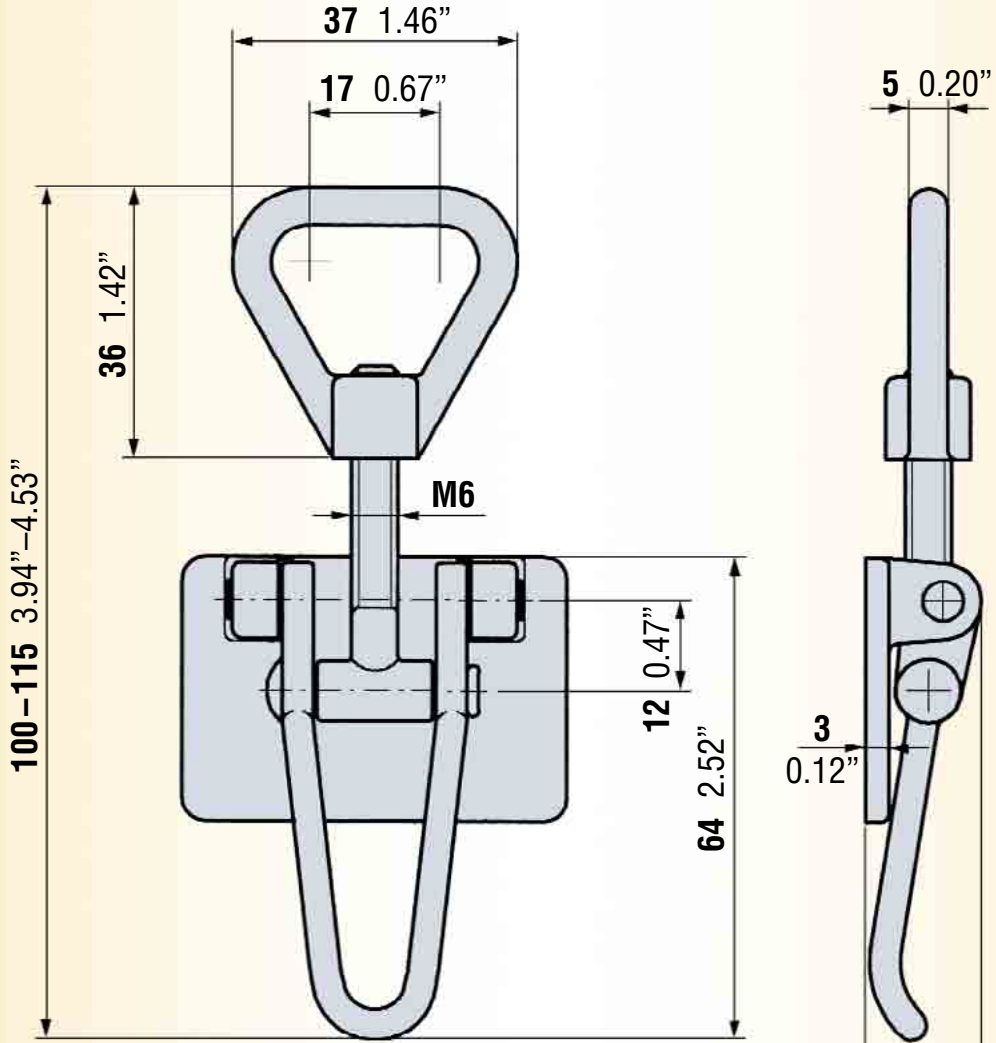
Strikers  
10 or 20

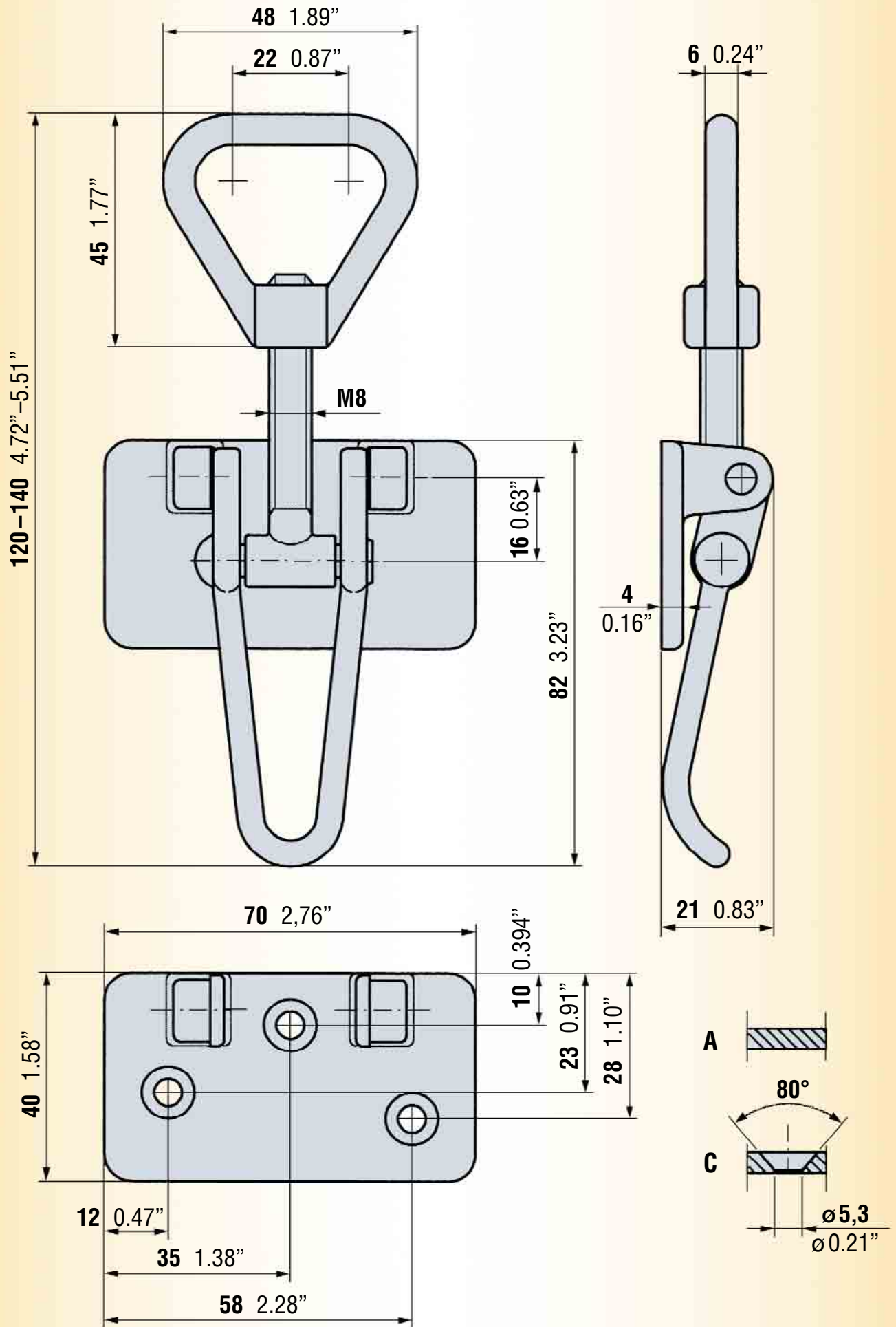


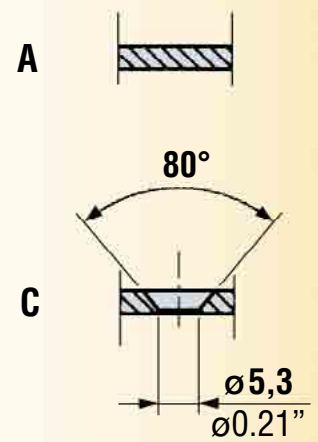
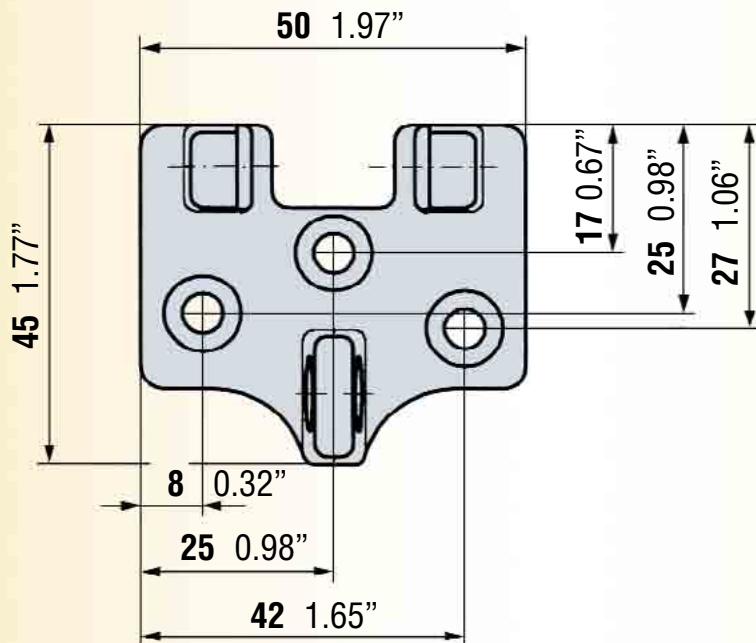
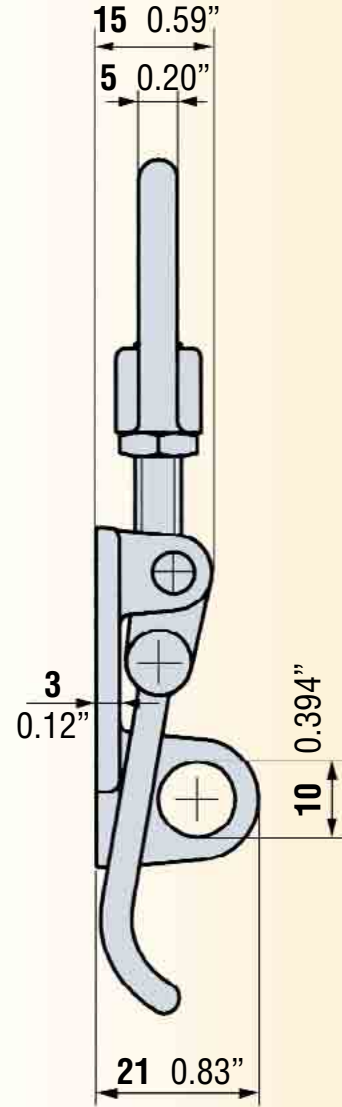
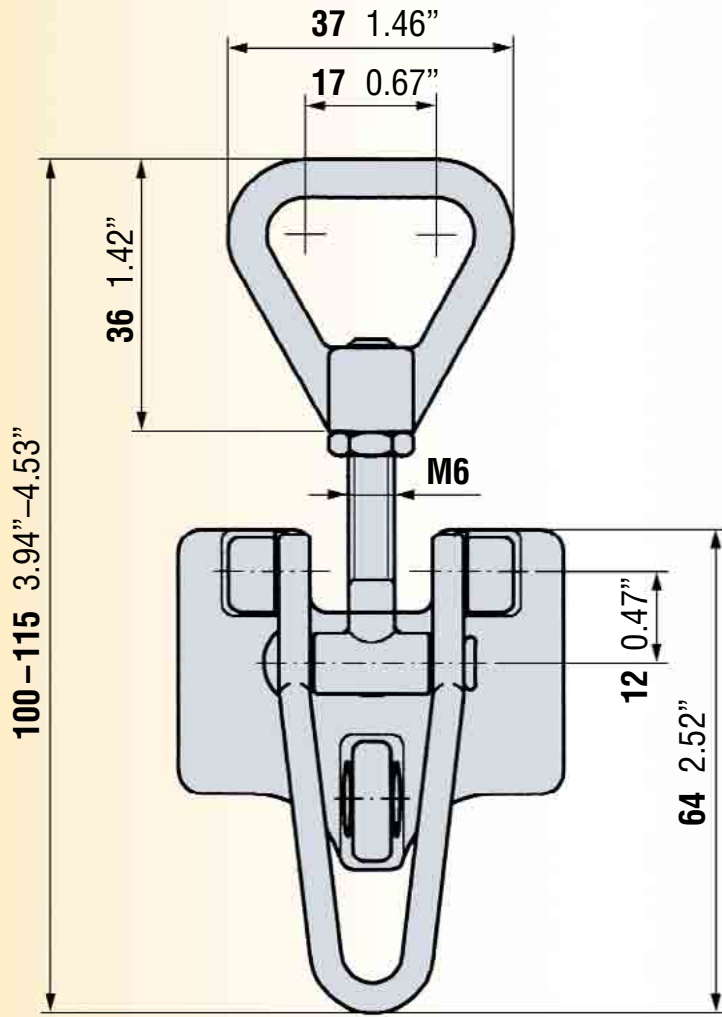
Strikers,  
see pages: 31-36



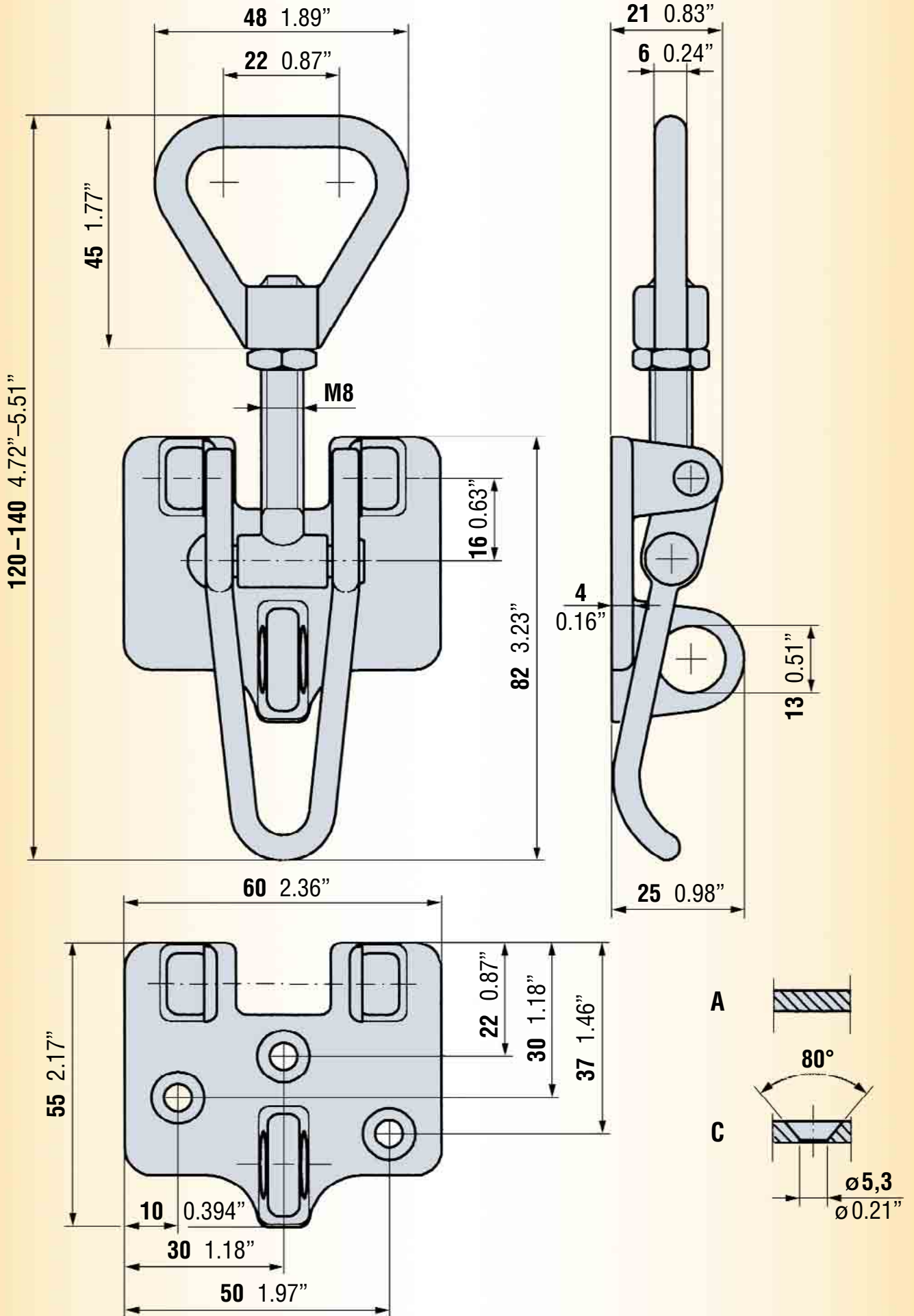
Combinations		Capacity			Weight	
Catch	Striker	Recommended maximum load			Weight per 100 pcs.	
		Kp	N	Pounds	Kilos	Pounds
102	10, 31	300	2943	660	10,2	22.5
103	20, 22, 41	500	4905	1101	21,2	46.7
202	10, 31	300	2943	660	11,8	26.0
203	20, 22, 41	500	4905	1101	23,0	50.7



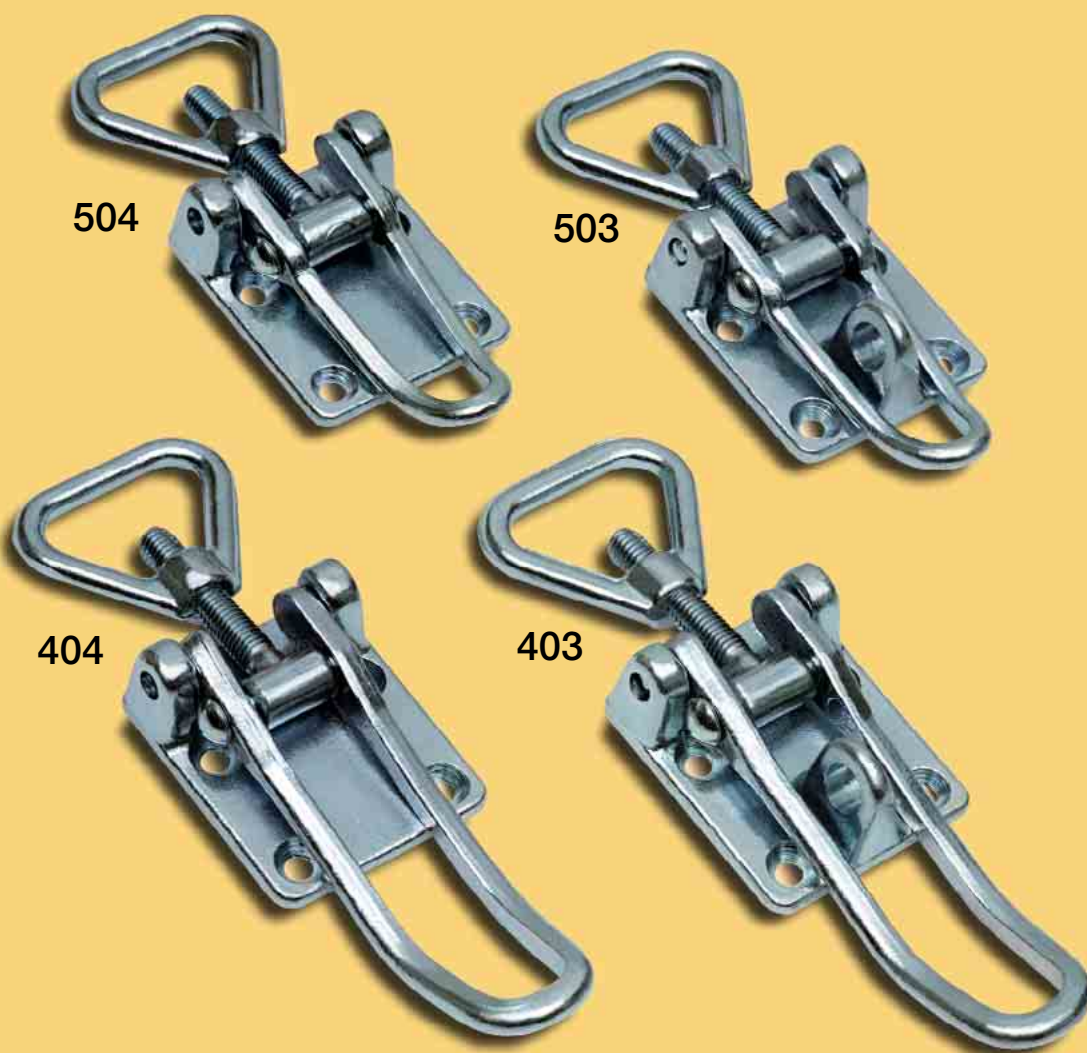








# 400-500



Strikers  
22 or 41



Striker  
20

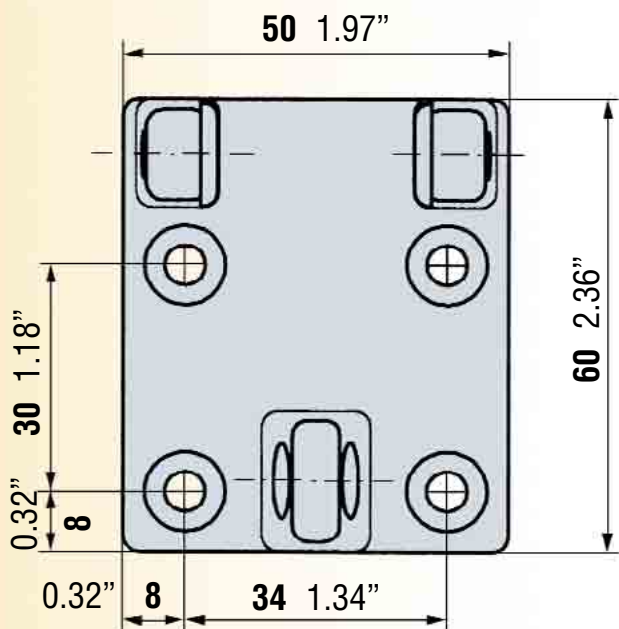
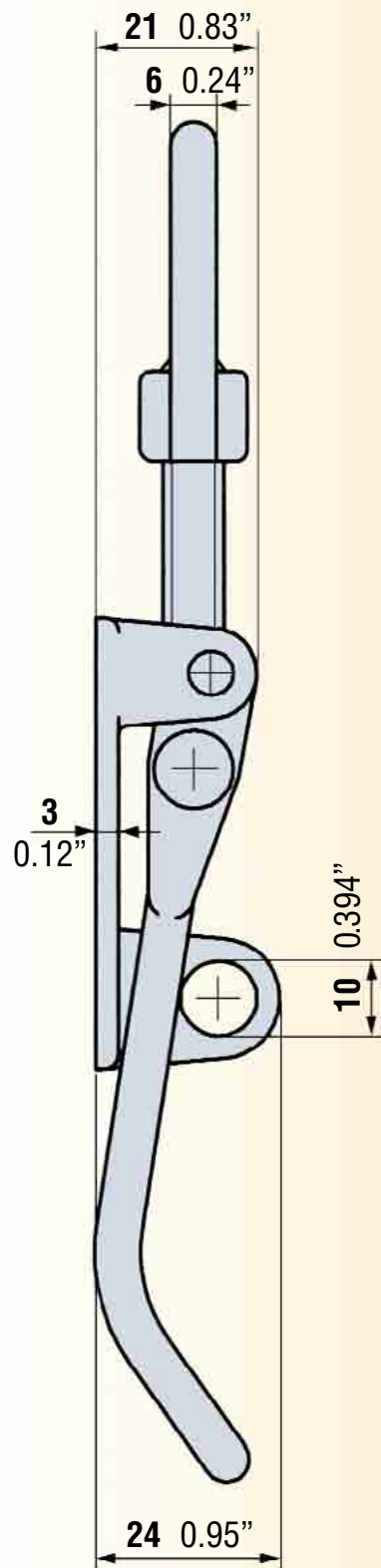
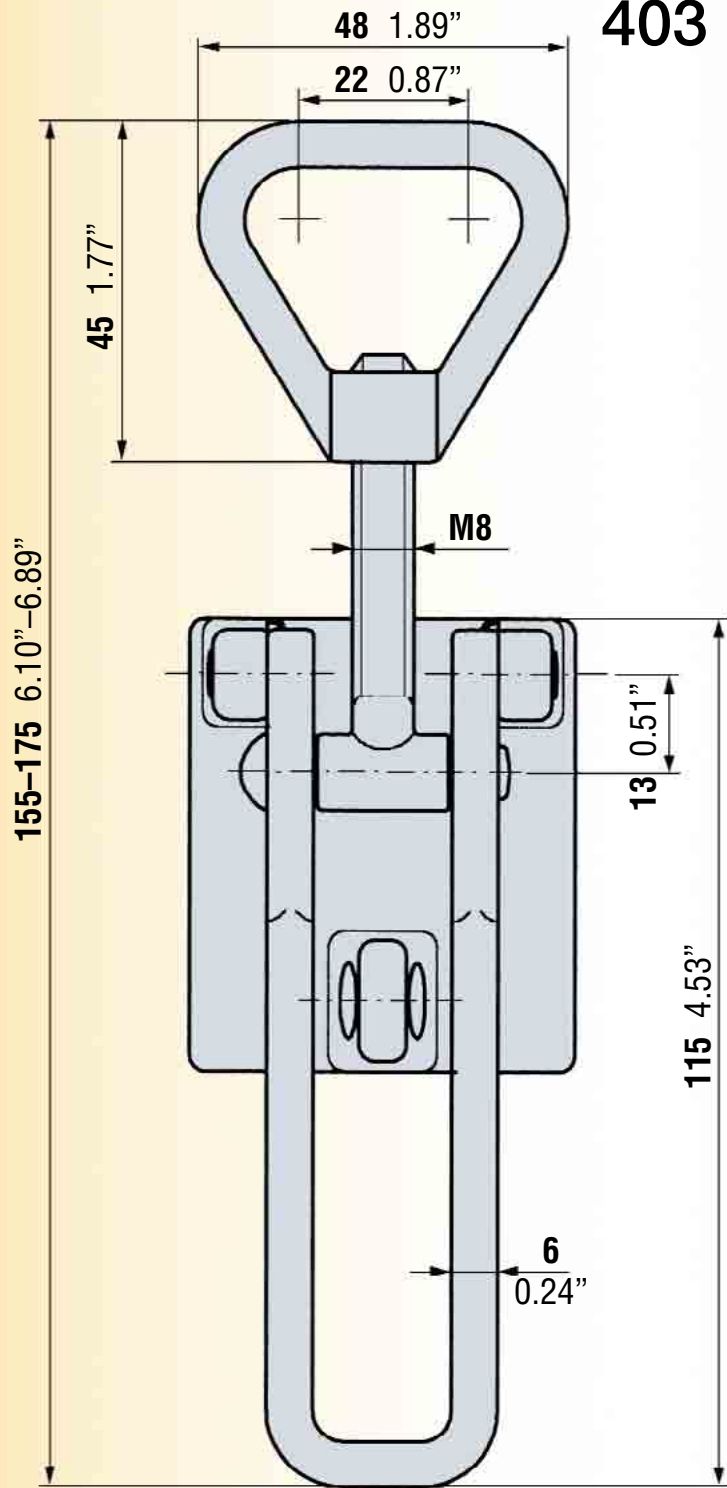


Strikers,  
see pages: 31 -36

Combinations		Capacity			Weight	
Catch	Striker	Recommended maximum load			Weight per 100 pcs.	
		Kp	N	Pounds	Kilos	Pounds
403	20, 22, 41	600	5886	1321	25,6	56.4
404	20, 22, 41	600	5886	1321	23,4	51.5
503	20, 22, 41	500	4905	1101	23,2	51.1
504	20, 22, 41	500	4905	1101	20,0	44.1



403

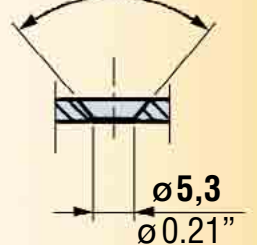


A

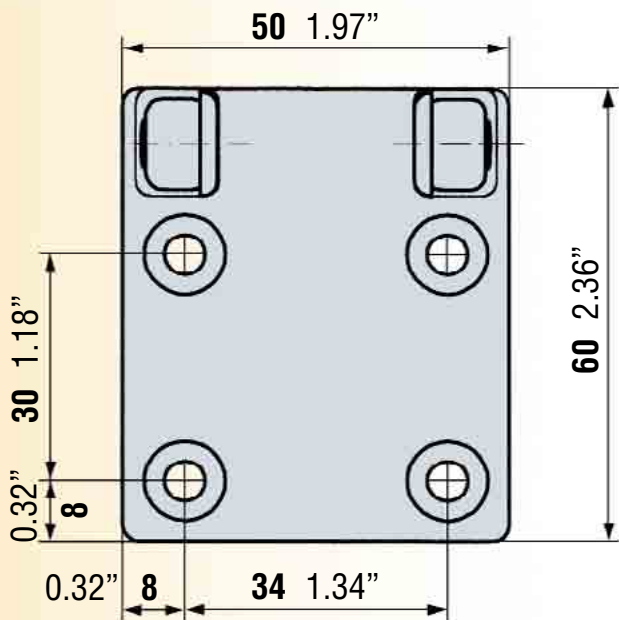
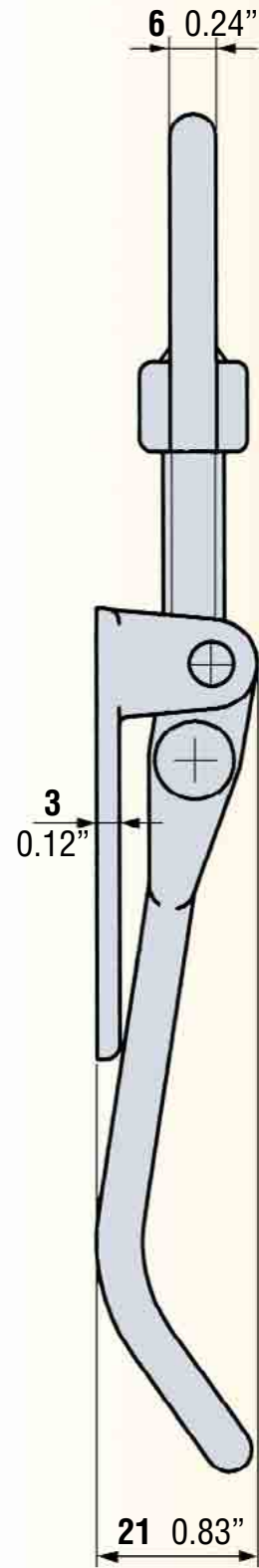
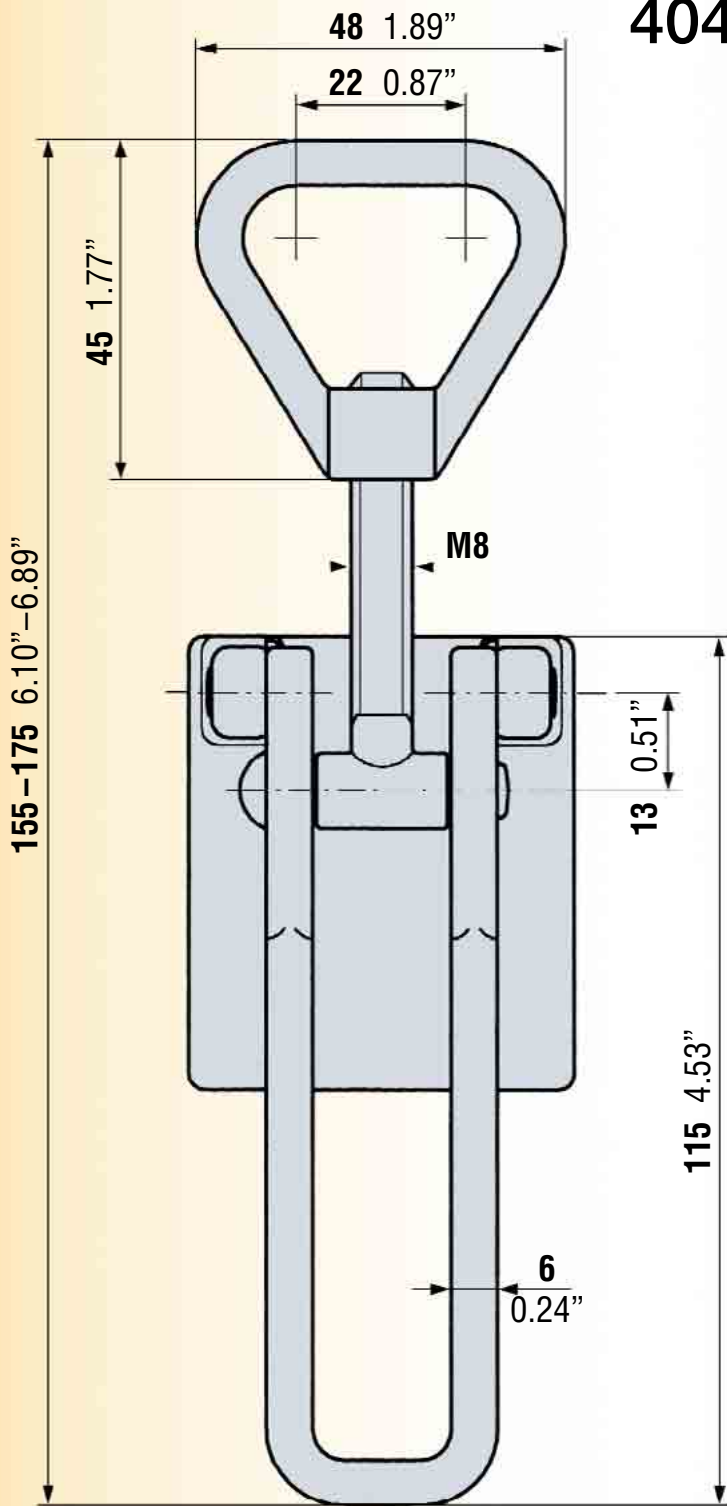


80°

C



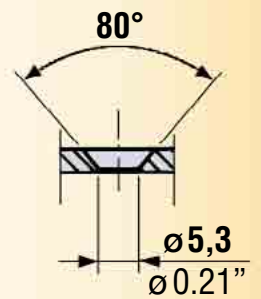
404

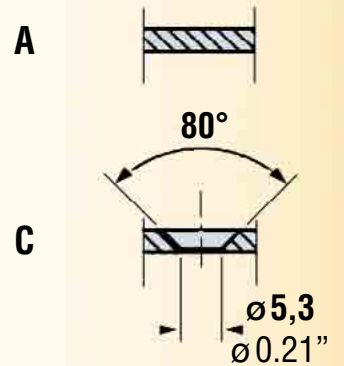
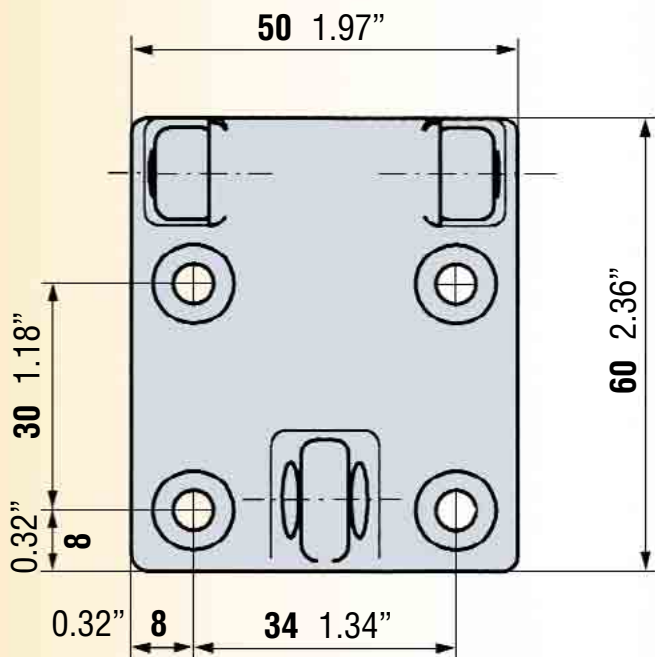
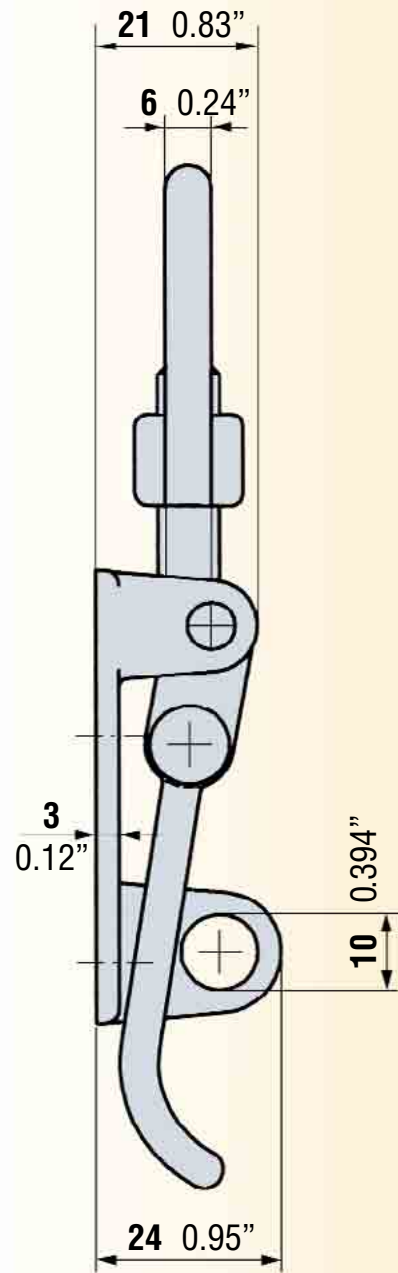
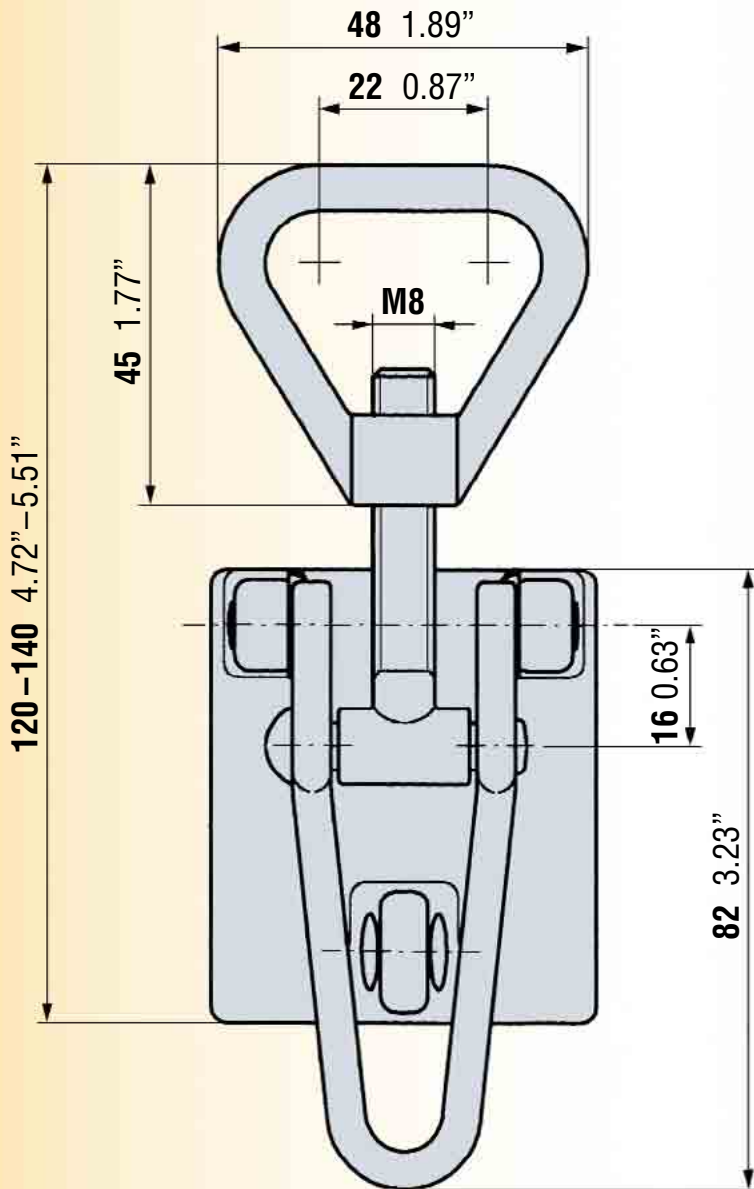


A

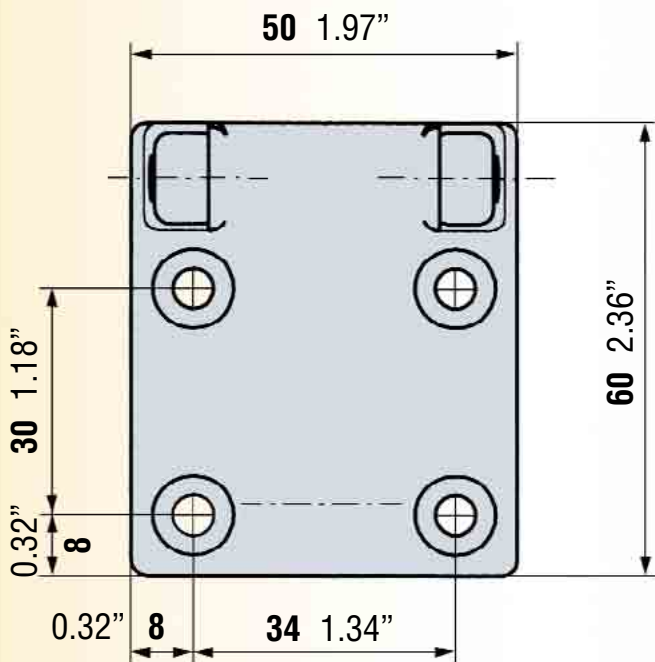
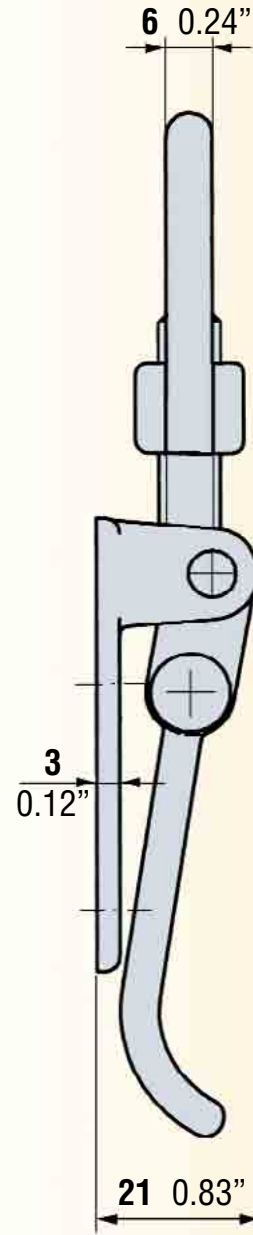
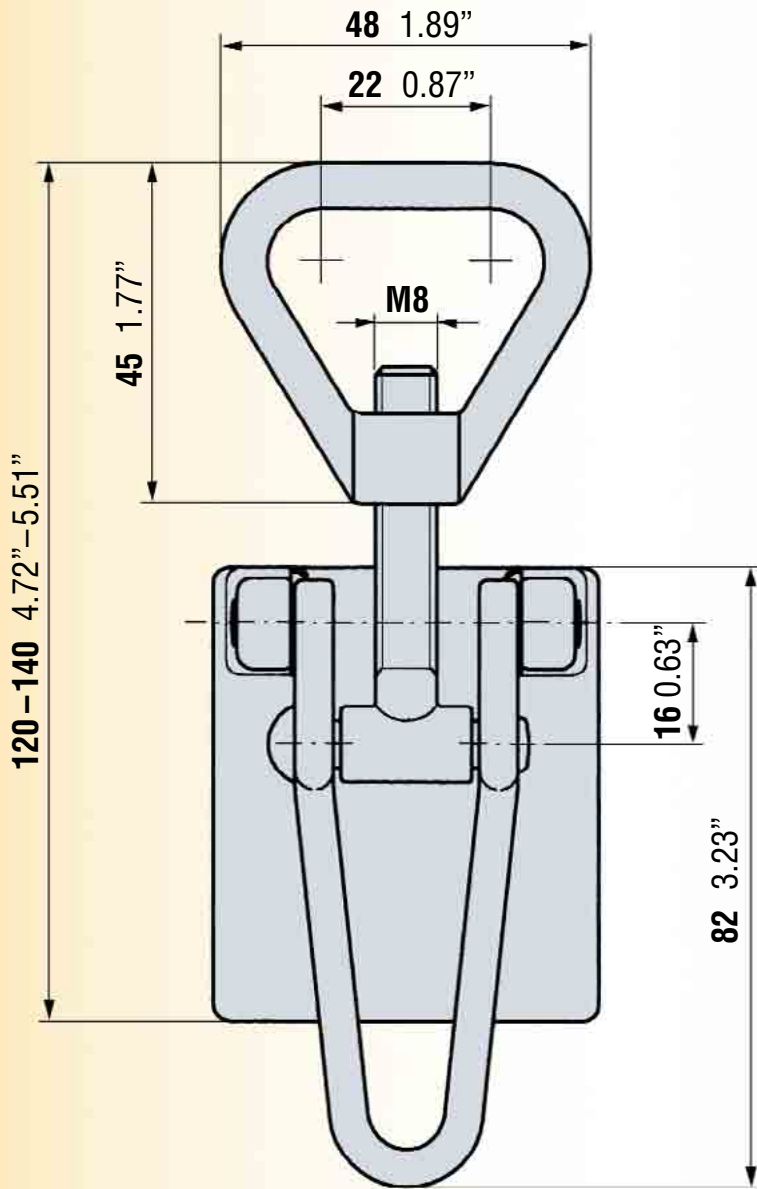


C

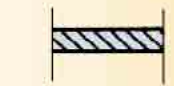




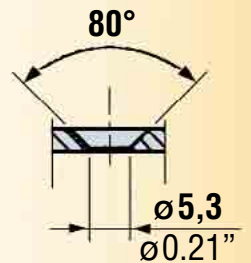
# 504



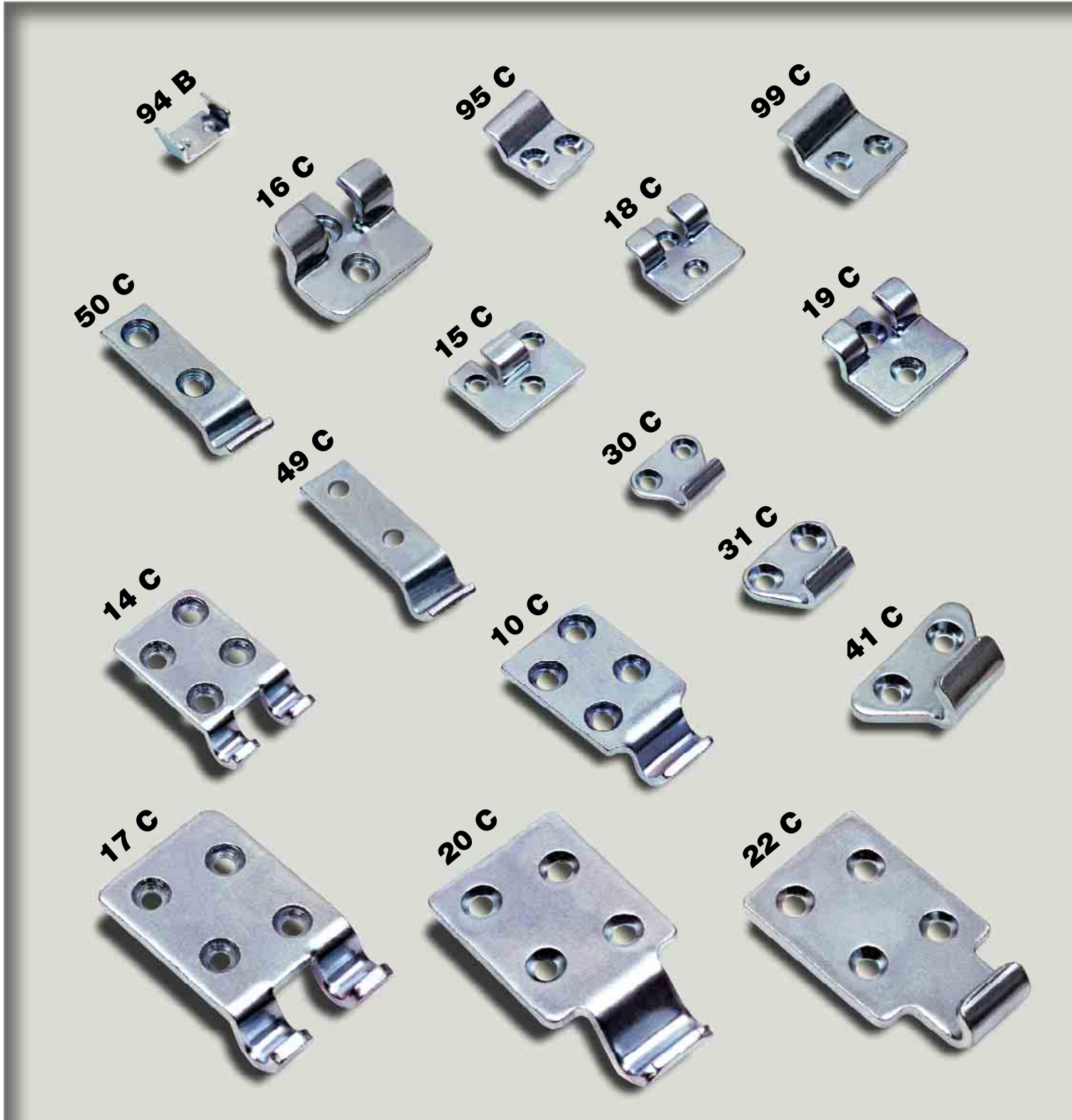
A



C



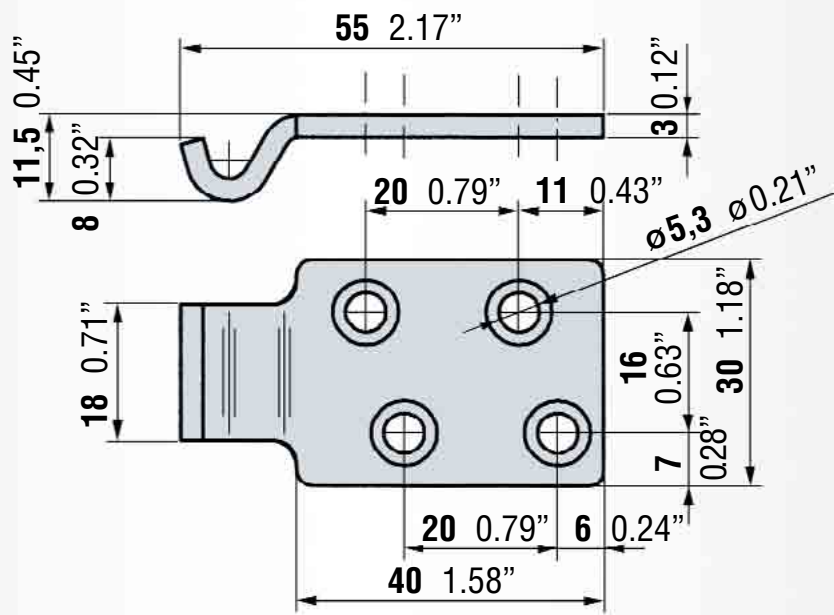
# Strikers



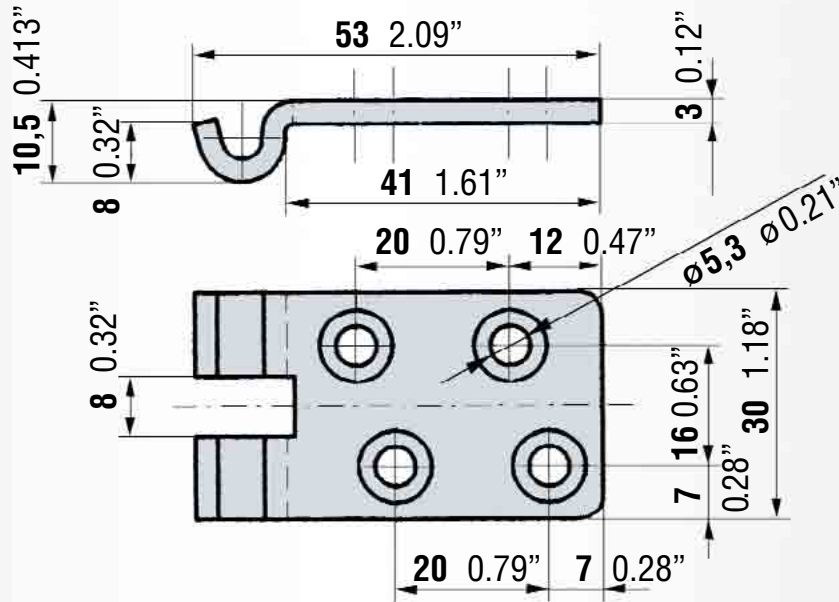
Weight per 100 pcs.																	
Catch	10	14	15	16	17	18	19	20	22	30	31	41	49	50	94	95	99
Kilos	3,2	3,7	1,0	3,9	7,4	1,0	2,1	7,6	7,4	0,6	1,3	3,2	1,8	1,6	0,3	1,1	1,6
Pounds	7.1	8.1	2.2	8.6	16.3	2.2	4.6	16.7	16.3	1.3	2.9	7.1	4.0	3.5	0.7	2.4	3.5



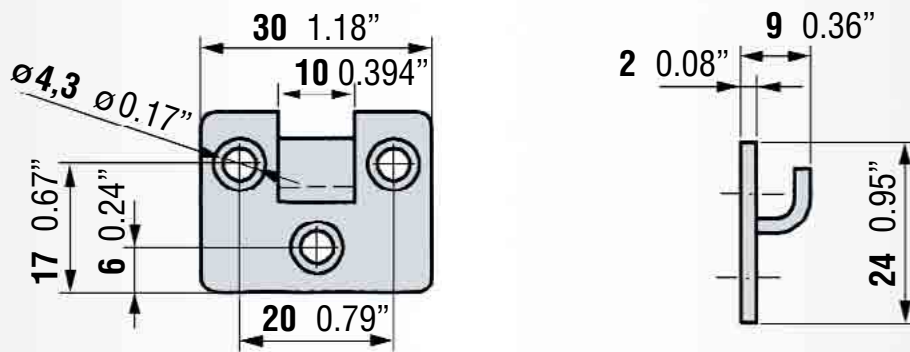
10 C



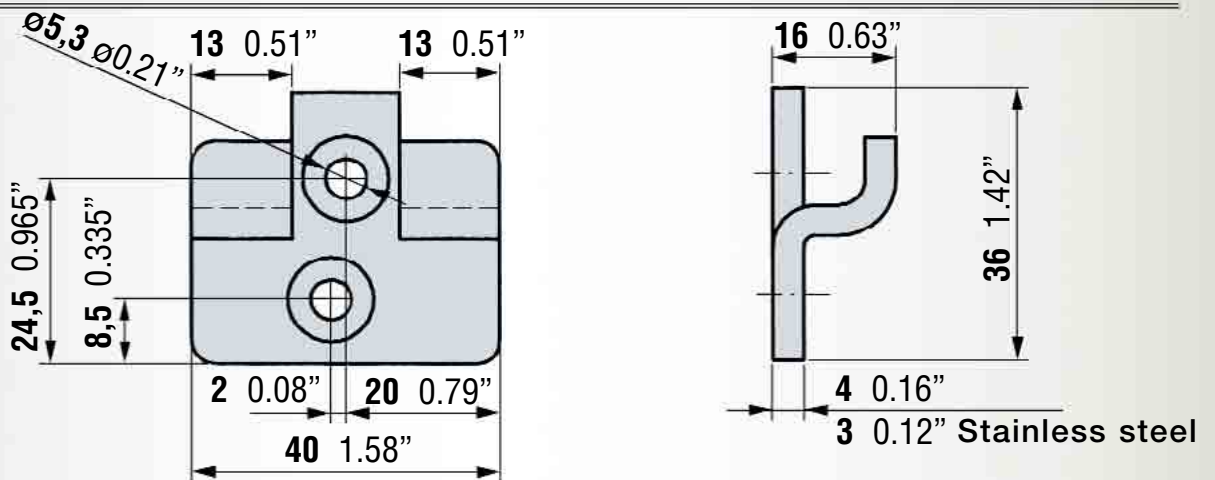
14 C



15 C

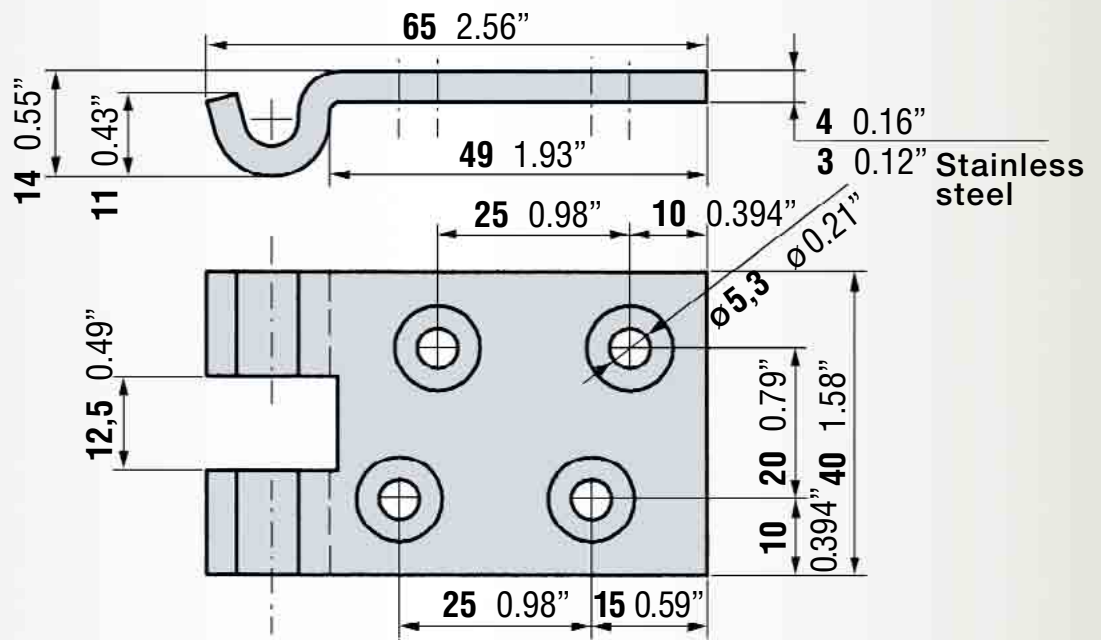


16 C

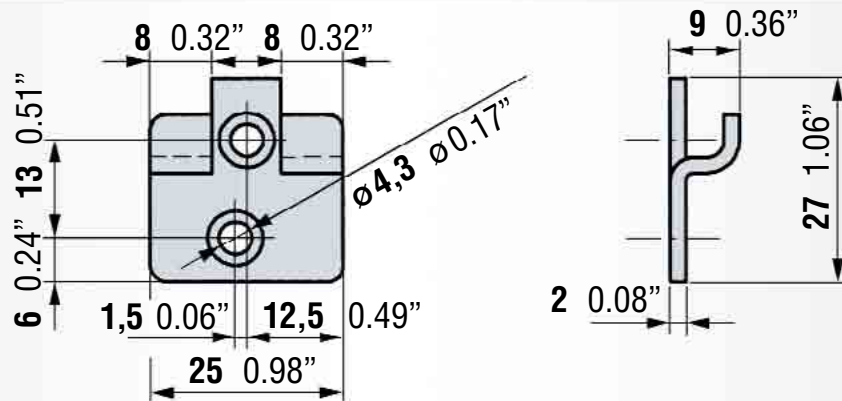




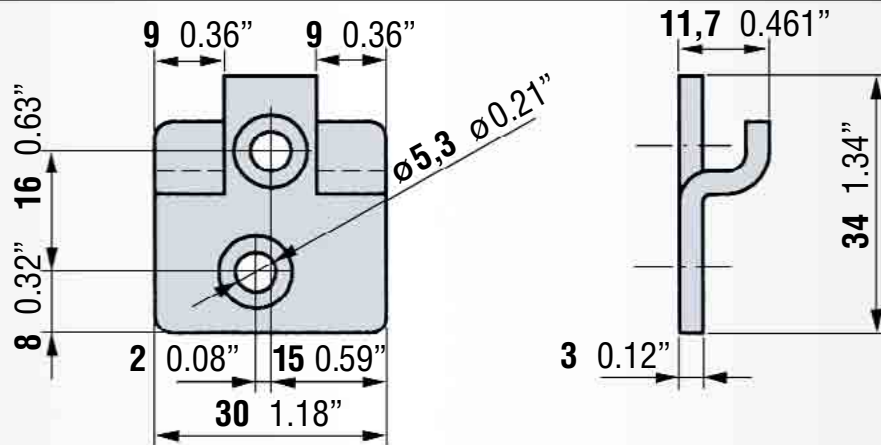
17 C



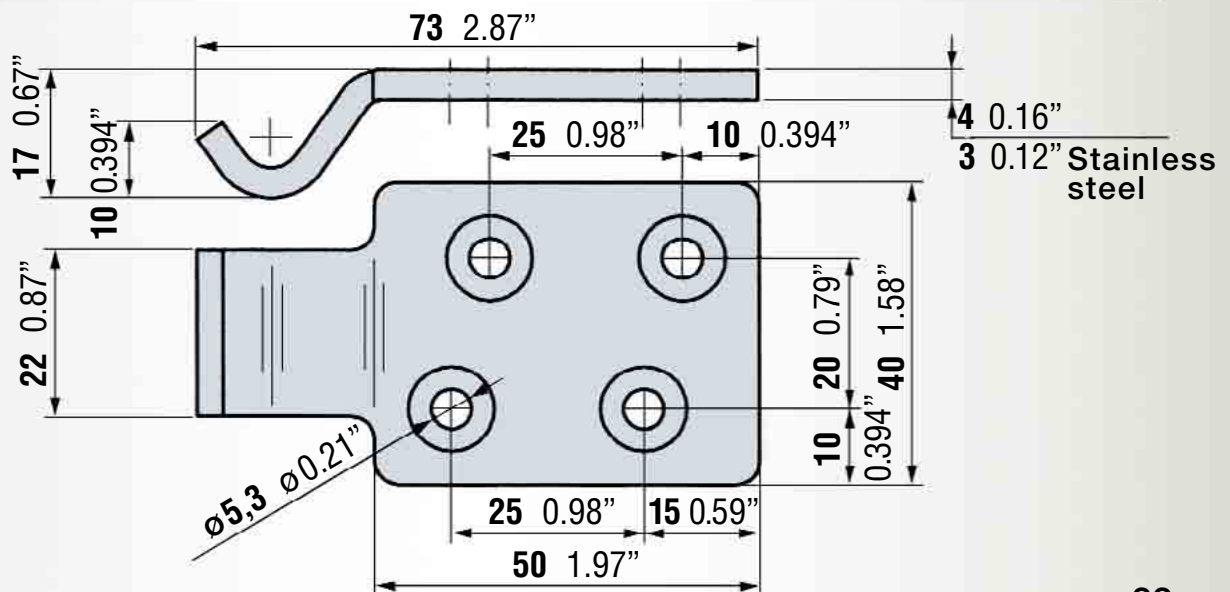
18 C



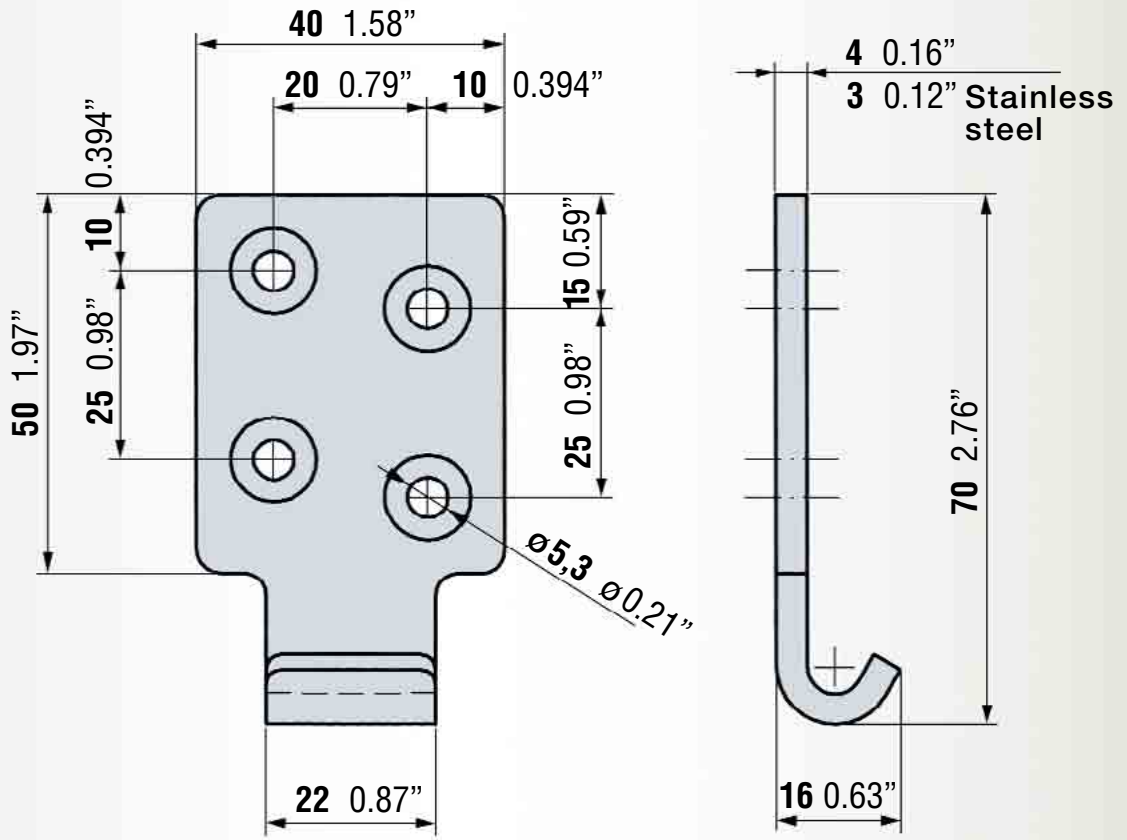
19 C



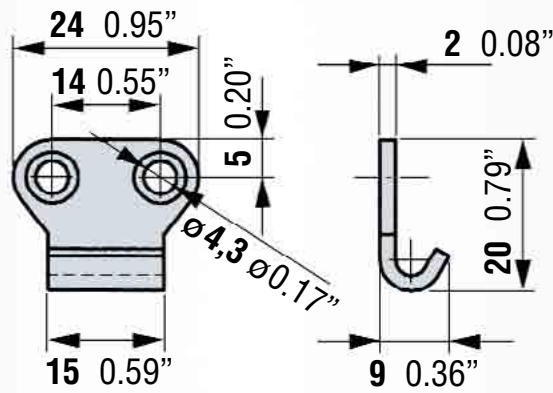
20 C



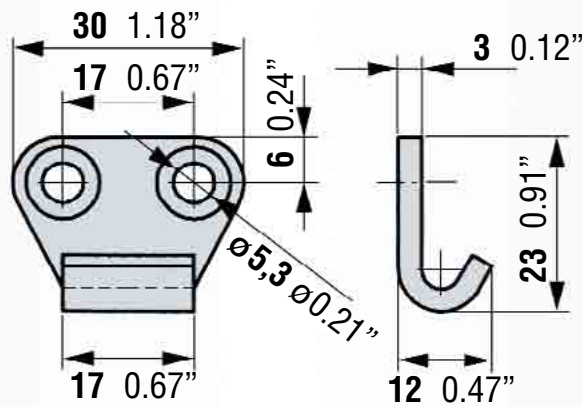
22 C



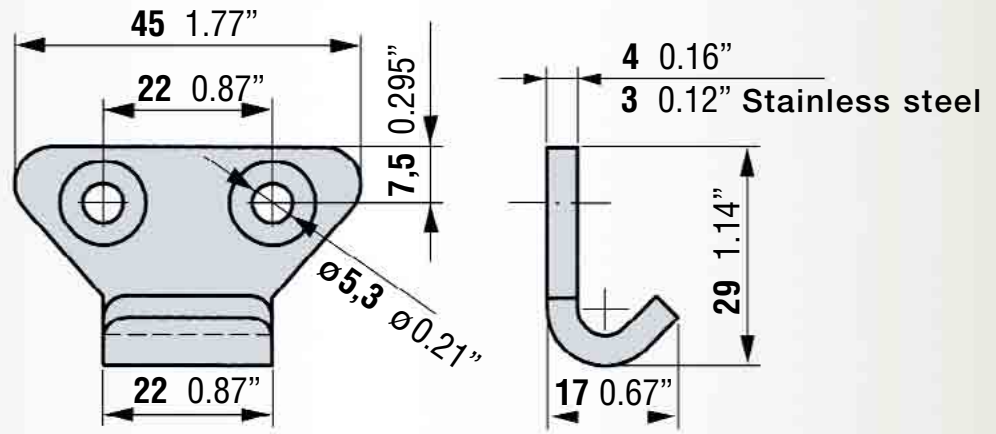
30 C



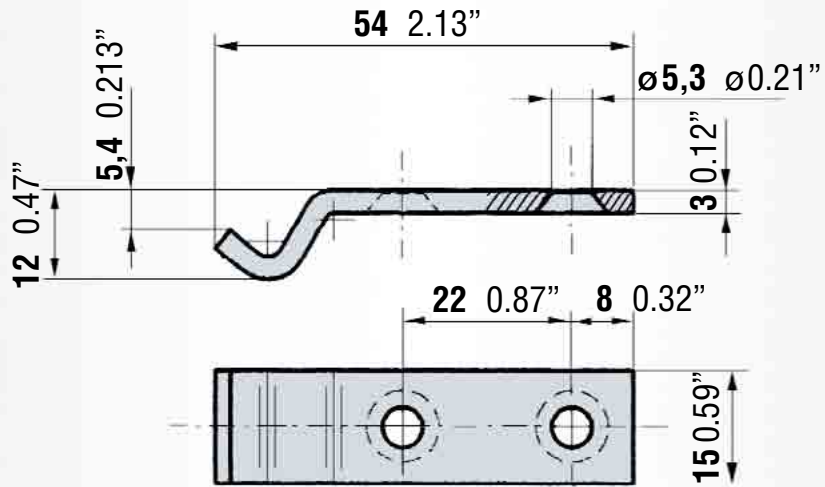
31 C



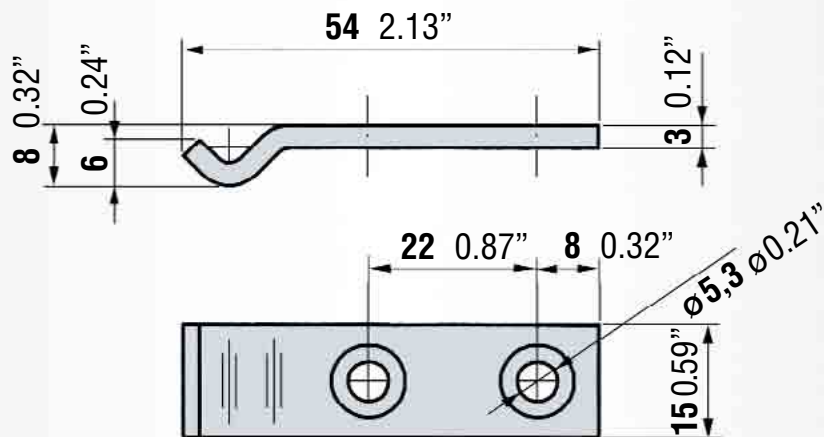
41 C



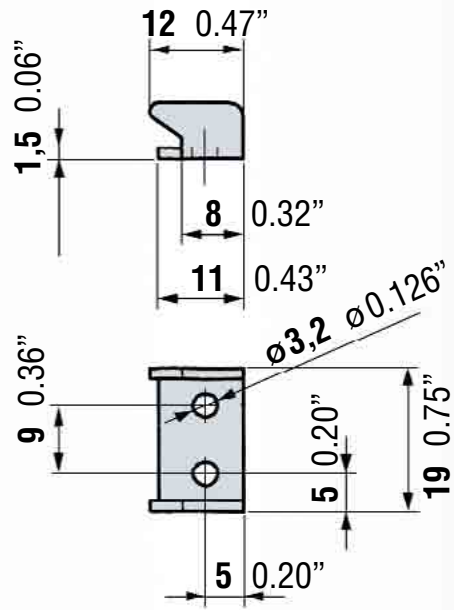
49 C



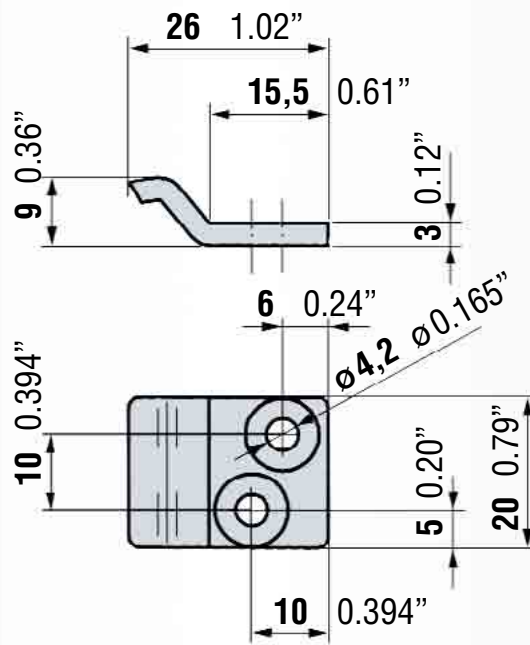
50 C



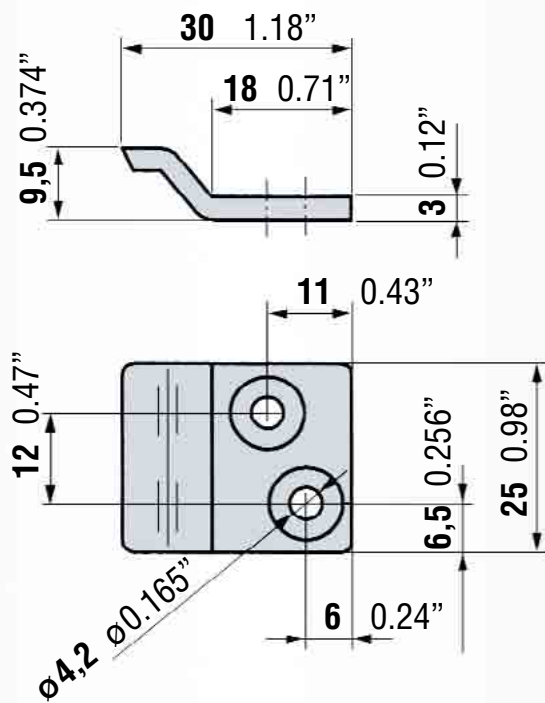
94 B



95 C



99 C





# ***Adapted solutions***



**703 L/C**

With special canopy hook



**703 C**

Clutch Lever



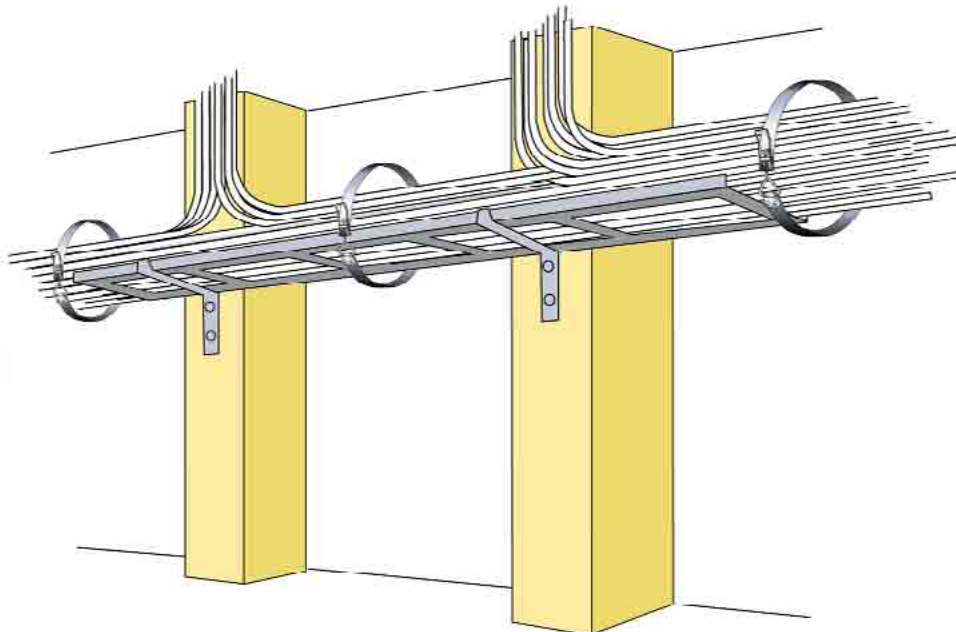
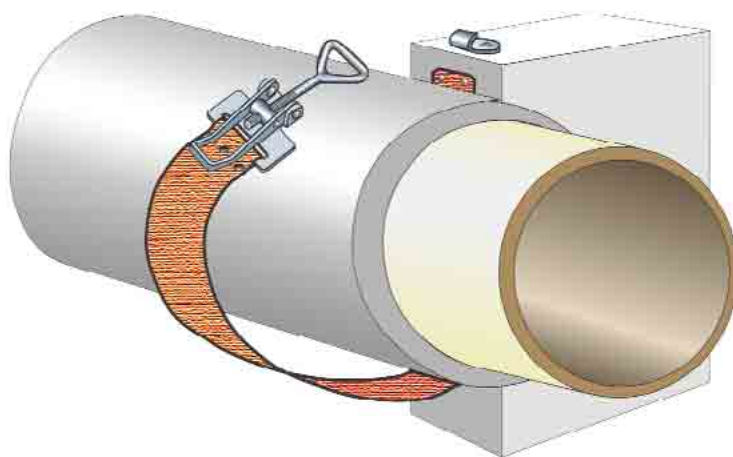
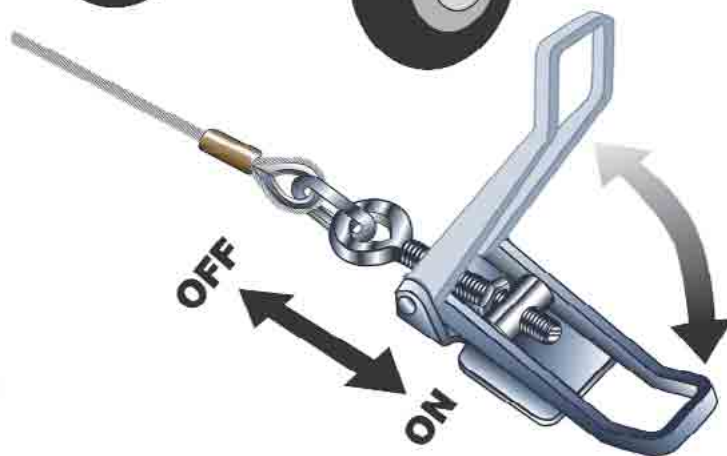
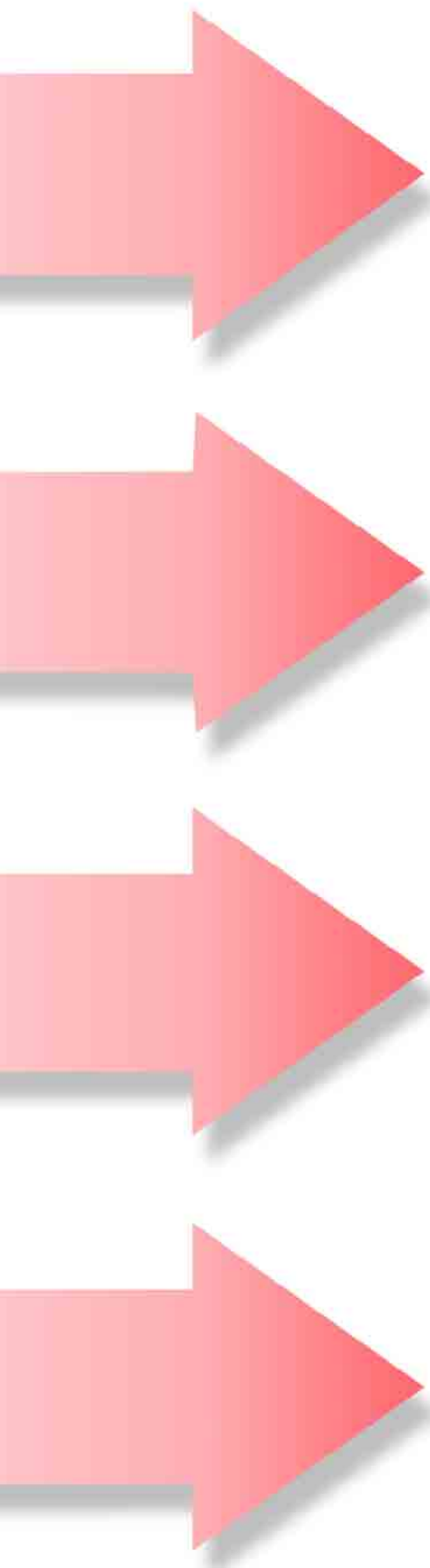
**702 A**

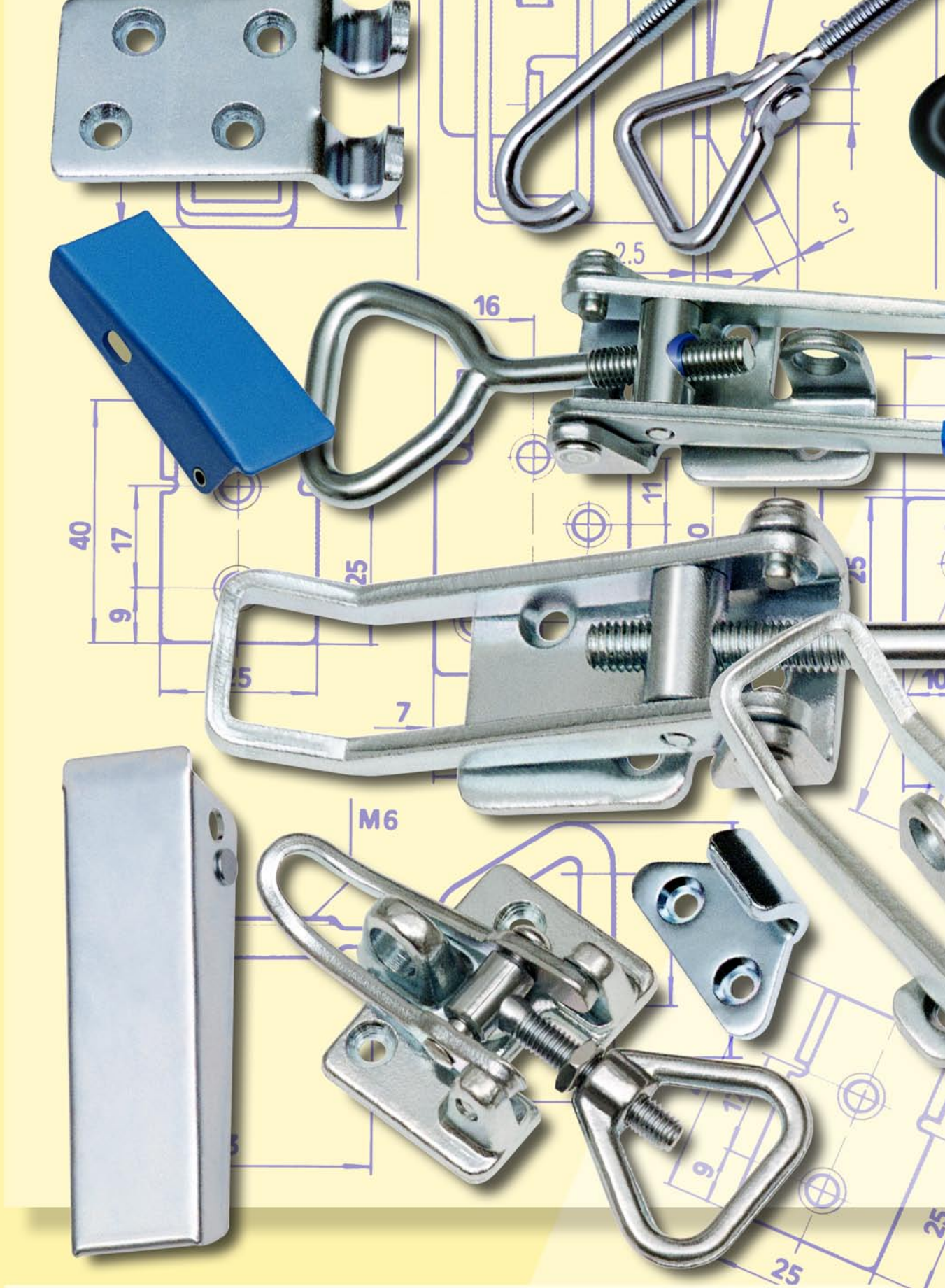
With slot for nylon band



**701 S/A + 30 A**

Cable ladder clip





**ojop**<sup>®</sup>  
SWEDEN

**OJOP SWEDEN AB**

OJOP SWEDEN AB, Pressargatan 11, 632 29 ESKILSTUNA, SWEDEN

Tel: +46 16 147350 Fax: +46 16 121411

info@ojopsweden.se www.ojopsweden.se