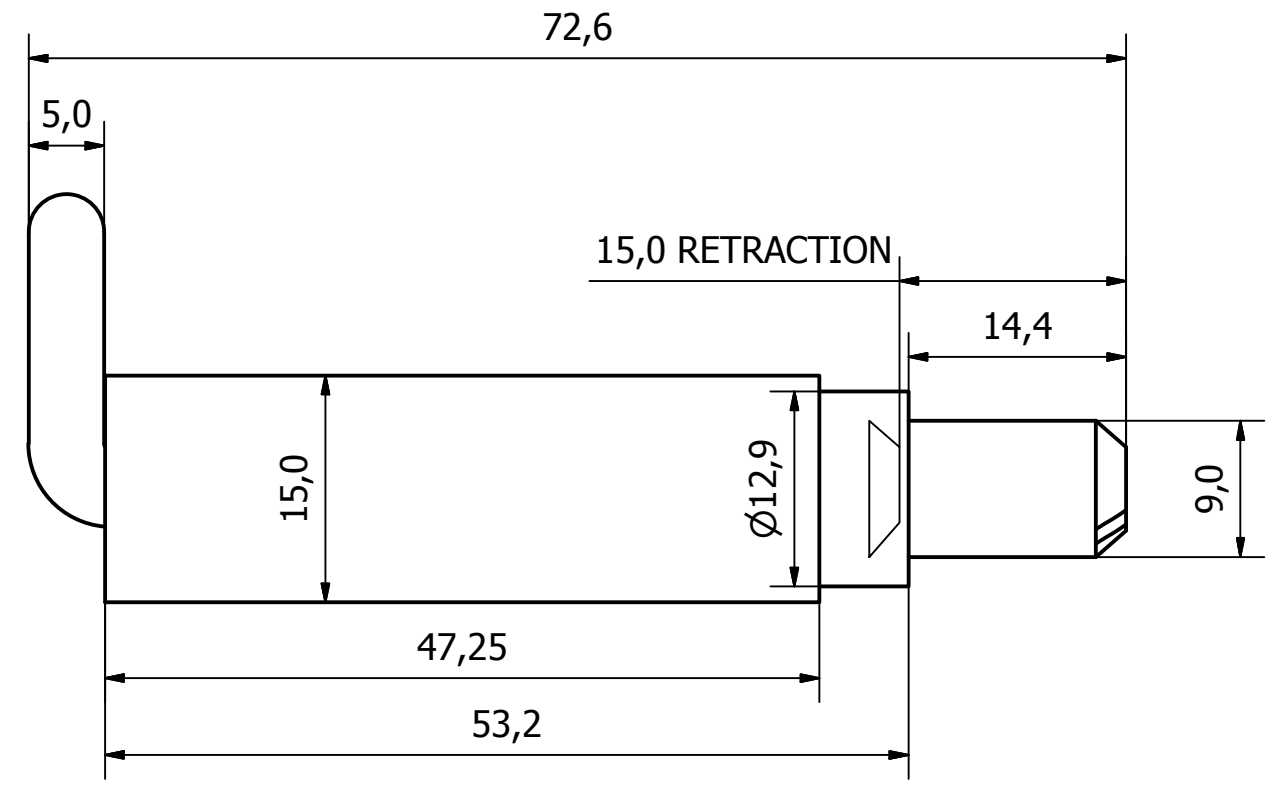
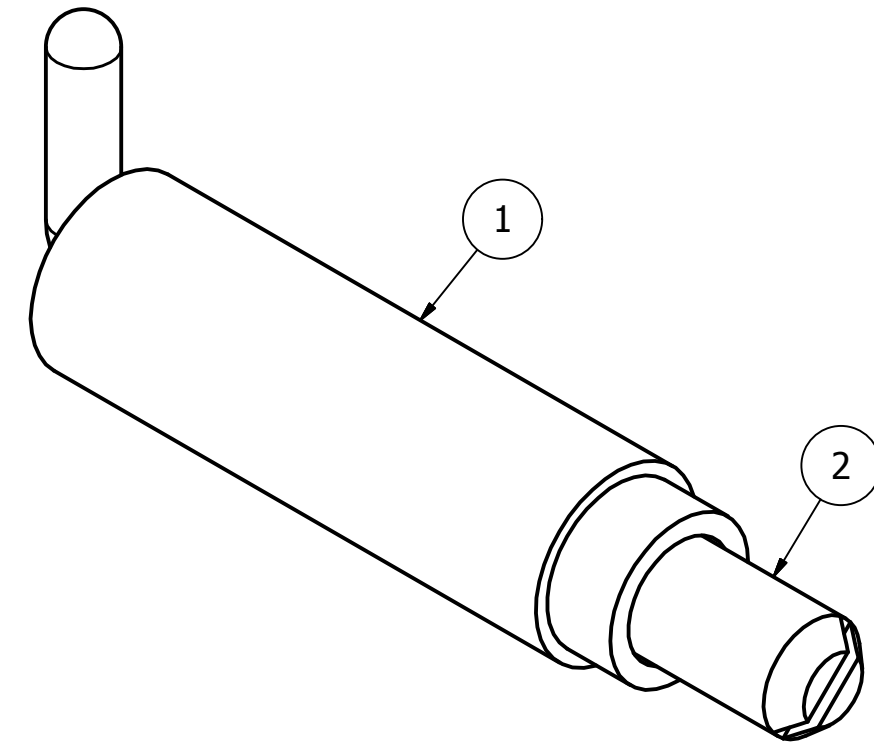


PARTS LIST			
ITEM	QTY	PART NUMBER	DESCRIPTION
1	1	0486-8571030-1	M/STEEL SPRING BOLT CASING
2	1	0486-8571030-2	M/STEEL YELLOW PASSIVATED BOLT



REV	DESCRIPTION	DATE	APPROVED
2	WAS PART No. 0832/1030	20/06/18	U.F
1	VALIDATION COMPLETE	29/03/17	A.P

GENERAL TOLERANCES ON LENGTHS
0.5 - 6 ± 0.1mm
6 - 30 ± 0.2mm
30 - 120 ± 0.3mm
120 - 400 ± 0.5mm
400 - 1000 ± 0.8mm
1000 - 1200 ± 1.2mm
2000 - 4000 ± 2.0mm

ALBERT JAGGER LTD
 GREEN LANE
 WALSALL PHONE: 01922 471000
 WEST MIDLANDS FAX: 01922 648021
 WS2 8HG

THIS DRAWING & THE DESIGN SHOWN ARE THE PROPERTY OF ALBERT JAGGER LTD AND MUST NOT BE USED OR COPIED BY A THIRD PARTY WITHOUT PERMISSION

DRAWN BY U.F	CHECKED BY A.P	SCALE 2:1	MATERIAL -	MASS 0.076 kg	FINISH NATURAL	Date 12/12/2016	ALL DIMS IN MM UNLESS STATED DO NOT SCALE	A3
						WELD ON SPRING BOLT		
						0486-8571030		Edition 2