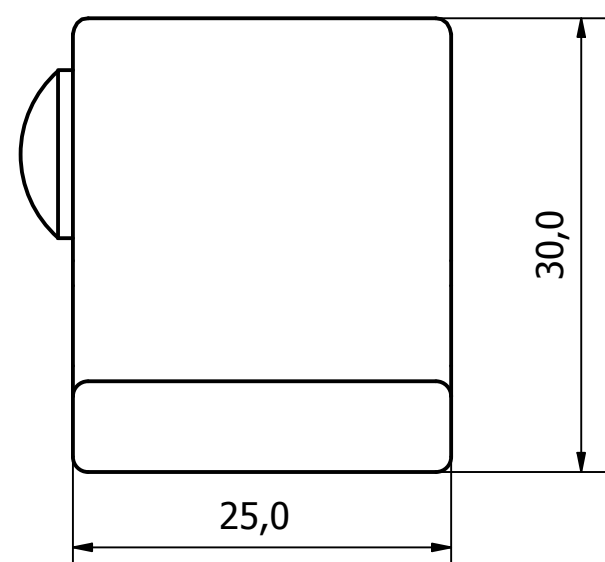
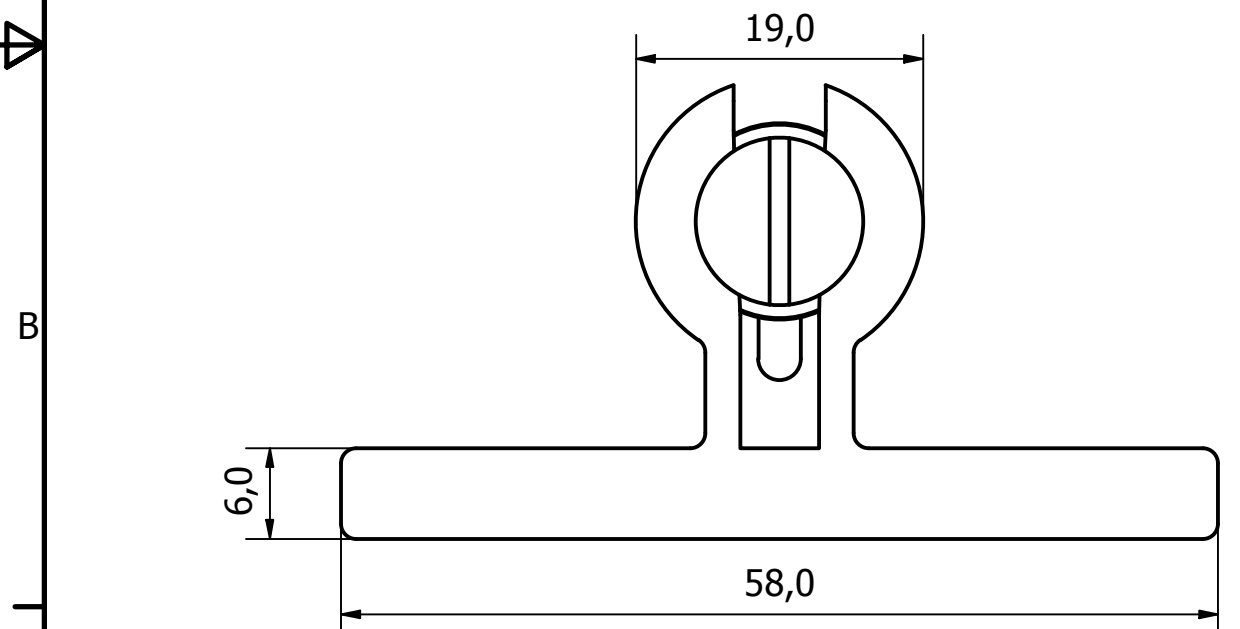
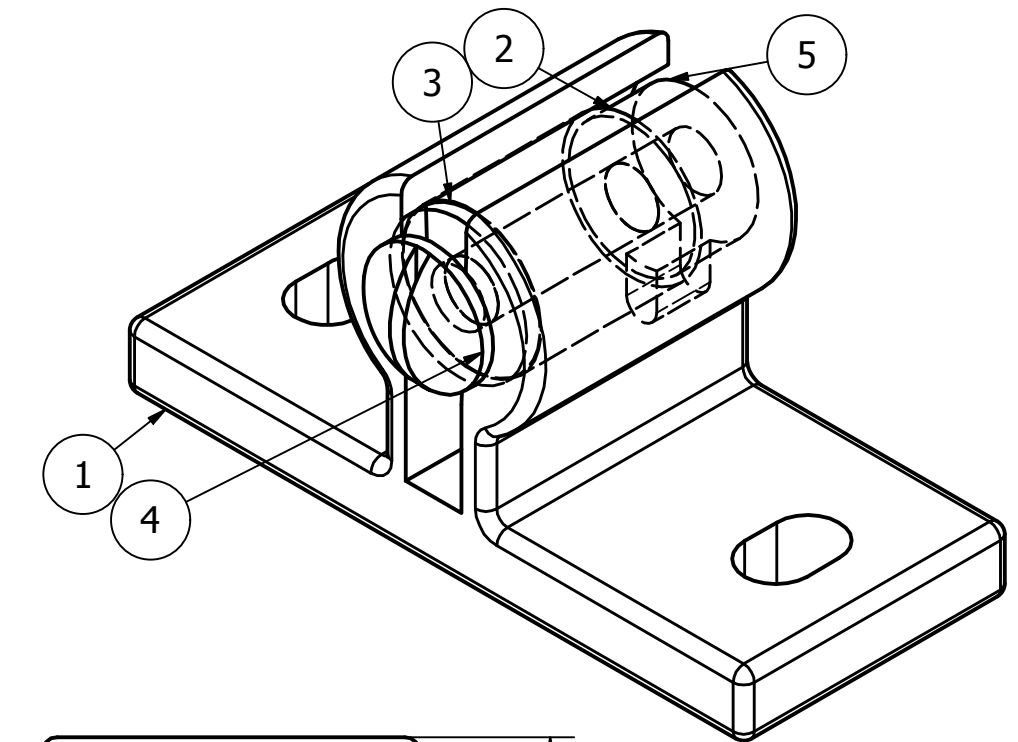
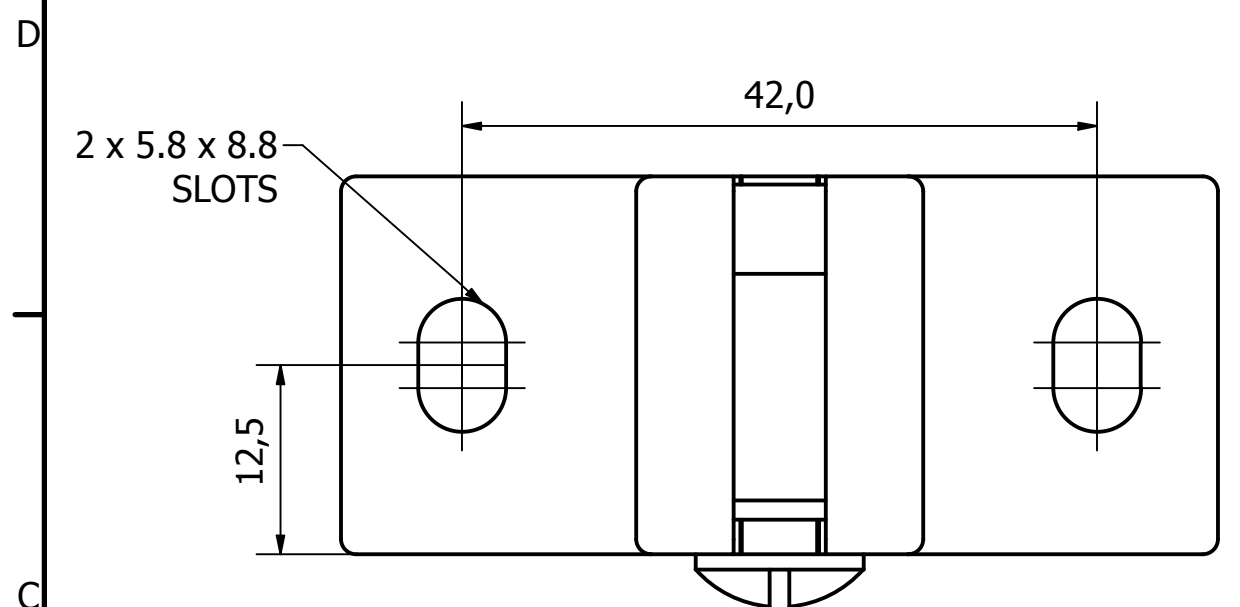


6 1 5 1 4 3 1 2 1 1

PARTS LIST			
ITEM	QTY	PART NUMBER	DESCRIPTION
1	1	0555-002-1	WHITE ACETAL RETAINER BODY
2	1	0555-002-2	BLACK RUBBER SPACER
3	1	0555-002-3	POLISHED S/STEEL M5 WASHER
4	1	0555-002-4	POLISHED S/STEEL M5 x 25 SCREW
5	1	0555-002-5	WHITE ACETAL SCREW CAP



REV	DESCRIPTION	DATE	APPROVED
2	DIMENSION ALIGNMENT	16/08/19	A.S
1	VALIDATION COMPLETE	09/06/17	A.P

NOTE:  
TO BE USED WITH 0555-001 FEMALE

GENERAL TOLERANCES ON LENGTHS	
0.5 - 6 ± 0.1mm	
6 - 30 ± 0.2mm	
30 - 120 ± 0.3mm	
120 - 400 ± 0.5mm	
400 - 1000 ± 0.8mm	
1000 - 2000 ± 1.2mm	
2000 - 4000 ± 2.0mm	

ALBERT JAGGER LTD  
GREEN LANE  
WALSALL PHONE: 01922 471000  
WEST MIDLANDS FAX: 01922 648021  
WS2 8HG

THIS DRAWING & THE DESIGN SHOWN ARE THE PROPERTY OF ALBERT JAGGER LTD AND MUST NOT BE USED OR COPIED BY A THIRD PARTY WITHOUT PERMISSION

DRAWN BY U.F	CHECKED BY A.P	SCALE 2 : 1	MATERIAL -	MASS 0.020 kg	FINISH SEE TABLE	Date 06/06/2017	ALL DIMS IN MM UNLESS STATED DO NOT SCALE	A3
						<b>MALE NYLON DOOR RETAINER</b>		
						0555-002	Edition 2	Sheet 1 / 1

A

A

6 1 5 1 4 3 1 2 1 1