

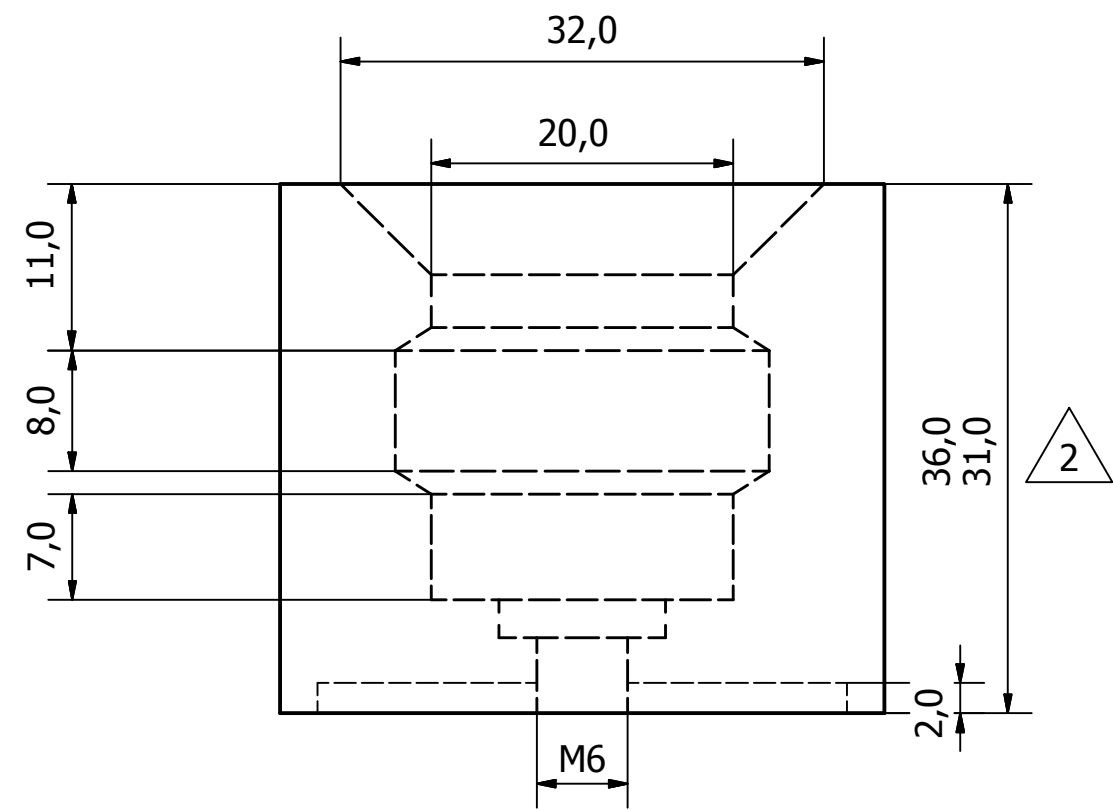
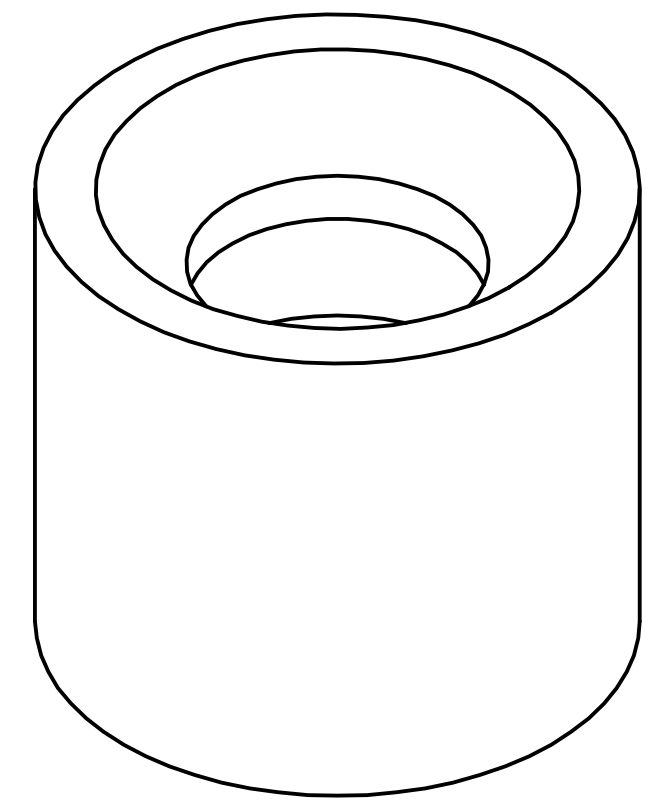
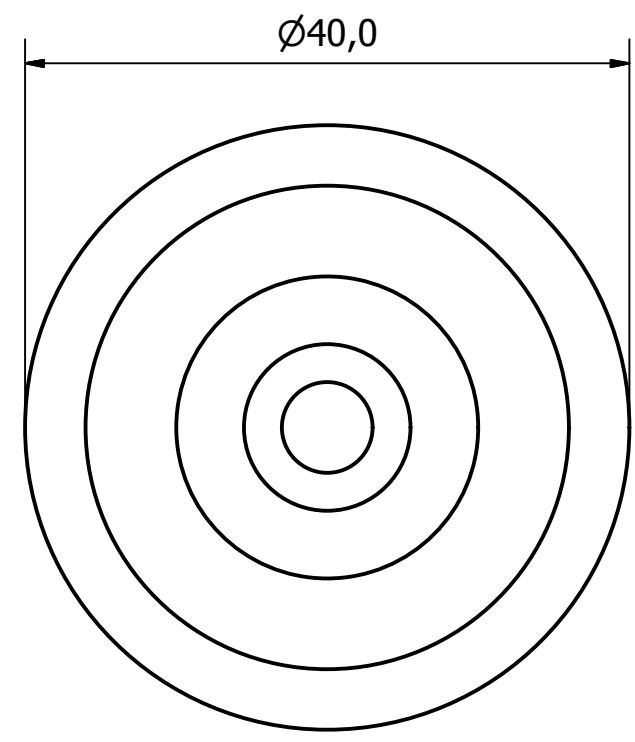
6 1 5 1 4 3 1 2 1 1

D D

C C

B B

A A



MATERIAL:

MOULDED HARD BLACK RUBBER (S.B.A)  
STEEL WASHER

FINISH:

WASHER - SHERADISED  
RUBBER - FREE OF SURFACE CONTAMINANTS AND FLASH

NOTE:

MINIMUM LOAD - 200N  
TYPICAL LOAD - 250N

75-85° SHORE HARDNESS

FOR USE WITH 0666/002 MALE MATING HALF

2	DIMENSIONS AND PROFILES MODIFIED	29/05/18	U.F
1	VALIDATION COMPLETE	19/10/17	A.P
REV	DESCRIPTION	DATE	APPROVED

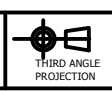
GENERAL TOLERANCES ON LENGTHS	
0.5 - 6 ± 0.1mm	
6 - 30 ± 0.2mm	
30 - 120 ± 0.3mm	
120 - 400 ± 0.5mm	
400 - 1000 ± 0.8mm	
1000 - 2000 ± 1.2mm	
2000 - 4000 ± 2.0mm	

ALBERT JAGGER LTD  
GREEN LANE  
WALSALL PHONE: 01922 471000  
WEST MIDLANDS FAX: 01922 648021  
WS2 8HG

THIS DRAWING & THE DESIGN SHOWN  
ARE THE PROPERTY OF ALBERT JAGGER LTD  
AND MUST NOT BE USED OR COPIED BY A  
THIRD PARTY WITHOUT PERMISSION

DRAWN BY  
U.F

CHECKED BY  
A.P



SCALE  
2 : 1

MATERIAL  
SEE NOTE

MASS  
0.030 kg

FINISH  
SEE NOTE

Date  
26/09/2017

ALL DIMS IN MM  
UNLESS STATED  
DO NOT SCALE

A3



FEMALE RUBBER DOOR HOLDER	
0777-001	
Edition 2	Sheet 1 / 1

6 1 5 1 4 3 1 2 1 1