

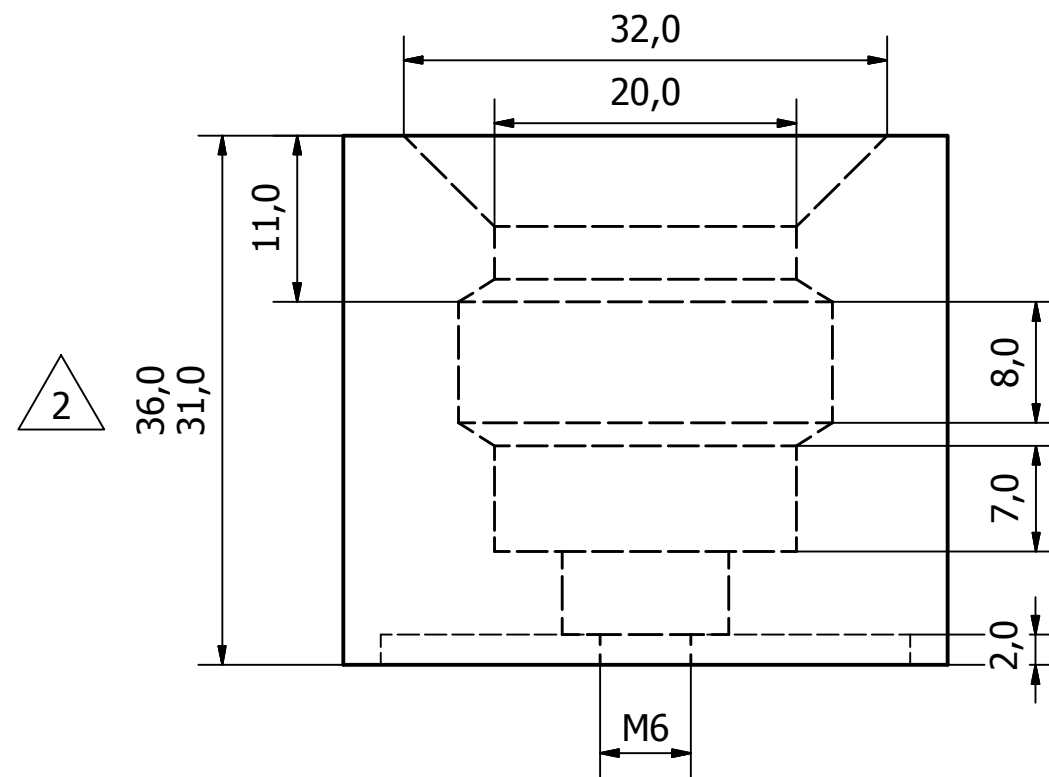
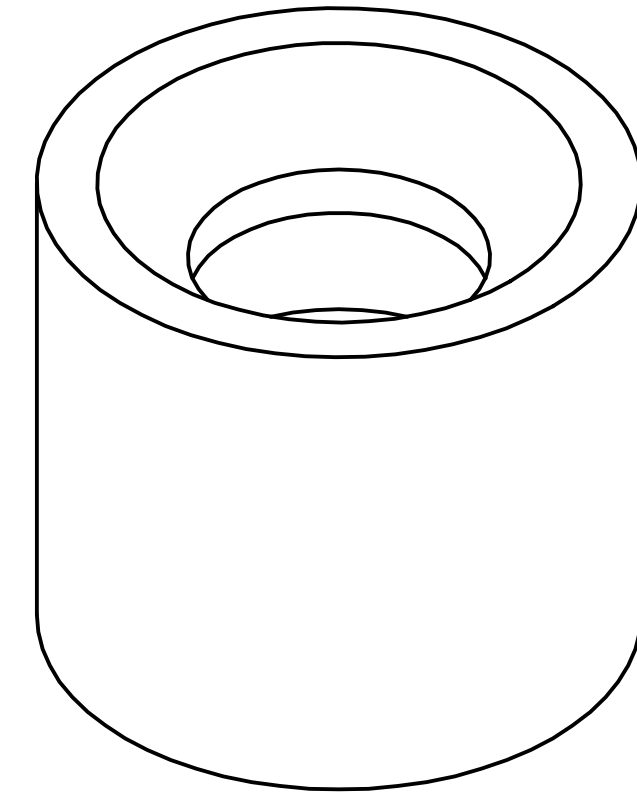
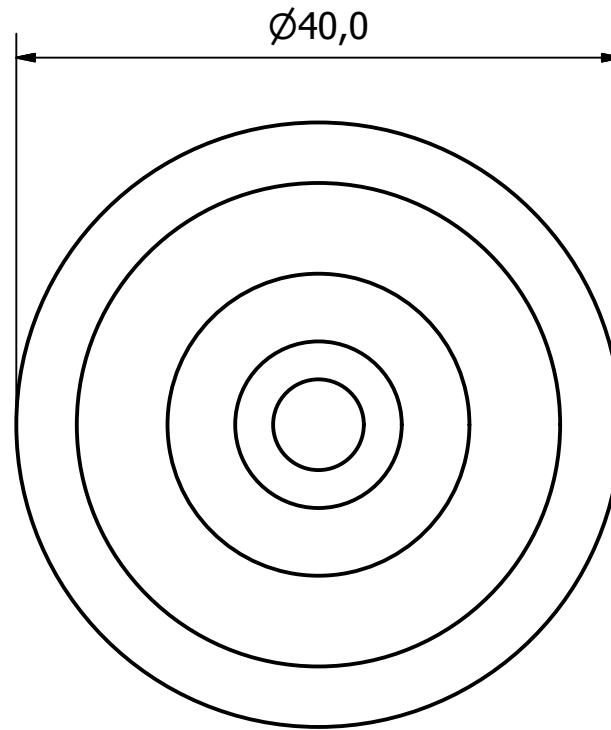
6 5 4 3 2 1

D D

C C

B B

A A



MATERIAL:

MOULDED SOFT BLUE RUBBER (S.B.A)  
STEEL WASHER

FINISH:

WASHER - SHERADISED  
RUBBER - FREE OF SURFACE CONTAMINANTS AND FLASH

NOTE:

MINIMUM LOAD - 29N  
TYPICAL LOAD - 80N

35-45° SHORE HARDNESS

FOR USE WITH 0666/002 MALE MATING HALF

2	DIMENSIONS AND PROFILE MODIFIED	29/05/18	U.F
1	VALIDATION COMPLETE	19/10/17	A.P
REV	DESCRIPTION	DATE	APPROVED

GENERAL TOLERANCES ON LENGTHS
0.5 - 6 ± 0.1mm
6 - 30 ± 0.2mm
30 - 120 ± 0.3mm
120 - 400 ± 0.5mm
400 - 1000 ± 0.8mm
1000 - 2000 ± 1.2mm
2000 - 4000 ± 2.0mm

ALBERT JAGGER LTD  
GREEN LANE  
WALSALL PHONE: 01922 471000  
WEST MIDLANDS FAX: 01922 648021  
WS2 8HG

THIS DRAWING & THE DESIGN SHOWN ARE THE PROPERTY OF ALBERT JAGGER LTD AND MUST NOT BE USED OR COPIED BY A THIRD PARTY WITHOUT PERMISSION

DRAWN BY  
U.F

CHECKED BY  
A.P



SCALE  
2 : 1

MATERIAL  
SEE NOTE

MASS  
0.030 kg

FINISH  
SEE NOTE

Date  
26/09/2017

ALL DIMS IN MM UNLESS STATED DO NOT SCALE

A3



FEMALE RUBBER DOOR HOLDER

0778-001

Edition 2

Sheet 1 / 1

6 5 4 3 2 1