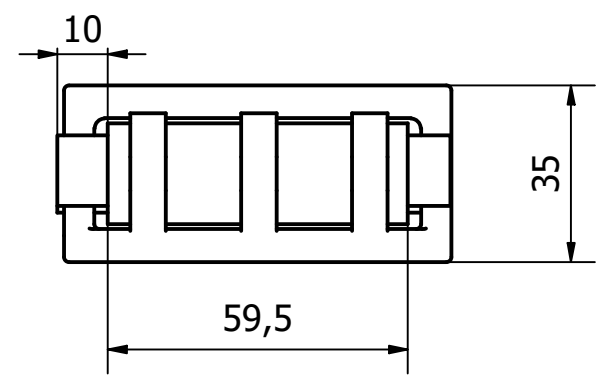
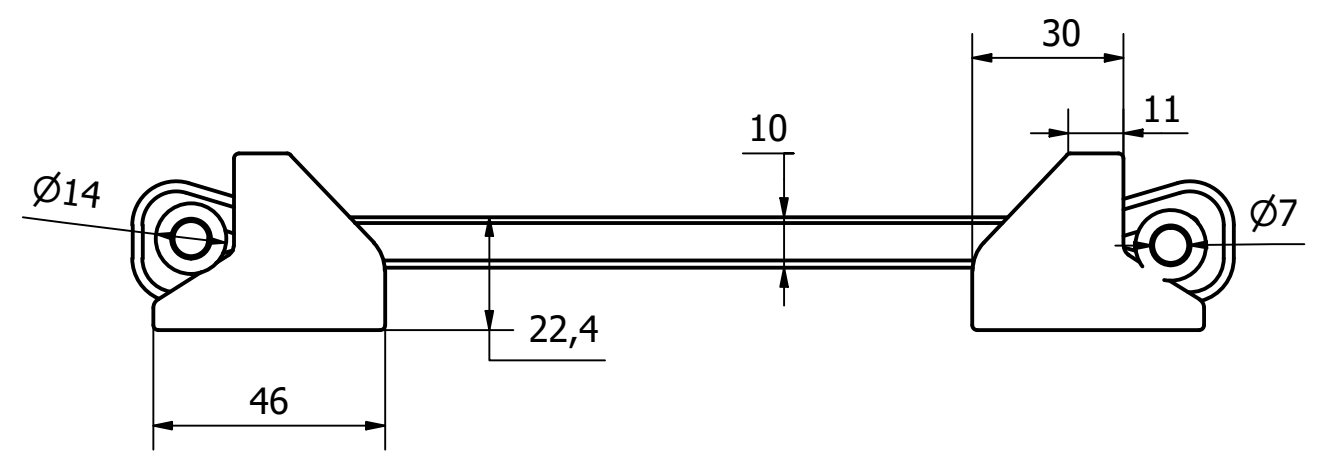
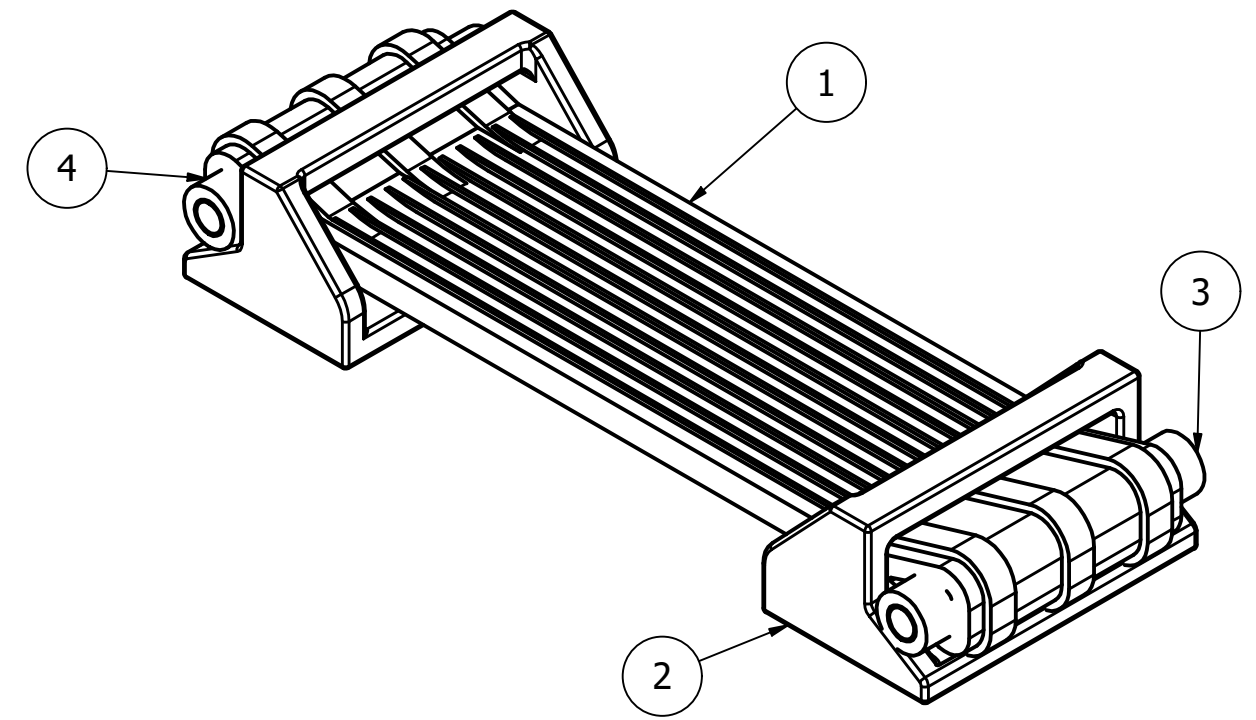
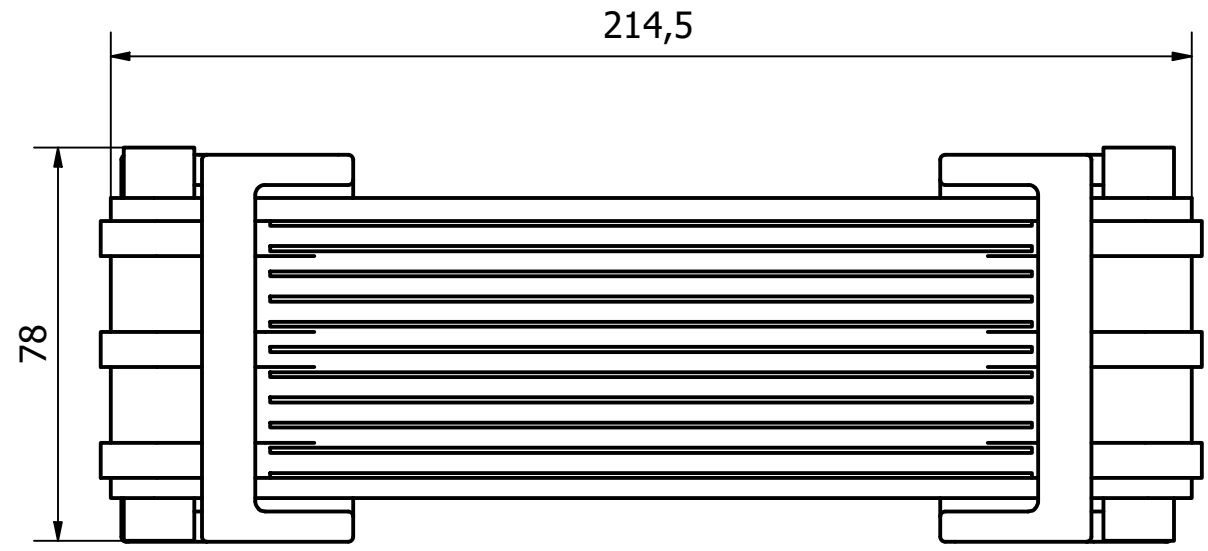


PARTS LIST			
ITEM	QTY	PART NUMBER	DESCRIPTION
1	1	0783-001-2	RUBBER- REINFORCED STRAP-BLACK
2	2	0783-001	ALUMINIUM-BRACKETS
3	2	0783-001-3	S/STEEL- PIN BOLTS
4	2	0783-001-4	S/STEEL- BOLT



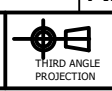
1	VALIDATION COMPLETE	08/06/2022	C.H
REV	DESCRIPTION	DATE	APPROVED

GENERAL TOLERANCES ON LENGTHS
0.5 - 6 ± 0.1mm
6 - 30 ± 0.2mm
30 - 120 ± 0.3mm
120 - 400 ± 0.5mm
400 - 1000 ± 0.8mm
1000 - 2000 ± 1.2mm
2000 - 4000 ± 2.0mm

ALBERT JAGGER LTD
GREEN LANE
WALSALL PHONE: 01922 471000
WEST MIDLANDS FAX: 01922 648021
WS2 8HG
THIS DRAWING & THE DESIGN SHOWN ARE THE PROPERTY OF ALBERT JAGGER LTD AND MUST NOT BE USED OR COPIED BY A THIRD PARTY WITHOUT PERMISSION

DRAWN BY
S.R

CHECKED BY
C.H



SCALE
1 : 1.5

MATERIAL
SEE TABLE

MASS
0.354 kg

FINISH
SEE TABLE

Date
07/06/2022

ALL DIMS IN MM UNLESS STATED DO NOT SCALE

A3



DOOR CHECK STRAP - RUBBER
0783-001
Edition 1
Sheet 1 / 1