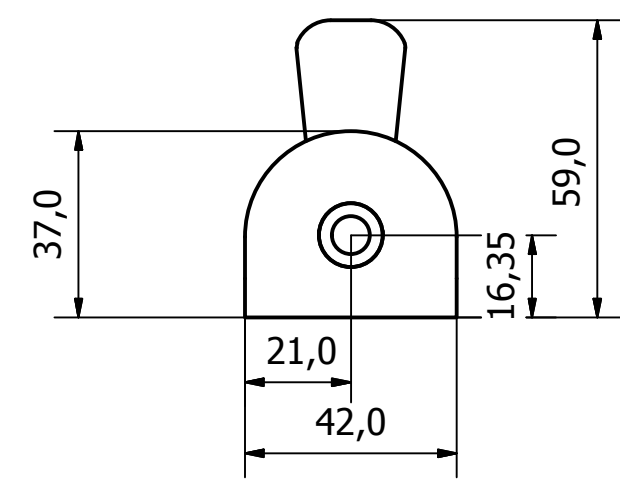
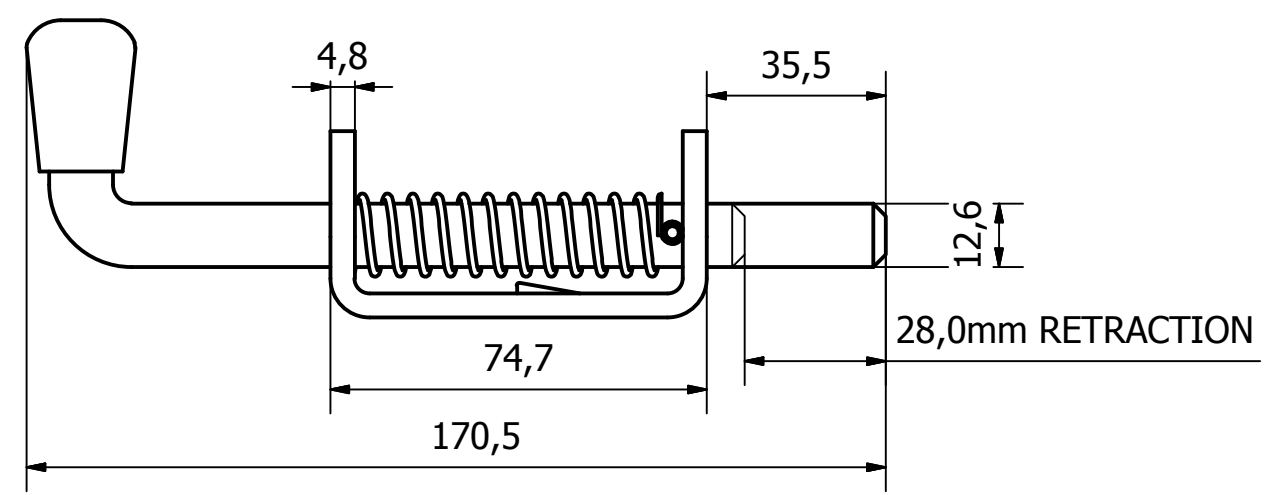
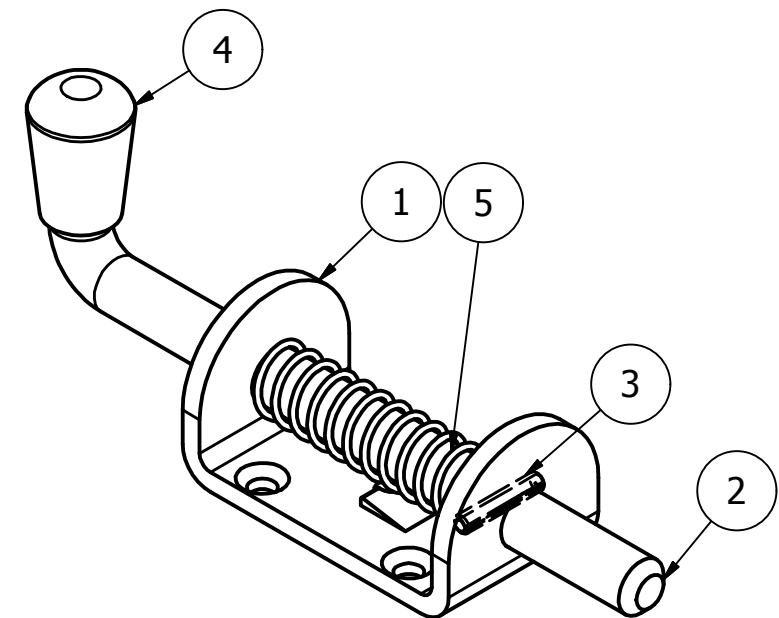
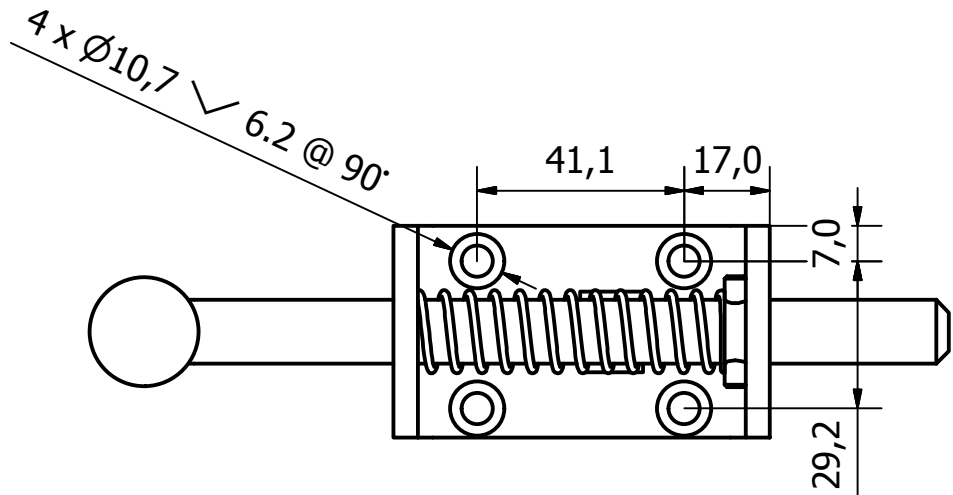


PARTS LIST			
ITEM	QTY	PART NUMBER	DESCRIPTION
1	1	0840-001-1	M/STEEL SPRING BOLT BASE PLATE
2	1	0840-001-2	M/STEEL 90 DEG BOLT - 166 O/A
3	1	0840-001-4	M/STEEL BOLT PIN - 22 O/A
4	1	0840-001-3	RED PLASTIC CAP
5	1	0840-001-5	M/STEEL SPRING



1	VALIDATION COMPLETE	29/03/17	A.P
REV	DESCRIPTION	DATE	APPROVED
U.F	A.P	06/12/2016	A3
		1/2" SPRING BOLT	
0840-001		Edition 1	Sheet 1 / 1

GENERAL TOLERANCES ON LENGTHS
0.5 - 6 ± 0.1mm
6 - 30 ± 0.2mm
30 - 120 ± 0.3mm
120 - 400 ± 0.5mm
400 - 1000 ± 0.8mm
1000 - 1200 ± 1.2mm
2000 - 4000 ± 2.0mm

ALBERT JAGGER LTD
GREEN LANE
WALSALL PHONE: 01922 471000
WEST MIDLANDS FAX: 01922 648021
WS2 8HG

THIS DRAWING & THE DESIGN SHOWN ARE THE PROPERTY OF ALBERT JAGGER LTD AND MUST NOT BE USED OR COPIED BY A THIRD PARTY WITHOUT PERMISSION

DRAWN BY
U.F

CHECKED BY
A.P

THIRD ANGLE PROJECTION

SCALE
1:1.5

MATERIAL
-

MASS
0.377 kg

FINISH
Z/C PASSIVATE

Date
06/12/2016

ALL DIMS IN MM UNLESS STATED DO NOT SCALE