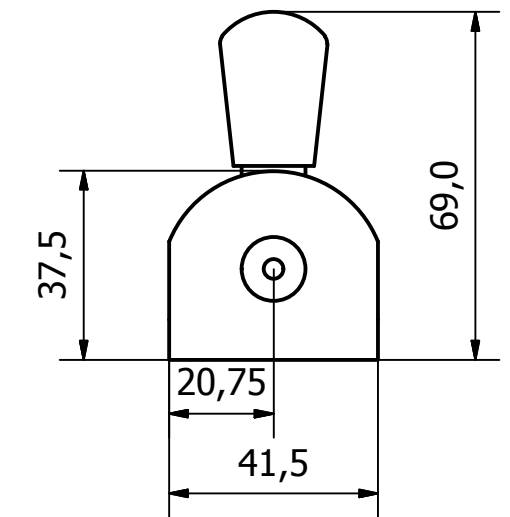
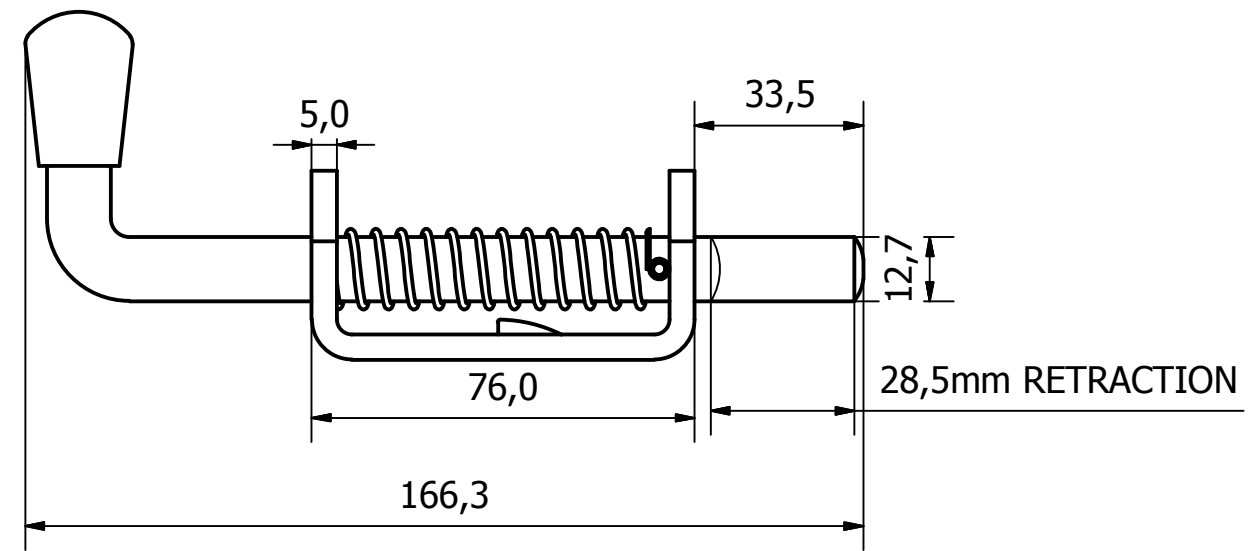
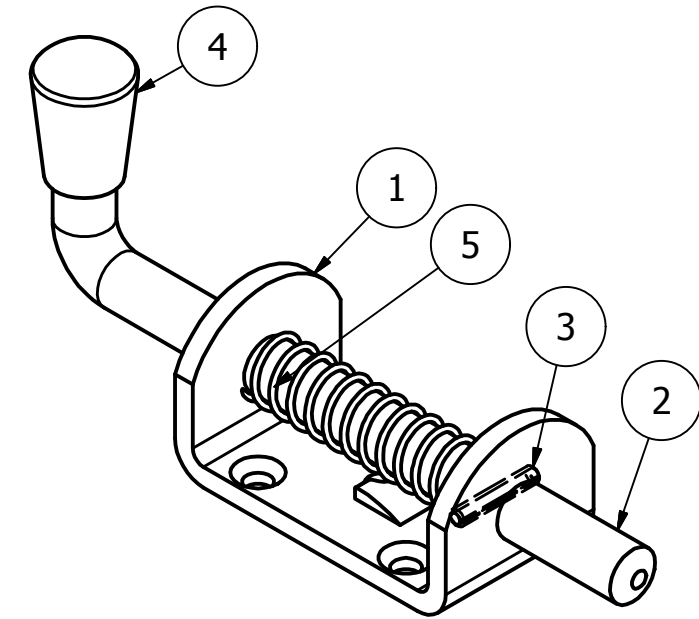
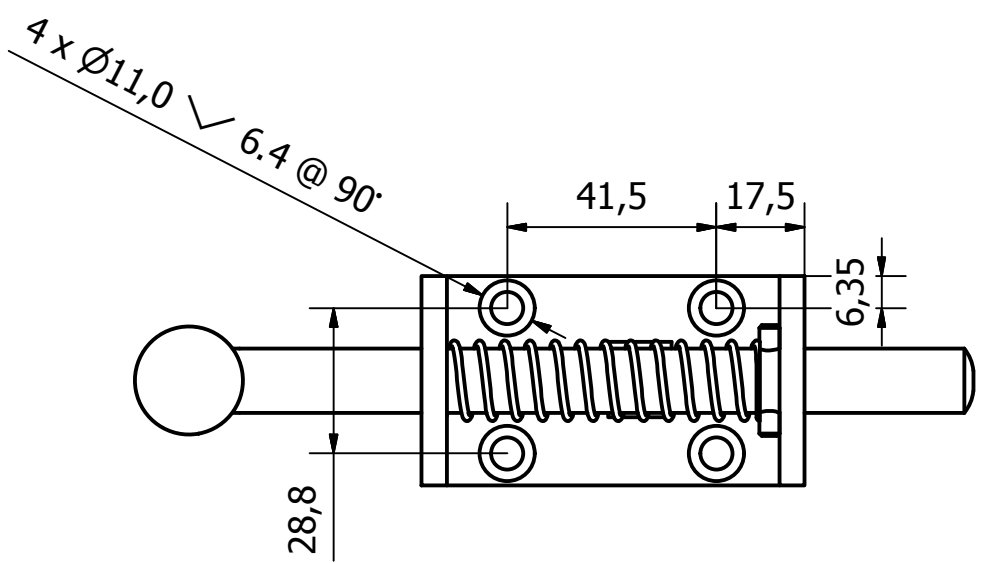


PARTS LIST			
ITEM	QTY	PART NUMBER	DESCRIPTION
1	1	0843-001-1	S/STEEL SPRING BOLT BASE PLATE
2	1	0843-001-2	S/STEEL 90 DEG BOLT - 162 O/A
3	1	0843-001-4	S/STEEL BOLT PIN - 22 O/A
4	1	0843-001-3	RED PLASTIC CAP
5	1	0843-001-5	S/STEEL SPRING



1	VALIDATION COMPLETE	29/03/17	A.P
REV	DESCRIPTION	DATE	APPROVED

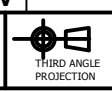
GENERAL TOLERANCES ON LENGTHS
0.5 - 6 ± 0.1mm
6 - 30 ± 0.2mm
30 - 120 ± 0.3mm
120 - 400 ± 0.5mm
400 - 1000 ± 0.8mm
1000 - 1200 ± 1.2mm
2000 - 4000 ± 2.0mm

ALBERT JAGGER LTD  
 GREEN LANE  
 WALSALL PHONE: 01922 471000  
 WEST MIDLANDS FAX: 01922 648021  
 WS2 8HG

THIS DRAWING & THE DESIGN SHOWN ARE THE PROPERTY OF ALBERT JAGGER LTD AND MUST NOT BE USED OR COPIED BY A THIRD PARTY WITHOUT PERMISSION

DRAWN BY  
U.F

CHECKED BY  
A.P



SCALE  
1:1.5

MATERIAL  
-

MASS  
0.392 kg

FINISH  
NATURAL

Date  
07/12/2016

ALL DIMS IN MM UNLESS STATED DO NOT SCALE

A3



12.7mm SPRING BOLT	
0843-001	Edition 1 Sheet 1 / 1