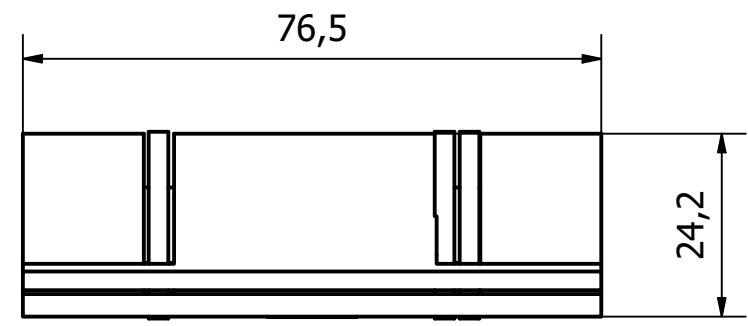
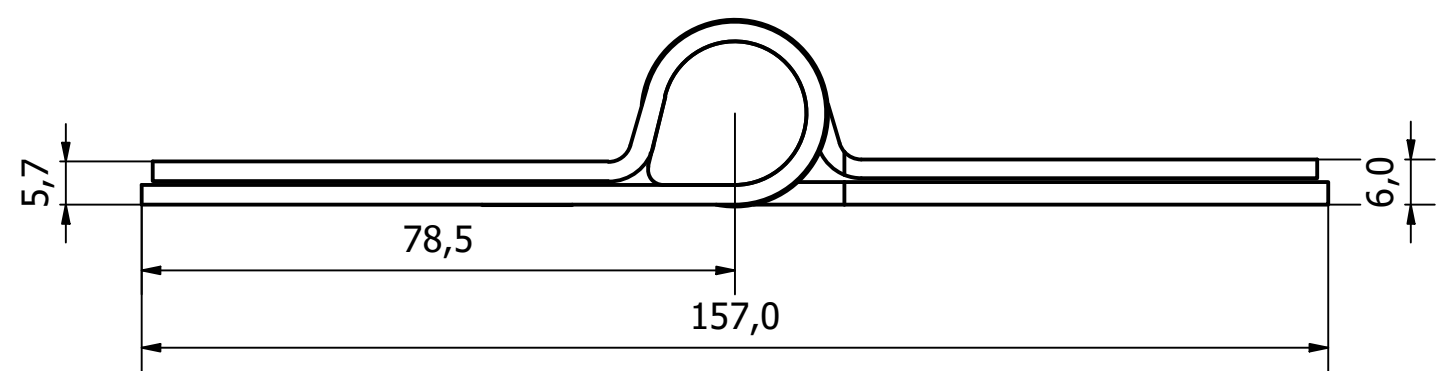
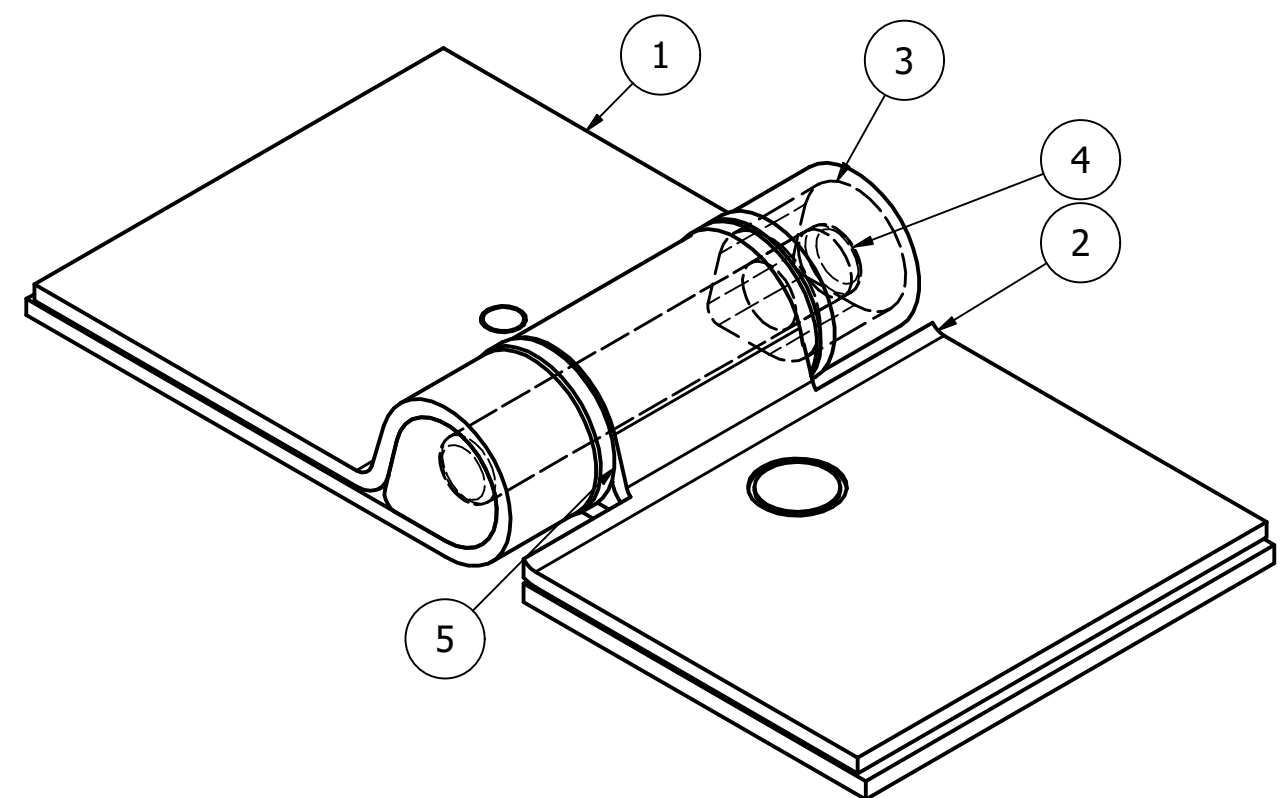
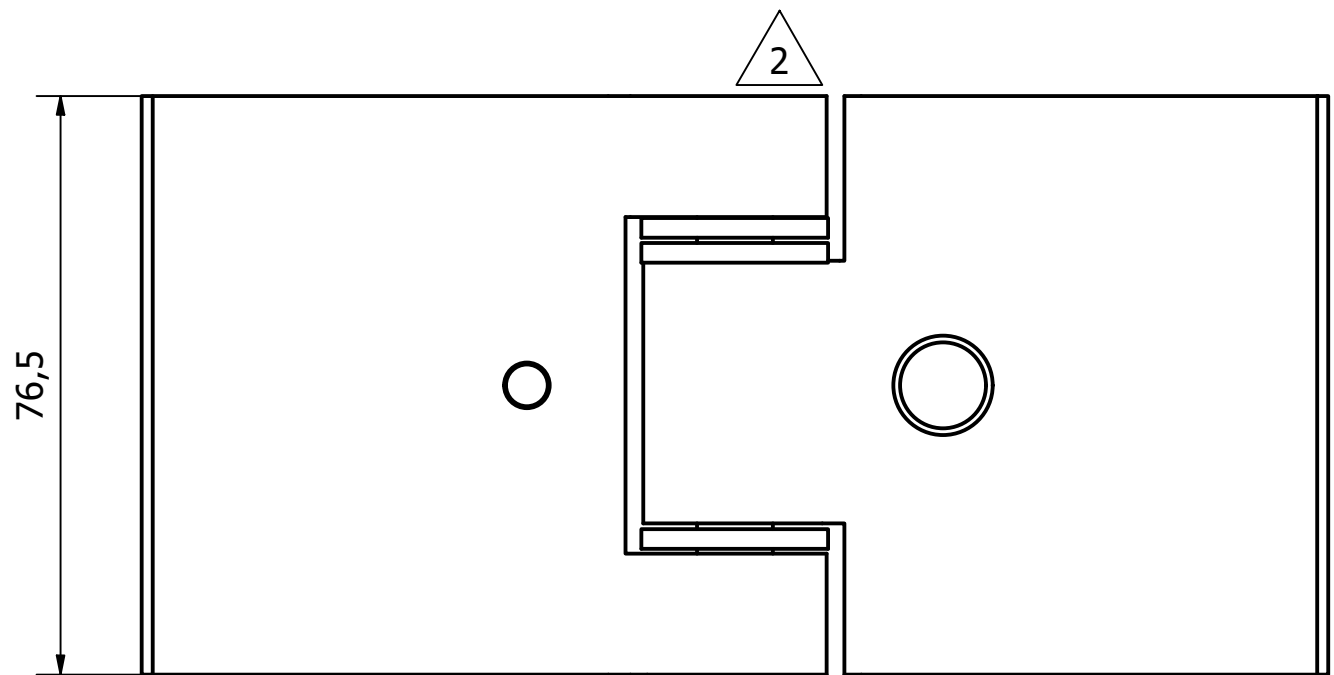


PARTS LIST			
ITEM	QTY	PART NUMBER	DESCRIPTION
1	1	0855-001-1	M/STEEL MAIN HINGE FLAP
2	1	0855-001-2	M/STEEL MOUNTING HINGE FLAP
3	2	0855-001-4	NON-SHOULDERED NYLON BUSH
4	1	0855-001-6	M/STEEL HINGE PIN
5	3	0855-001-7	SHOULDERED NYLON BUSH



REV	DESCRIPTION	DATE	APPROVED
1	VALIDATION COMPLETE	23/11/16	A.P
2	ADDED NYLON BUSH	10/06/2022	S.R

NOTE:
HINGE DESIGNED FOR 270° APPLICATIONS

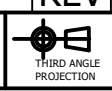
GENERAL TOLERANCES ON LENGTHS	
0.5 - 6 ± 0.1mm	
6 - 30 ± 0.2mm	
30 - 120 ± 0.3mm	
120 - 400 ± 0.5mm	
400 - 1000 ± 0.8mm	
1000 - 1200 ± 1.2mm	
2000 - 4000 ± 2.0mm	

ALBERT JAGGER LTD
GREEN LANE
WALSALL WEST MIDLANDS WS2 8HG
PHONE: 01922 471000
FAX: 01922 648021

THIS DRAWING & THE DESIGN SHOWN ARE THE PROPERTY OF ALBERT JAGGER LTD AND MUST NOT BE USED OR COPIED BY A THIRD PARTY WITHOUT PERMISSION

DRAWN BY
U.F

CHECKED BY
A.P



SCALE
1 : 1

MATERIAL
-

MASS
0.570 kg

FINISH
NATURAL

Date
03/11/2016

ALL DIMS IN MM UNLESS STATED DO NOT SCALE

A3



COACH HINGE - LH	
0855-001	0855-001
Edition 2	Sheet 1 / 1