

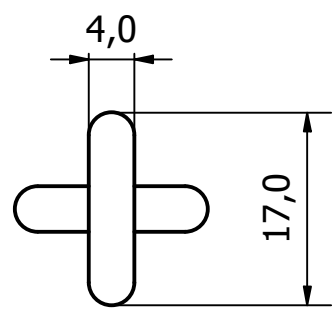
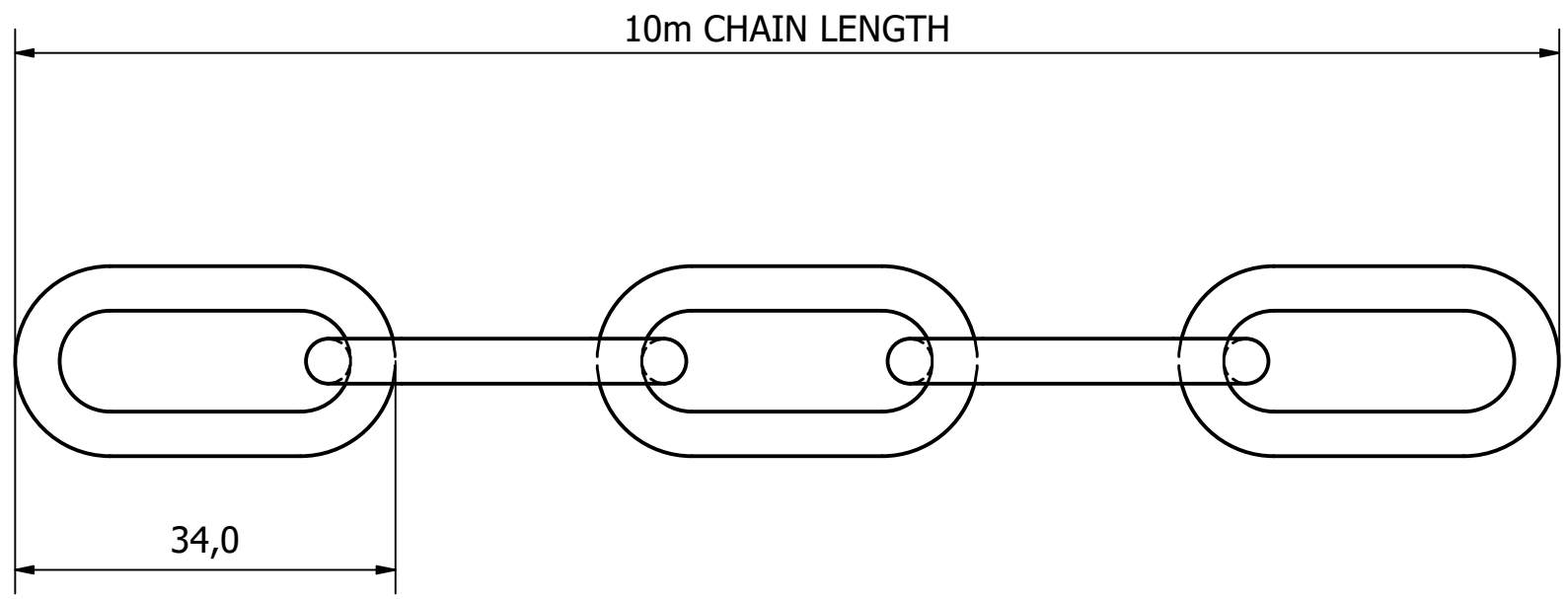
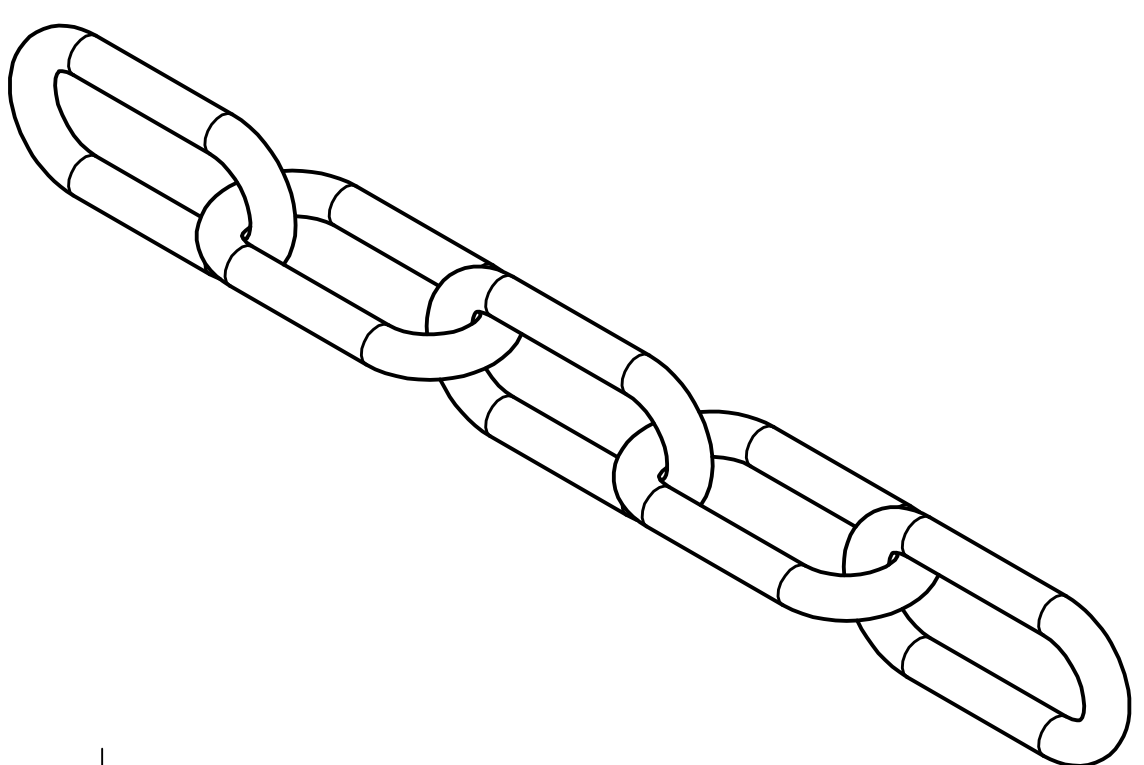
6 1 5 1 4 3 1 2 1 1

D D

C C

B B

A A



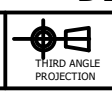
NOTE: 
 SAFE WORKING LOAD - 120kg *
 (* UNCERTIFIED TEST LOAD)

| GENERAL TOLERANCES ON LENGTHS | |
|-------------------------------|--|
| 0.5 - 6 ± 0.1mm | |
| 6 - 30 ± 0.2mm | |
| 30 - 120 ± 0.3mm | |
| 120 - 400 ± 0.5mm | |
| 400 - 1000 ± 0.8mm | |
| 1000 - 2000 ± 1.2mm | |
| 2000 - 4000 ± 2.0mm | |

ALBERT JAGGER LTD
 GREEN LANE
 WALSALL PHONE: 01922 471000
 WEST MIDLANDS FAX: 01922 648021
 WS2 8HG
 THIS DRAWING & THE DESIGN SHOWN
 ARE THE PROPERTY OF ALBERT JAGGER LTD
 AND MUST NOT BE USED OR COPIED BY A
 THIRD PARTY WITHOUT PERMISSION

DRAWN BY
 U.F

CHECKED BY
 A.P



SCALE
 1.5:1

MATERIAL
 M/STEEL

MASS
 0.037 kg

FINISH
 NATURAL

Date
 24/04/2019

ALL DIMS IN MM
 UNLESS STATED
 DO NOT SCALE

A3



STRAIGHT LINK CHAIN - 10m LENGTH

0896-1426

Edition
 2

Sheet
 1 / 1

6 1 5 1 4 3 1 2 1 1