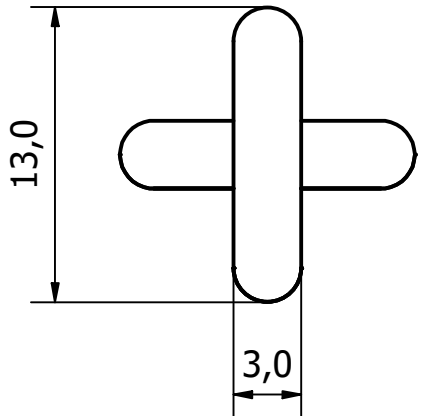


10,0 METRE CHAIN LENGTH

21,5



NOTE:
SAFE WORKING LOAD - 85kg *
(* UNCERTIFIED TEST LOAD)

| GENERAL TOLERANCES ON LENGTHS | |
|-------------------------------|--|
| 0.5 - 6 ± 0.1mm | |
| 6 - 30 ± 0.2mm | |
| 30 - 120 ± 0.3mm | |
| 120 - 400 ± 0.5mm | |
| 400 - 1000 ± 0.8mm | |
| 1000 - 2000 ± 1.2mm | |
| 2000 - 4000 ± 2.0mm | |

ALBERT JAGGER LTD
GREEN LANE
WALSALL PHONE: 01922 471000
WEST MIDLANDS FAX: 01922 648021
WS2 8HG

THIS DRAWING & THE DESIGN SHOWN
ARE THE PROPERTY OF ALBERT JAGGER LTD
AND MUST NOT BE USED OR COPIED BY A
THIRD PARTY WITHOUT PERMISSION

DRAWN BY
A.S

CHECKED BY
A.P



SCALE
3 : 1

MATERIAL
M/STEEL

MASS
0.013 kg

FINISH
ZINC

Date
25/04/2019

ALL DIMS IN MM
UNLESS STATED
DO NOT SCALE

A3



| ZINC PLATED STRAIGHT LINK CHAIN | | | |
|---------------------------------|--------------|----------------|--|
| 0899-1316 | Edition 2 | Sheet 1 / 1 | |

| REV | DESCRIPTION | DATE | APPROVED |
|-----|---------------------|----------|----------|
| 2 | NOTE MODIFIED | 26/01/21 | U.F |
| 1 | VALIDATION COMPLETE | 08/07/19 | A.P |