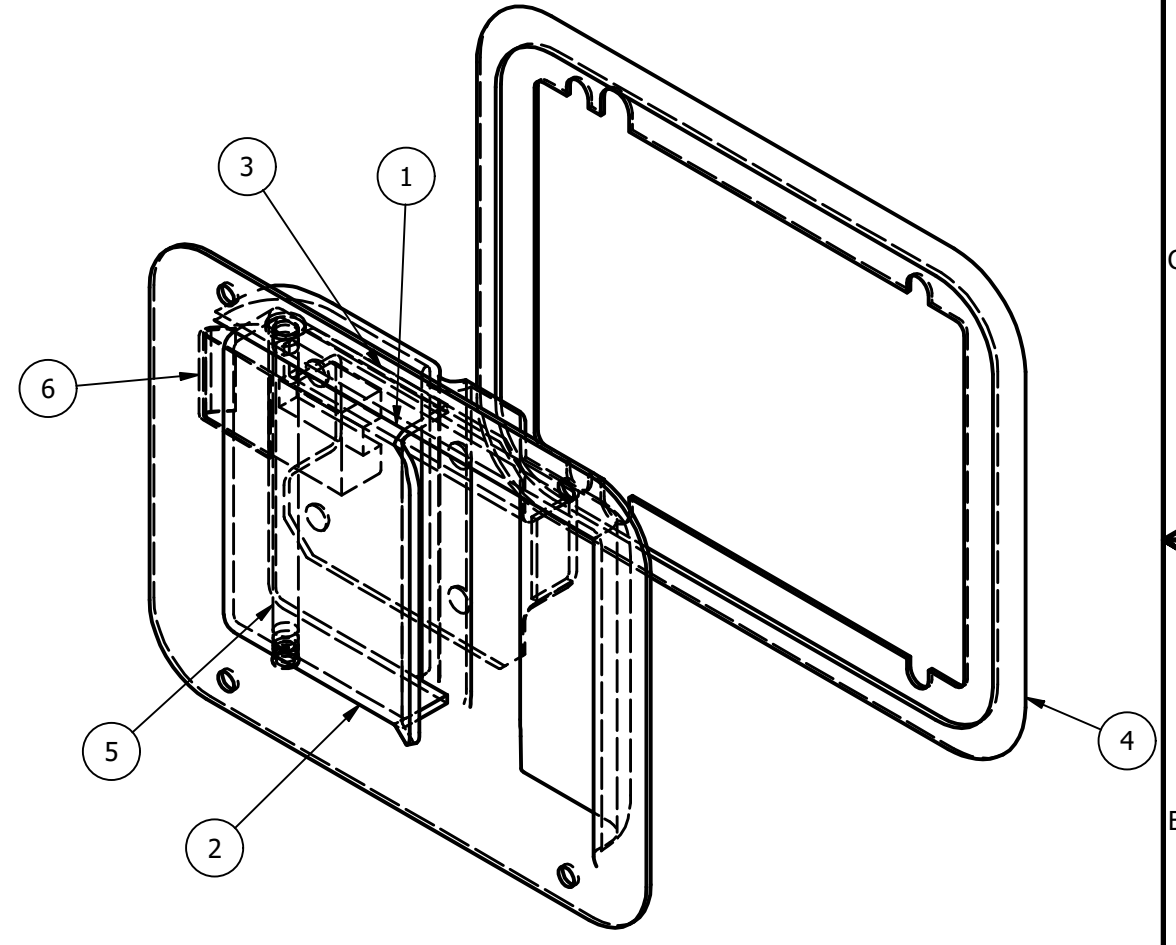
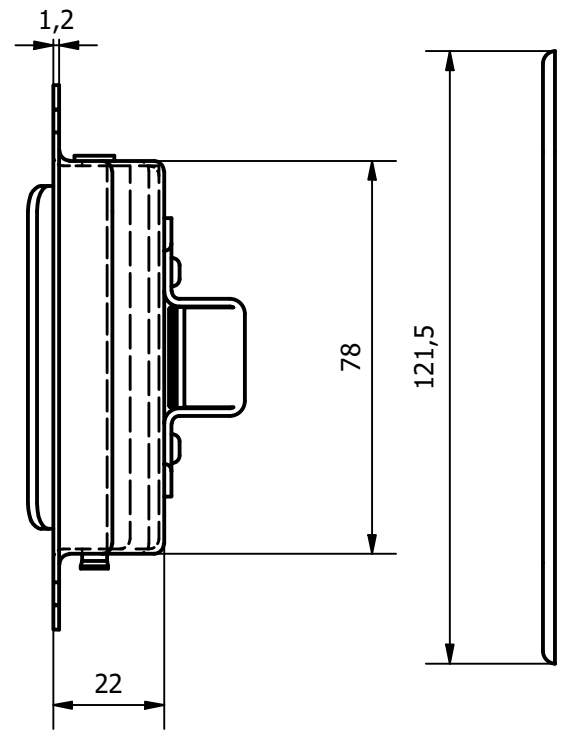
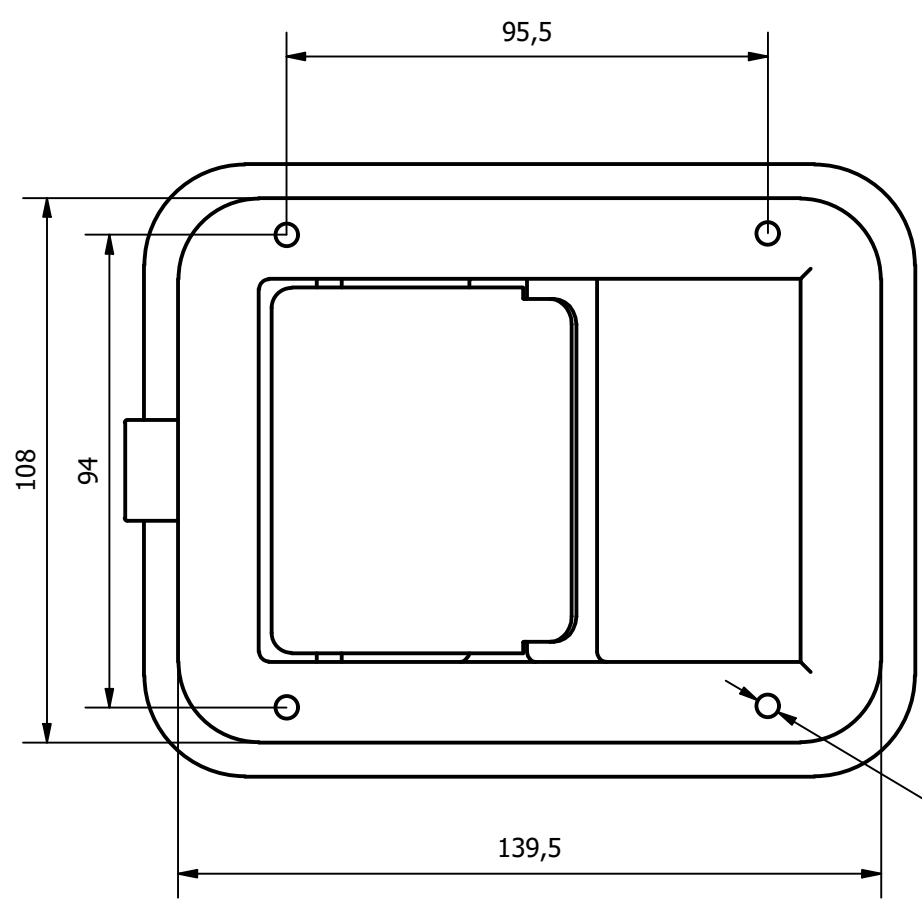
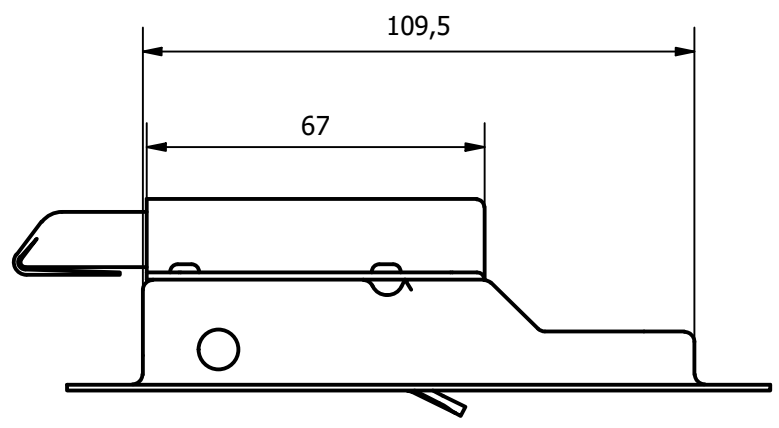
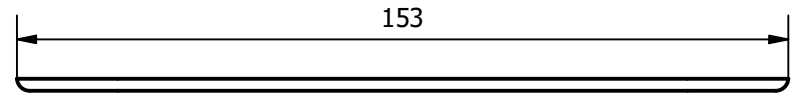


PARTS LIST			
ITEM	QTY	PART NUMBER	DESCRIPTION
1	1	0912-4012-3	S/STEEL PADDLE LOCK MAIN BODY
2	1	0912-401-1	S/STEEL RELEASE HANDLE - NATURAL
3	1	0912-411-3	S/STEEL TONGUE COVER - NATURAL
4	1	0912-411-11	BLACK PLASTIC GASKET
5	1	0912-411-12	S/STEEL RIVET - NATURAL
6	1	0910-415-5	S/STEEL-PRESSED TONGUE



1	VALIDATION COMPLETE	06/10/21	C.H
REV	DESCRIPTION	DATE	APPROVED

GENERAL TOLERANCES ON LENGTHS
0.5 - 6 ± 0.1mm
6 - 30 ± 0.2mm
30 - 120 ± 0.3mm
120 - 400 ± 0.5mm
400 - 1000 ± 0.8mm
1000 - 2000 ± 1.2mm
2000 - 4000 ± 2.0mm

ALBERT JAGGER LTD
 GREEN LANE
 WALSALL PHONE: 01922 471000
 WEST MIDLANDS FAX: 01922 648021
 WS2 8HG

THIS DRAWING & THE DESIGN SHOWN ARE THE PROPERTY OF ALBERT JAGGER LTD AND MUST NOT BE USED OR COPIED BY A THIRD PARTY WITHOUT PERMISSION

DRAWN BY S.R	CHECKED BY C.H	SCALE 1:1.5	MATERIAL SEE TABLE	MASS 0.476 kg	FINISH SEE TABLE	Date 05/10/2021	ALL DIMS IN MM UNLESS STATED DO NOT SCALE	A3
						NON LOCKING S/STEEL PADDLE LOCK		
						0912-401	Edition 1	Sheet 1 / 1