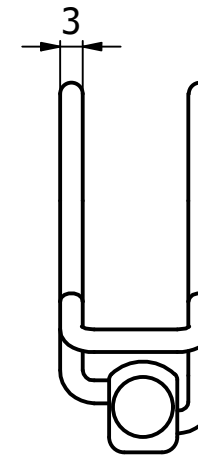
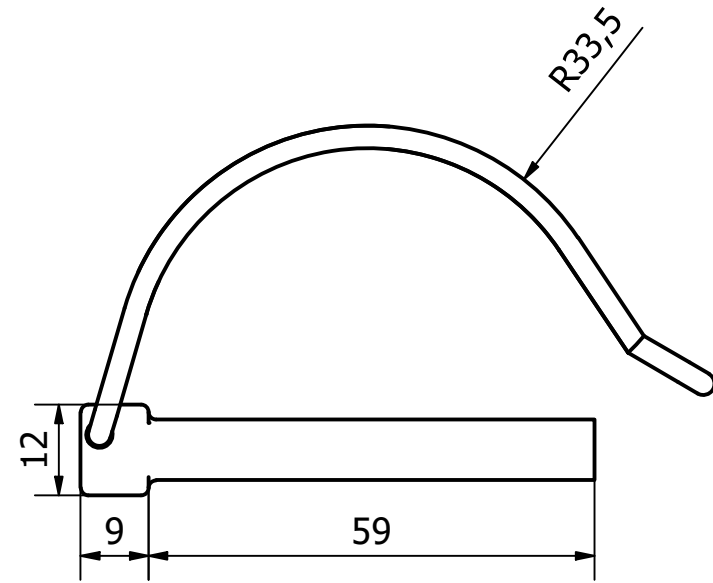
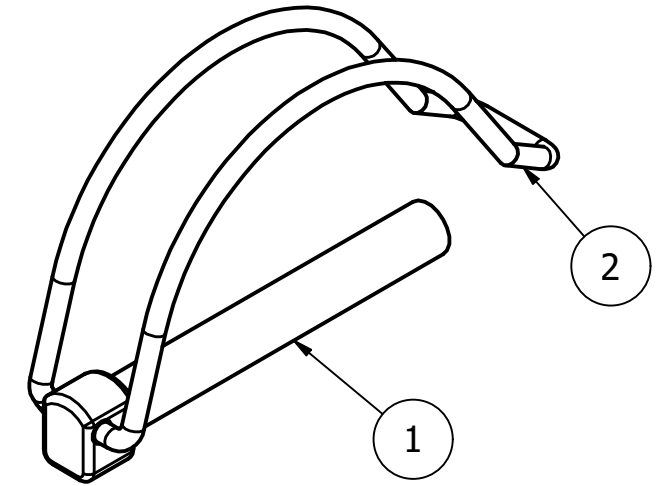
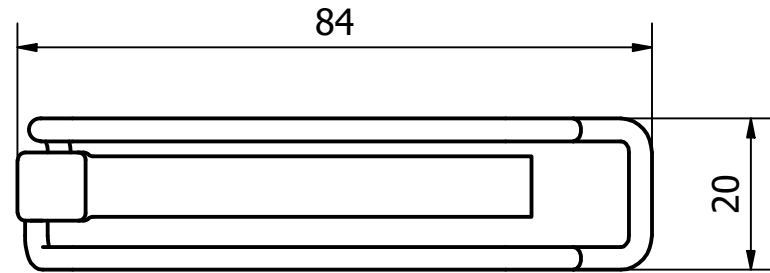


PARTS LIST			
ITEM	QTY	PART NUMBER	DESCRIPTION
1	1	1056-798-2	M/STEEL PIN
2	1	1056-798-3	M/STEEL BAR



NOTE

FINISH: ZINC PLATED TO FE ZN 8C

SUITS Ø55MM BAR MAX

GENERAL TOLERANCES ON LENGTHS
0.5 - 6 ± 0.1mm
6 - 30 ± 0.2mm
30 - 120 ± 0.3mm
120 - 400 ± 0.5mm
400 - 1000 ± 0.8mm
1000 - 2000 ± 1.2mm
2000 - 4000 ± 2.0mm

ALBERT JAGGER LTD
 GREEN LANE
 WALSALL PHONE: 01922 471000
 WEST MIDLANDS FAX: 01922 648021
 WS2 8HG

THIS DRAWING & THE DESIGN SHOWN ARE THE PROPERTY OF ALBERT JAGGER LTD AND MUST NOT BE USED OR COPIED BY A THIRD PARTY WITHOUT PERMISSION

DRAWN BY

K.M

CHECKED BY

A.P



SCALE

1 : 1

MATERIAL

M/STEEL

MASS

0.044 kg

FINISH

SEE NOTE

Date

30/03/2022

ALL DIMS IN MM UNLESS STATED DO NOT SCALE

A3

1	VALIDATION COMPLETE	05/04/22	C.H
REV	DESCRIPTION	DATE	APPROVED
	PIPE PIN		
	1056-798	Edition	Sheet 1 / 1