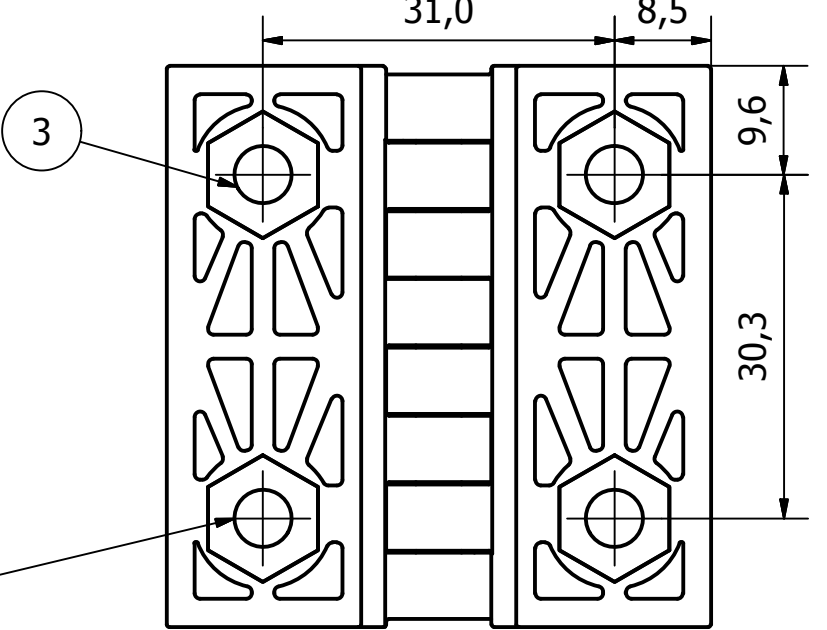
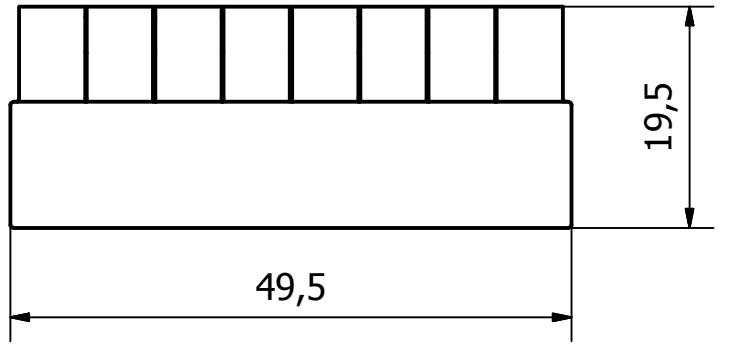
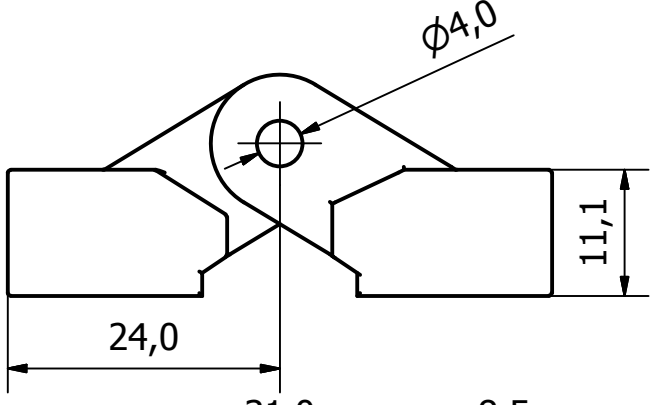
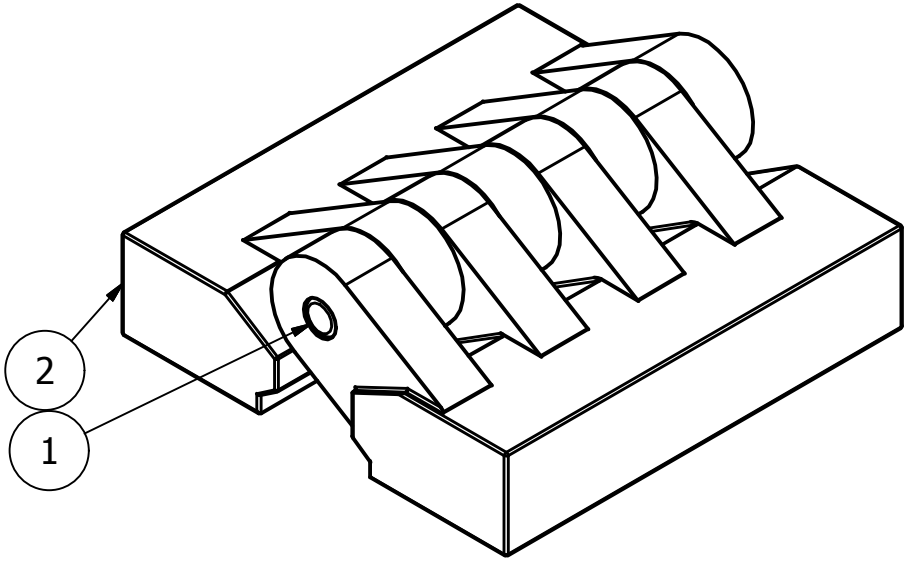


PARTS LIST			
ITEM	QTY	PART NUMBER	DESCRIPTION
1	1	1346-003-2	SS HINGE PIN - 48 O/A
2	2	1346-004-1	HINGE BODY
3	4	1346-004-2	M5 SS HEXAGON INSERT



4 x M5 HOLES

GENERAL TOLERANCES ON LENGTHS
0.5 - 6 ± 0.1mm
6 - 30 ± 0.2mm
30 - 120 ± 0.3mm
120 - 400 ± 0.5mm
400 - 1000 ± 0.8mm
1000 - 1200 ± 1.2mm
2000 - 4000 ± 2.0mm

ALBERT JAGGER LTD  
 GREEN LANE  
 WALSALL PHONE: 01922 471000  
 WEST MIDLANDS FAX: 01922 648021  
 WS2 8HG

THIS DRAWING & THE DESIGN SHOWN ARE THE PROPERTY OF ALBERT JAGGER LTD AND MUST NOT BE USED OR COPIED BY A THIRD PARTY WITHOUT PERMISSION

DRAWN BY U.F  
 CHECKED BY A.P



SCALE 1.5: 1

MATERIAL -

MASS 0.044 kg

FINISH BLACK

Date 11/10/2016

ALL DIMS IN MM UNLESS STATED DO NOT SCALE

A3



CABINET HINGE - 48 x 49.5 WITH SS M5 INSERTS

1346-004

Edition 1	Sheet 1 / 1
-----------	-------------