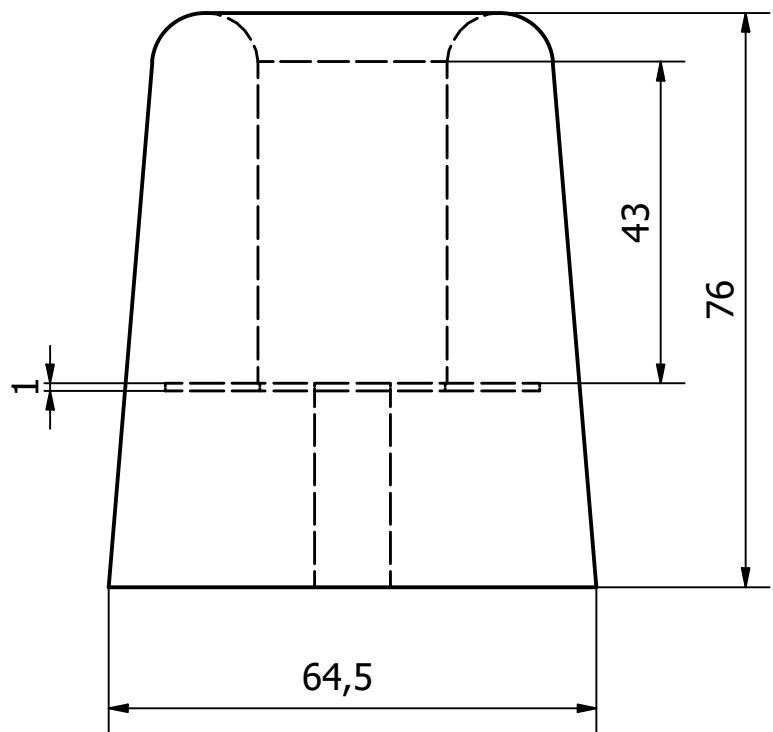
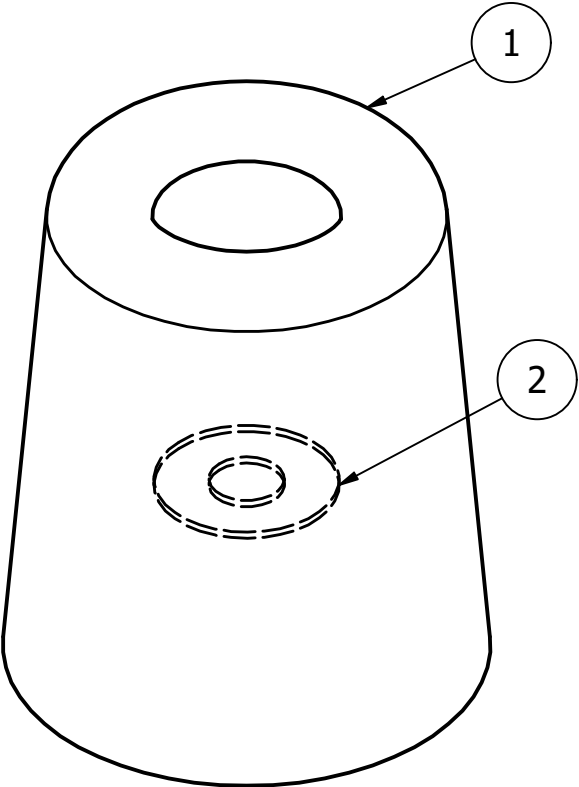
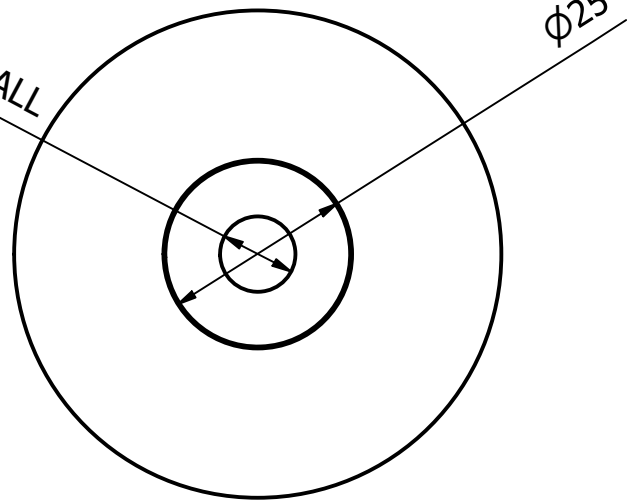


| PARTS LIST |     |             |               |
|------------|-----|-------------|---------------|
| ITEM       | QTY | PART NUMBER | DESCRIPTION   |
| 1          | 1   | 2028-003-1  | RUBBER BUFFER |
| 2          | 1   | 2028-003-2  | M/STEEL DISC  |

Ø10 HOLE THROUGH ALL



| 1   | VALIDATION COMPLETE | 17/11/2020 | A.P      |
|-----|---------------------|------------|----------|
| REV | DESCRIPTION         | DATE       | APPROVED |

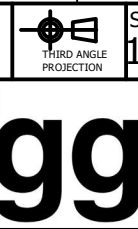
| GENERAL TOLERANCES ON LENGTHS |  |
|-------------------------------|--|
| 0.5 - 6 ± 0.1mm               |  |
| 6 - 30 ± 0.2mm                |  |
| 30 - 120 ± 0.3mm              |  |
| 120 - 400 ± 0.5mm             |  |
| 400 - 1000 ± 0.8mm            |  |
| 1000 - 2000 ± 1.2mm           |  |
| 2000 - 4000 ± 2.0mm           |  |

ALBERT JAGGER LTD  
 GREEN LANE  
 WALSALL PHONE: 01922 471000  
 WEST MIDLANDS FAX: 01922 648021  
 WS2 8HG

THIS DRAWING & THE DESIGN SHOWN ARE THE PROPERTY OF ALBERT JAGGER LTD AND MUST NOT BE USED OR COPIED BY A THIRD PARTY WITHOUT PERMISSION

DRAWN BY  
K.M

CHECKED BY  
A.P



SCALE  
1 : 1

MATERIAL  
SEE TABLE

MASS  
0.164 kg

FINISH  
SEE TABLE

Date  
28/10/2020

ALL DIMS IN MM UNLESS STATED DO NOT SCALE

A3



CONICAL BUFFER - 76MM STAND OFF

2028-003

Edition 1 Sheet 1 / 1