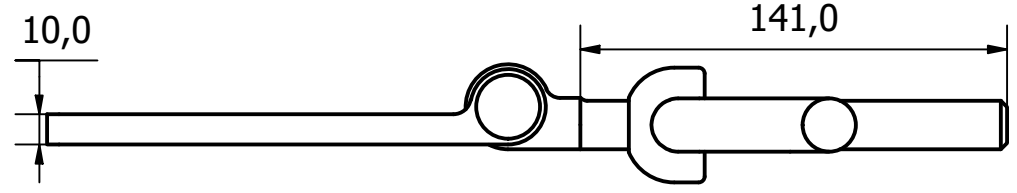
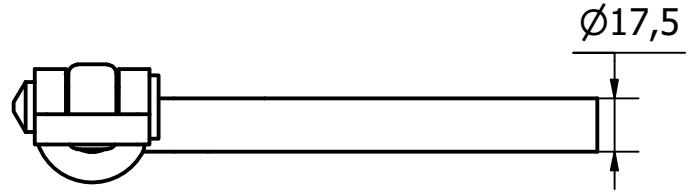
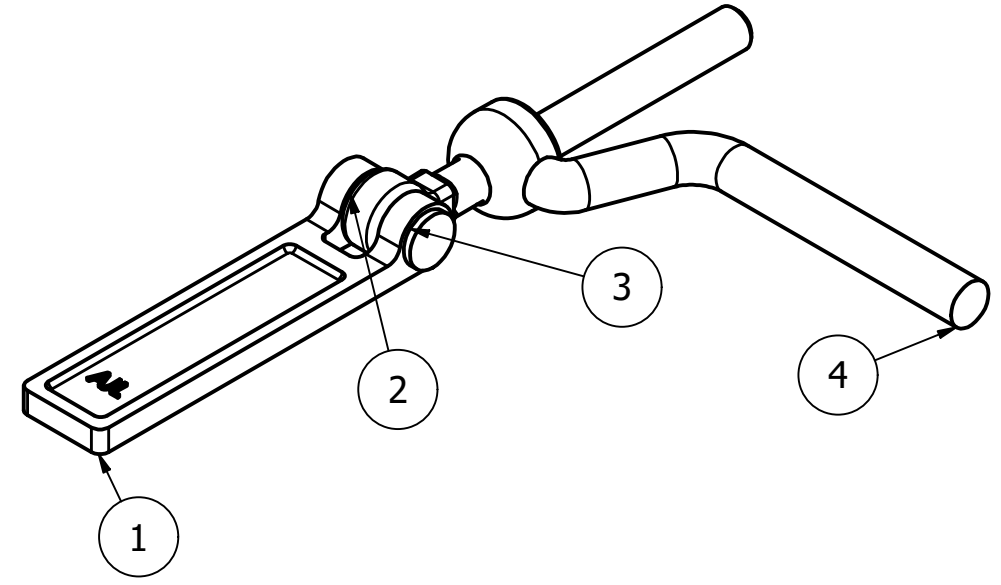
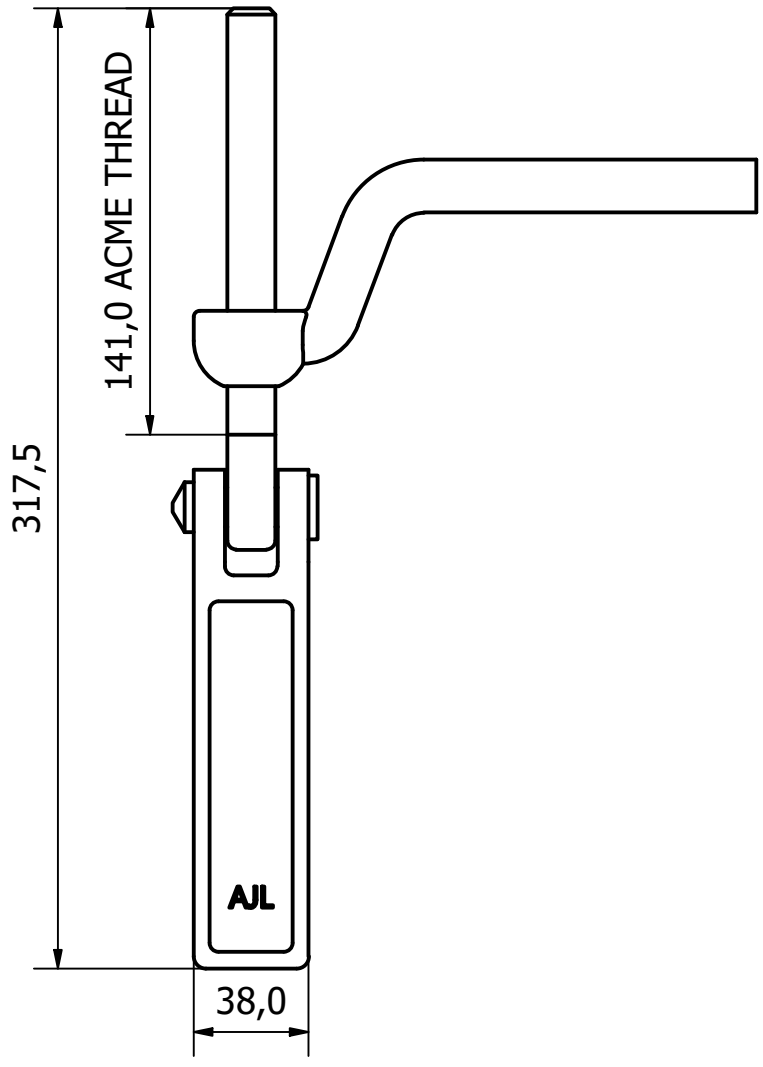


6 1 5 1 4 3 1 2 1 1

PARTS LIST			
ITEM	QTY	PART NUMBER	DESCRIPTION
1	1	2056-221-1	M/STEEL FASTENER BODY - ZINC PLATED
2	1	2056-221-2	M/STEEL ACME THREAD SHANK - ZINC PLATED
3	1	2056-221-3	M/STEEL RIVET - ZINC PLATED
4	1	2056-221-4	M/STEEL HANDLE - ZINC PLATED

D  
C  
B  
A



1	VALIDATION COMPLETE	24/05/19	A.P
REV	DESCRIPTION	DATE	APPROVED

GENERAL TOLERANCES ON LENGTHS
0.5 - 6 ± 0.1mm
6 - 30 ± 0.2mm
30 - 120 ± 0.3mm
120 - 400 ± 0.5mm
400 - 1000 ± 0.8mm
1000 - 2000 ± 1.2mm
2000 - 4000 ± 2.0mm

ALBERT JAGGER LTD  
 GREEN LANE  
 WALSALL PHONE: 01922 471000  
 WEST MIDLANDS FAX: 01922 648021  
 WS2 8HG

THIS DRAWING & THE DESIGN SHOWN ARE THE PROPERTY OF ALBERT JAGGER LTD AND MUST NOT BE USED OR COPIED BY A THIRD PARTY WITHOUT PERMISSION

DRAWN BY  
A.S

CHECKED BY  
A.P



SCALE  
1:2.5

MATERIAL  
SEE DRAWING

MASS  
1.281 kg

FINISH  
SEE DRAWING

Date  
08/05/2019

ALL DIMS IN MM UNLESS STATED DO NOT SCALE

A3



RAMP FASTENER ASSEMBLY - ACME THREAD

2056-221

Edition  
1

Sheet  
1 / 1

6 1 5 1 4 3 1 2 1 1