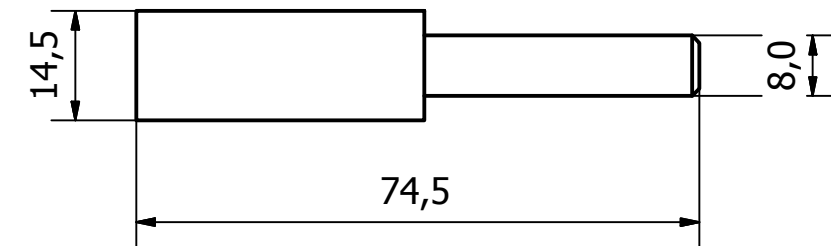
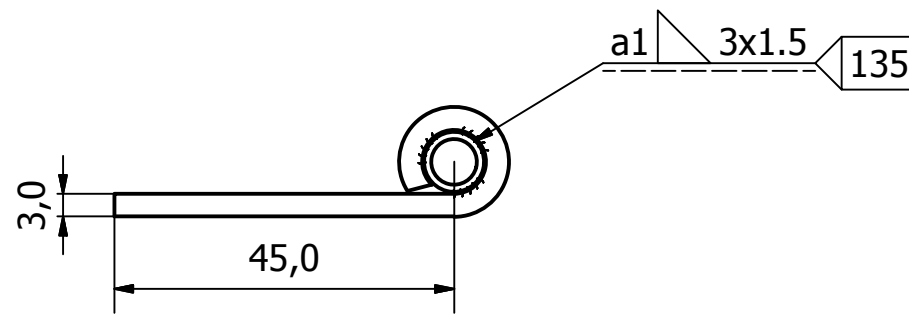
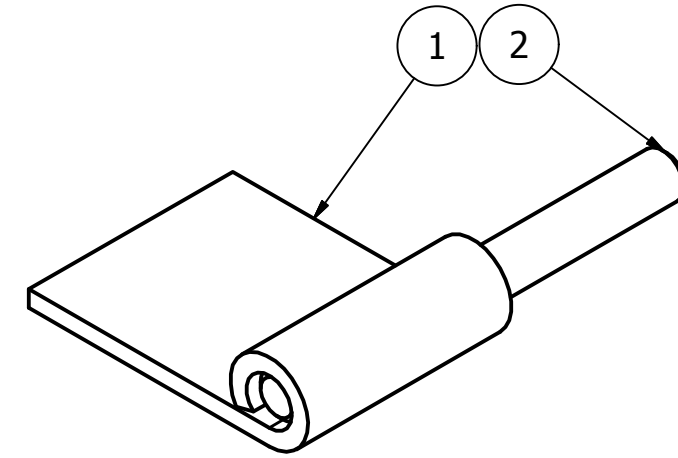
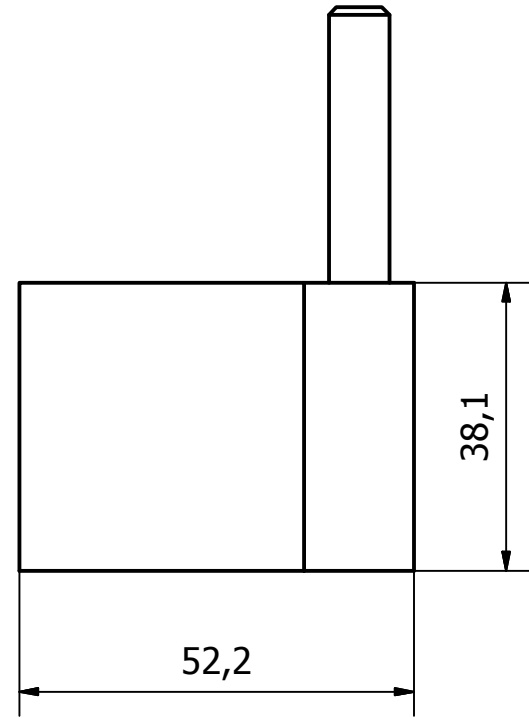


PARTS LIST			
ITEM	QTY	PART NUMBER	DESCRIPTION
1	1	2214-001-1	HINGE BASE - SELF COLOUR STEEL
2	1	2214-001-2	HINGE PIN - SELF COLOUR STEEL 72.4 O/A



1	VALIDATION COMPLETE	22/12/16	A.P
REV	DESCRIPTION	DATE	APPROVED
U.F	A.P	19/10/2016	A3
SCALE	MATERIAL	MASS	FINISH
1 : 1	-	0.097 kg	NATURAL
LIFT OFF HINGE - LH MALE UNBUSHED		Date	ALL DIMS IN MM UNLESS STATED DO NOT SCALE
2214-001		1	1 / 1

GENERAL TOLERANCES ON LENGTHS
0.5 - 6 ± 0.1mm
6 - 30 ± 0.2mm
30 - 120 ± 0.3mm
120 - 400 ± 0.5mm
400 - 1000 ± 0.8mm
1000 - 1200 ± 1.2mm
2000 - 4000 ± 2.0mm

ALBERT JAGGER LTD
 GREEN LANE
 WALSALL PHONE: 01922 471000
 WEST MIDLANDS FAX: 01922 648021
 WS2 8HG

THIS DRAWING & THE DESIGN SHOWN ARE THE PROPERTY OF ALBERT JAGGER LTD AND MUST NOT BE USED OR COPIED BY A THIRD PARTY WITHOUT PERMISSION

DRAWN BY
 U.F

CHECKED BY
 A.P



SCALE
 1 : 1

MATERIAL
 -

MASS
 0.097 kg

FINISH
 NATURAL

Date
 19/10/2016

ALL DIMS IN MM UNLESS STATED DO NOT SCALE

A3



LIFT OFF HINGE - LH MALE UNBUSHED
 2214-001