

6 1 5 1 4 3 1 2 1 1

D

D

C

C

B

B

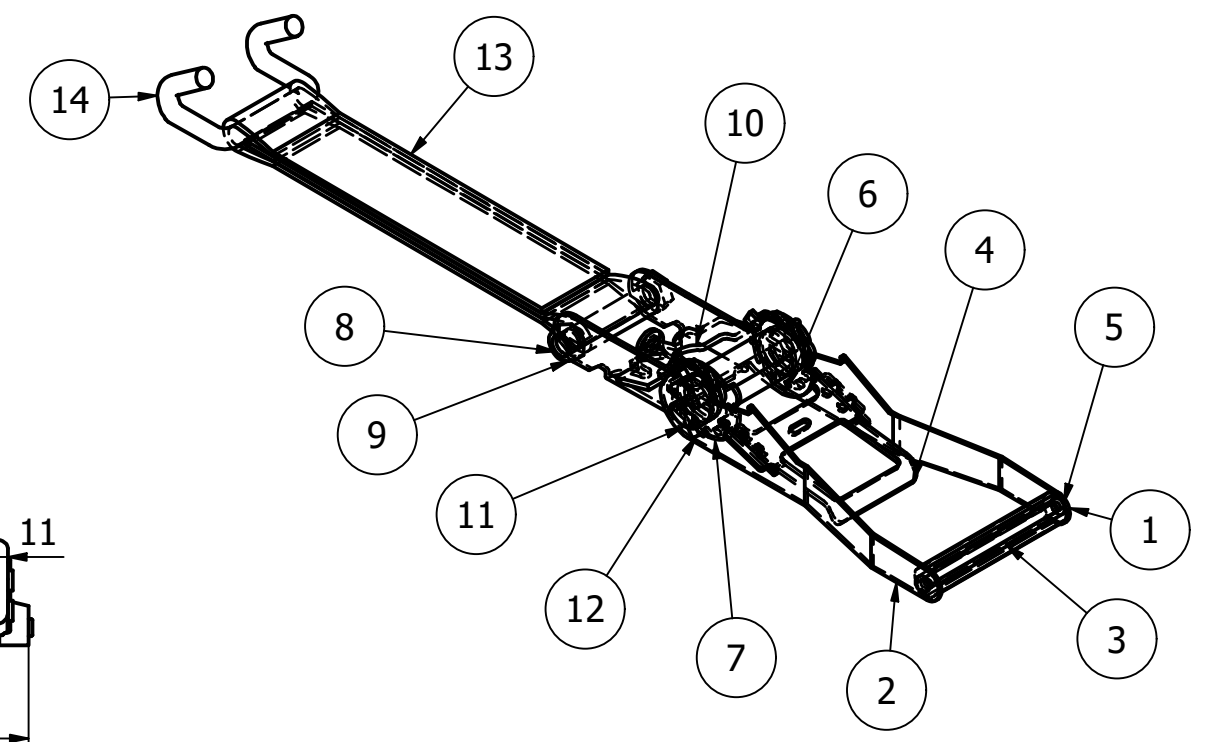
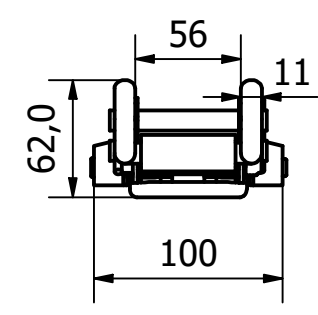
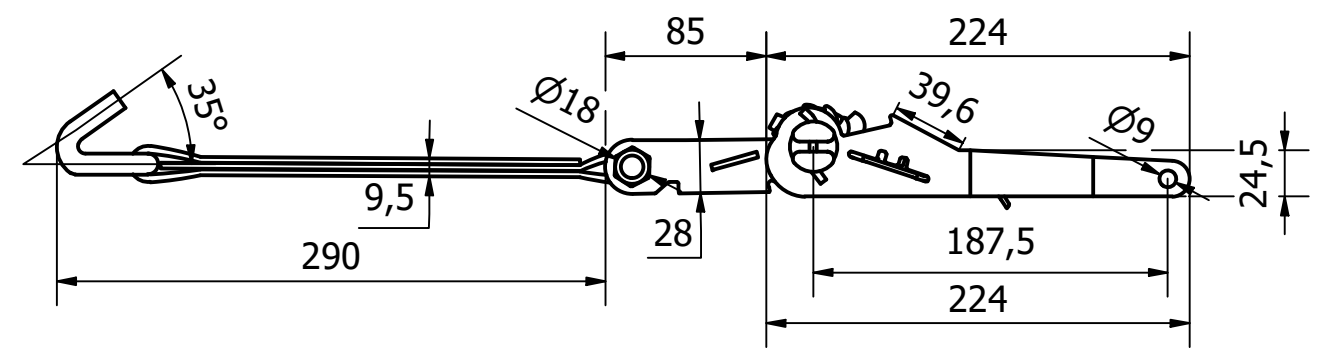
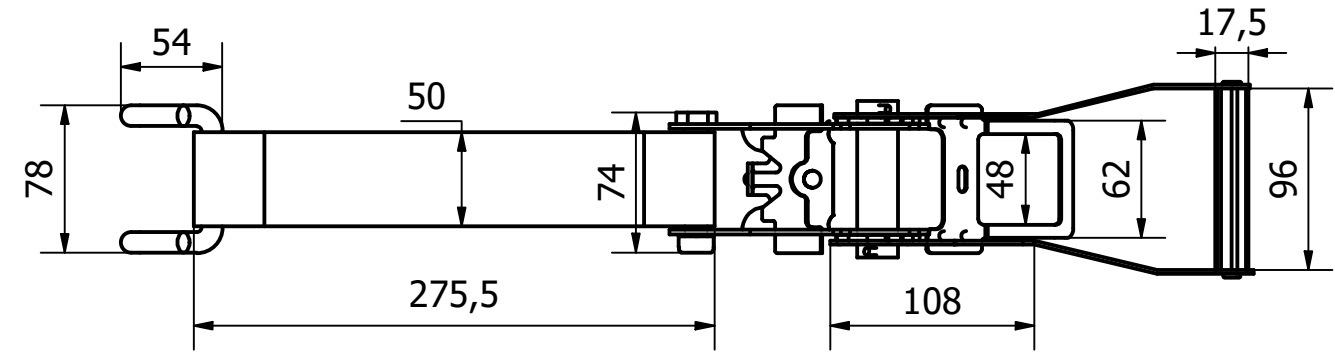
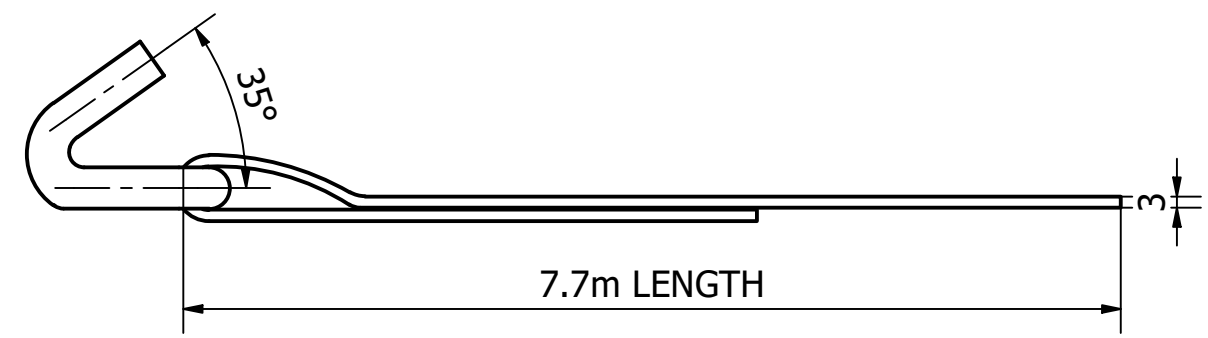
A

A

PARTS LIST

ITEM	QTY	PART NUMBER	DESCRIPTION
1	1	3000-5183-1	M/STEEL-RH CLAMP PANLE
2	1	3000-5183-2	M/STEEL-LH CLAMP PANLE
3	1	3000-5183-3	RUBBER HANDLE- BLACK
4	1	3000-5183-4	M/STEEL- RATCHET LOCK HANDLE
5	1	3000-5183-5	M/STEEL- RIVIT BOLTS
6	1	3000-5183-6	M/STEEL- MECHANISM COGS
7	1	3000-5183-7	M/STEEL- RATCHET AND STRAP SUPPORT
8	1	3000-5183-8	M/STEEL- BOLT
9	1	3000-5183-9	M/STEEL - BOLT NUT
10	1	3000-5183-10	M/STEEL- LOCK SUPPORT
11	2	3000-5183-11	M/STEEL- RATCHET CROSSBAR
12	2	3000-5183-12	M/STEEL- LOCKING PIN
13	1	3000-5183-14	POLYESTER-0.3 M WEBBED STRAP-BLUE
14	1	3000-5183-13	M/STEEL - CLAW HOOK

SECONDARY STRAP



NOTE:

STRAPS:
LASHING CAPACITY LC 2500daN
BREAK FORCE MIN (BFmin) 5000daN
MANUFACTURED IN ACCORDANCE WITH: BS EN12195-2:2001

NOT TO BE USED FOR LIFTING

GENERAL TOLERANCES ON LENGTHS

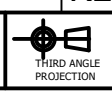
0.5 - 6 ± 0.1mm
6 - 30 ± 0.2mm
30 - 120 ± 0.3mm
120 - 400 ± 0.5mm
400 - 1000 ± 0.8mm
1000 - 2000 ± 1.2mm
2000 - 4000 ± 2.0mm

ALBERT JAGGER LTD
GREEN LANE
WALSALL PHONE: 01922 471000
WEST MIDLANDS FAX: 01922 648021
WS2 8HG

THIS DRAWING & THE DESIGN SHOWN ARE THE PROPERTY OF ALBERT JAGGER LTD AND MUST NOT BE USED OR COPIED BY A THIRD PARTY WITHOUT PERMISSION

DRAWN BY
S.R

CHECKED BY
C.H



SCALE
1 : 4

MATERIAL
SEE TABLE

MASS
1.097 kg

FINISH
SEE TABLE

Date
07/02/2022

ALL DIMS IN MM UNLESS STATED DO NOT SCALE

A3



HEAVY DUTY RATCHET STRAP
3000-5183
Edition 1
Sheet 1 / 1

6 1 5 1 4 3 1 2 1 1