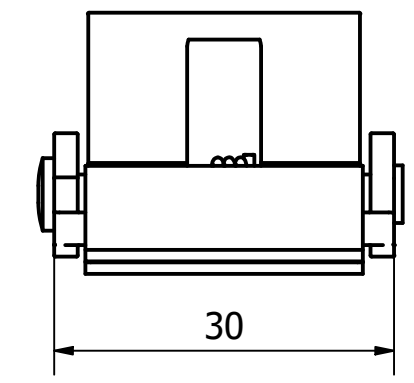
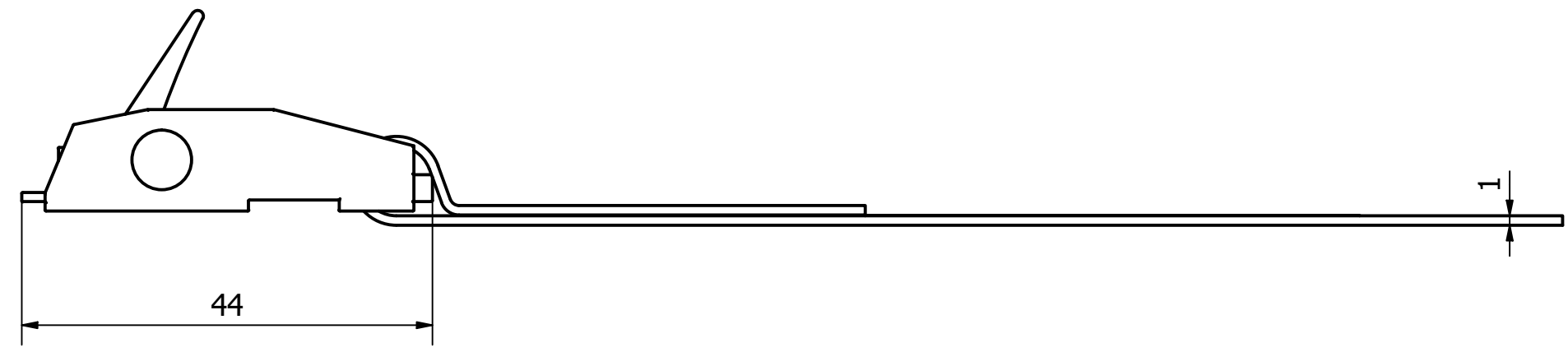
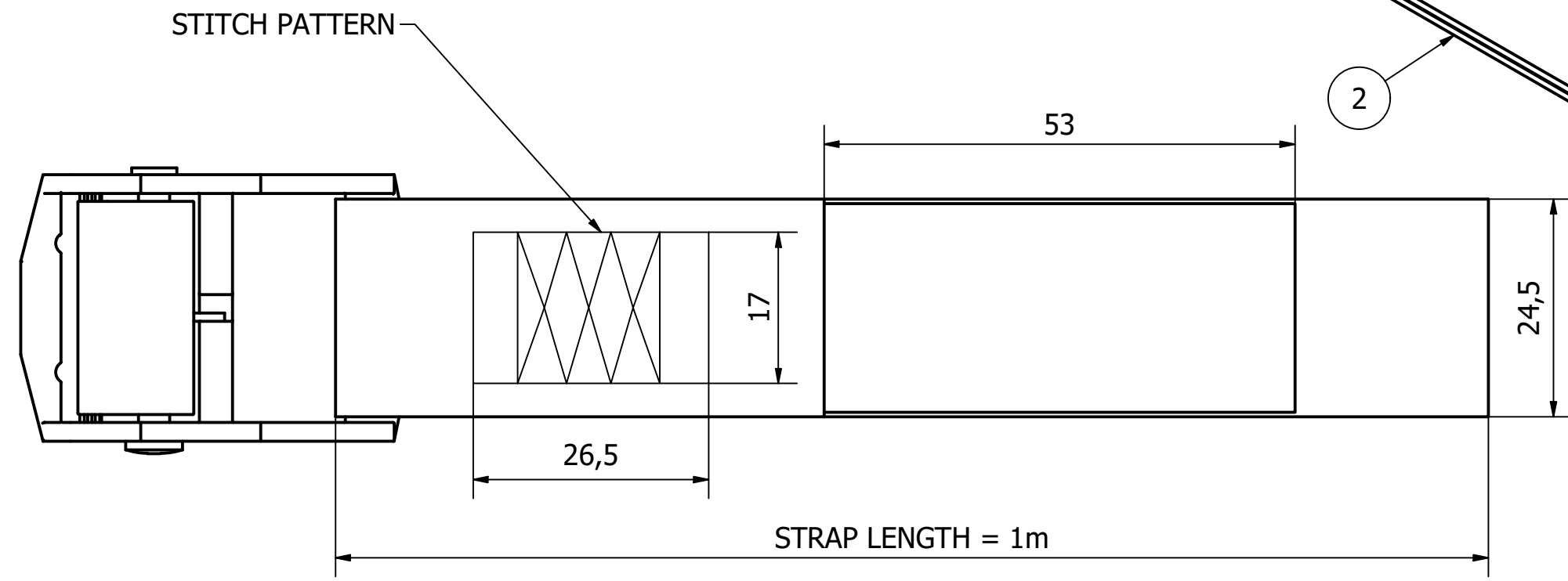
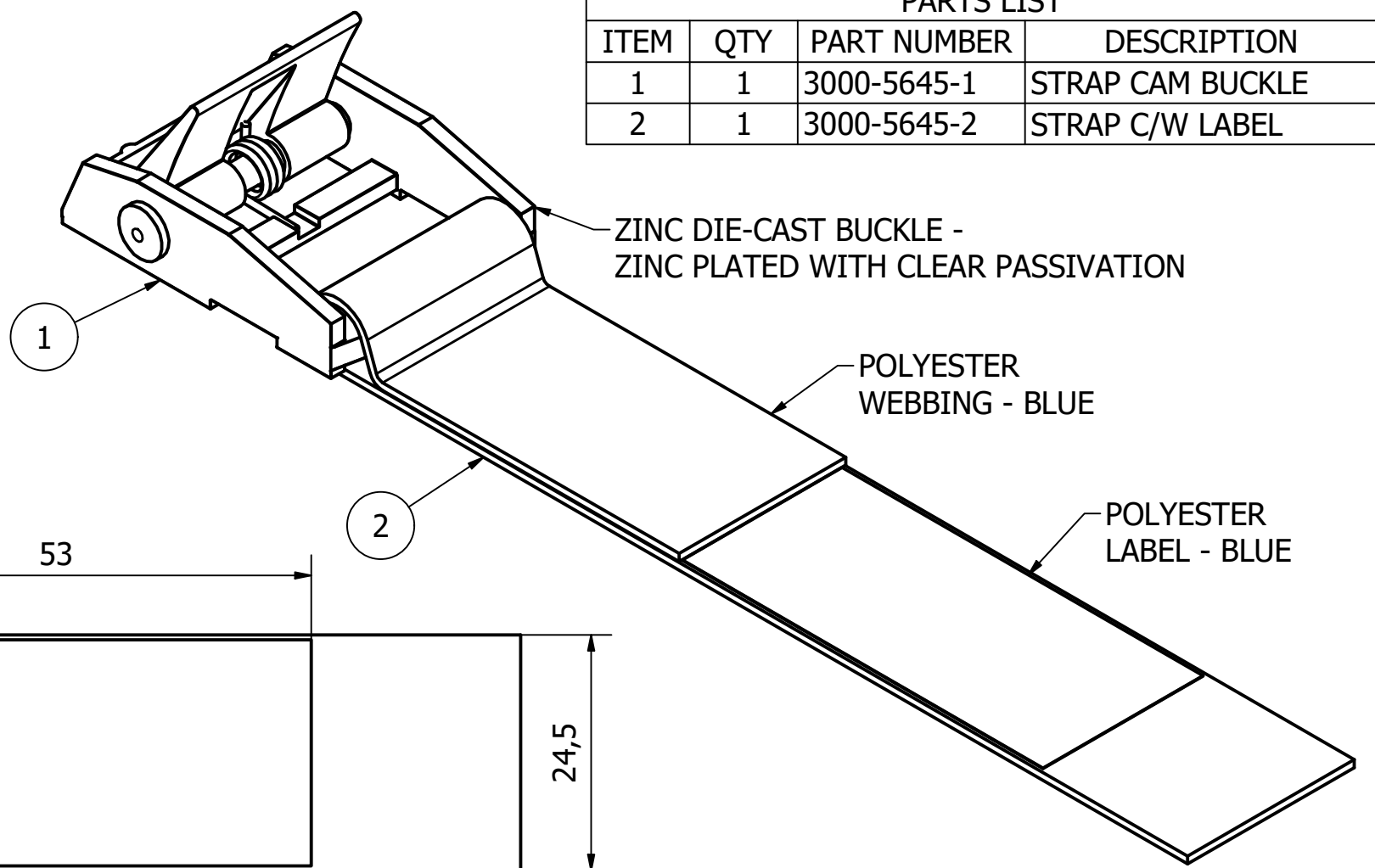


PARTS LIST			
ITEM	QTY	PART NUMBER	DESCRIPTION
1	1	3000-5645-1	STRAP CAM BUCKLE
2	1	3000-5645-2	STRAP C/W LABEL



NOTE:
 MIN BREAK FORCE - 5000N
 LOADING CAPACITY (LC) - 2500N
 ELONGATION OF WEB AT LC - <7%
 MANUFACTURED IN ACCORDANCE WITH BS EN12195-2:2001
 NOT TO BE USED FOR LIFTING

GENERAL TOLERANCES ON LENGTHS
0.5 - 6 ± 0.1mm
6 - 30 ± 0.2mm
30 - 120 ± 0.3mm
120 - 400 ± 0.5mm
400 - 1000 ± 0.8mm
1000 - 2000 ± 1.2mm
2000 - 4000 ± 2.0mm

ALBERT JAGGER LTD
 GREEN LANE
 WALSALL PHONE: 01922 471000
 WEST MIDLANDS FAX: 01922 648021
 WS2 8HG
 THIS DRAWING & THE DESIGN SHOWN ARE THE PROPERTY OF ALBERT JAGGER LTD AND MUST NOT BE USED OR COPIED BY A THIRD PARTY WITHOUT PERMISSION

DRAWN BY U.F
 CHECKED BY C.H
 SCALE 3:2
 MATERIAL SEE DRAWING
 MASS 0.041 kg
 FINISH SEE DRAWING
 Date 01/02/2022
 ALL DIMS IN MM UNLESS STATED DO NOT SCALE

REV	DESCRIPTION	DATE	APPROVED
1	VALIDATION COMPLETE	02/02/2022	C.H

albert Jagger
 CAM BUCKLE STRAP - 500KG
 3000-5645
 Edition 1
 Sheet 1 / 1