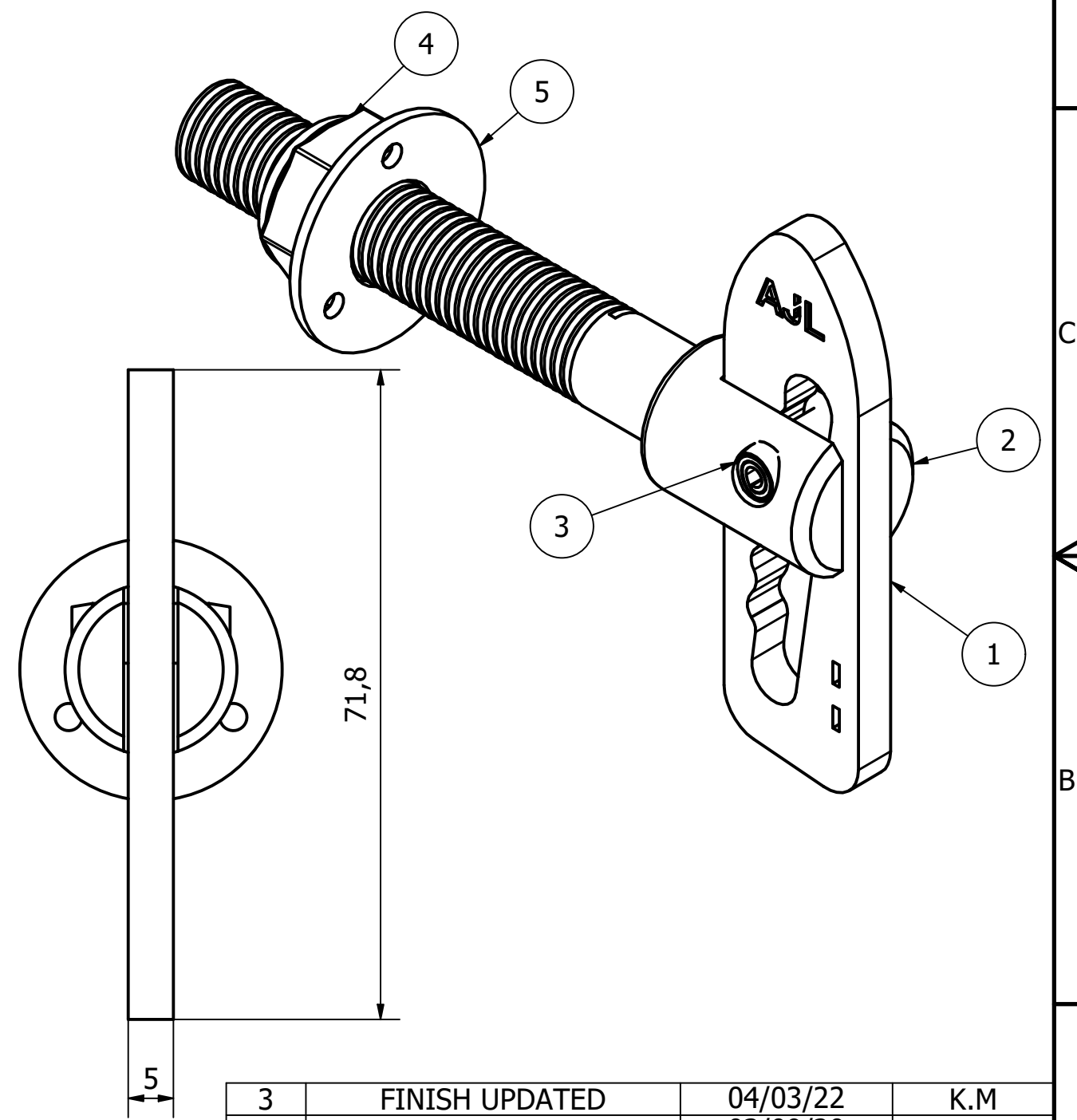


PARTS LIST			
ITEM	QTY	PART NUMBER	DESCRIPTION
1	1	3330319	LARGE A/L COTTER - M/STEEL
2	1	3244-001 BOSS	M/STEEL A/L BOSS - M12 THREAD
3	1	3330233	ANTILUCE SPIRAL PIN - STD
4	1	15CW12100	M/STEEL M12 NYLOC NUT
5	1	1489	M/STEEL TAB WASHER - 29 O/D



REV	DESCRIPTION	DATE	APPROVED
3	FINISH UPDATED	04/03/22	K.M
2	NOTE ADDED	03/09/20	U.F
1	VALIDATION COMPLETE	05/07/17	A.P

NOTE
 FINISH: ZINC PLATED TO 8 MICRONS THICK WITH J500 CLEAR TOP COAT
 NUT AND TAB WASHER TO BE SUPPLIED LOOSE

GENERAL TOLERANCES ON LENGTHS
0.5 - 6 ± 0.1mm
6 - 30 ± 0.2mm
30 - 120 ± 0.3mm
120 - 400 ± 0.5mm
400 - 1000 ± 0.8mm
1000 - 2000 ± 1.2mm
2000 - 4000 ± 2.0mm

ALBERT JAGGER LTD
 GREEN LANE
 WALSALL PHONE: 01922 471000
 WEST MIDLANDS FAX: 01922 648021
 WS2 8HG
 THIS DRAWING & THE DESIGN SHOWN ARE THE PROPERTY OF ALBERT JAGGER LTD AND MUST NOT BE USED OR COPIED BY A THIRD PARTY WITHOUT PERMISSION

DRAWN BY U.F	CHECKED BY A.P	SCALE 3 : 2	MATERIAL M/STEEL	MASS 0.160 kg	FINISH SEE NOTE	Date 12/04/2017	ALL DIMS IN MM UNLESS STATED DO NOT SCALE	A3
		BOLT ON M12 ANTILUCE™ 76MM SHANK C/W 63 THREAD AND SLOT					Edition 3	
		3244-001					Sheet 1 / 1	