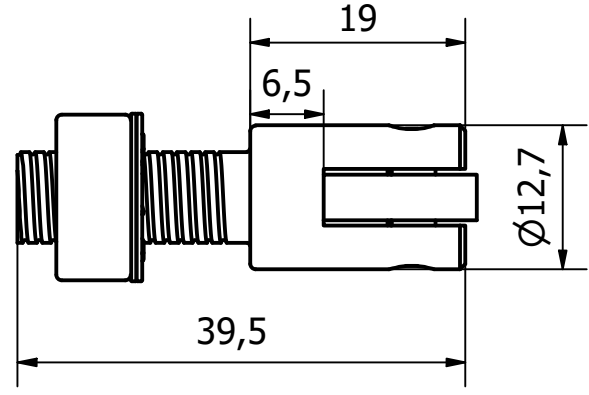


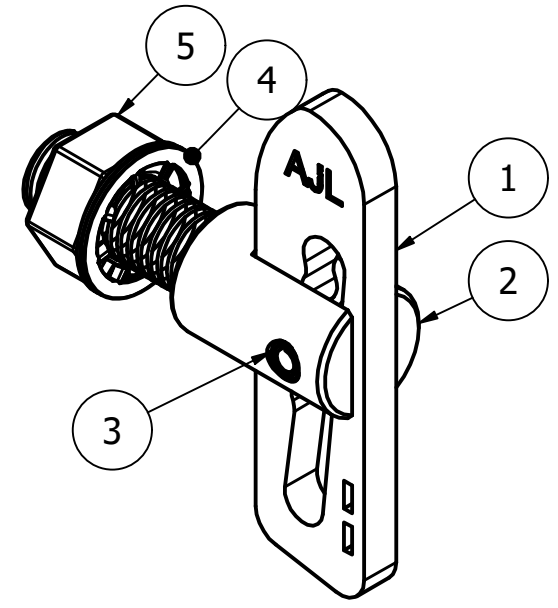
6 1 5 1 4 3 1 2 1 1

PARTS LIST			
ITEM	QTY	PART NUMBER	DESCRIPTION
1	1	3330313	SMALL BABY COTTER M/S
2	1	3285-001 BOSS	M/STEEL M8 BOSS - 39 O/A
4	2	BW1026	M8 SHAKEPROOF WASHER ZP
3	1	3330236	M/STEEL SMALL ROLL PIN
5	1	BN1044	M/STEEL M8 NUT

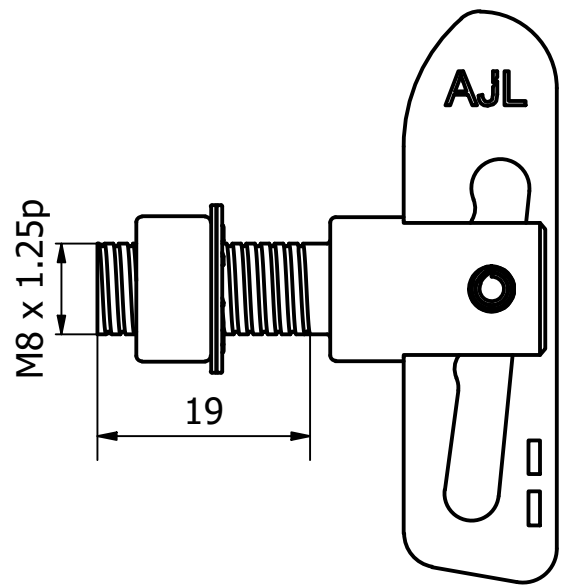
D



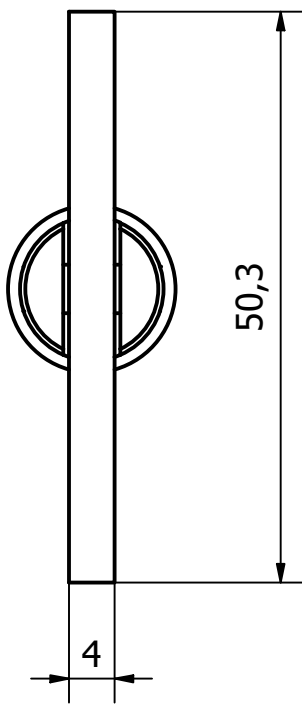
2



C



2



B

B

A

A

NOTE
FINISH: ZINC PLATED TO 8 MICRONS THICK WITH J500 CLEAR TOP COAT

GENERAL TOLERANCES ON LENGTHS
0.5 - 6 ± 0.1mm
6 - 30 ± 0.2mm
30 - 120 ± 0.3mm
120 - 400 ± 0.5mm
400 - 1000 ± 0.8mm
1000 - 2000 ± 1.2mm
2000 - 4000 ± 2.0mm

ALBERT JAGGER LTD
GREEN LANE
WALSALL PHONE: 01922 471000
WEST MIDLANDS FAX: 01922 648021
WS2 8HG

THIS DRAWING & THE DESIGN SHOWN ARE THE PROPERTY OF ALBERT JAGGER LTD AND MUST NOT BE USED OR COPIED BY A THIRD PARTY WITHOUT PERMISSION

REV	DESCRIPTION	DATE	APPROVED
3	DESIGN CHANGED	08/03/22	K.M
2	COTTER AND BARREL PROFILES CORRECTED	20/07/17	U.F
1	VALIDATION COMPLETE	15/06/17	A.P

DRAWN BY U.F	CHECKED BY A.P	THIRD ANGLE PROJECTION	SCALE 1.5:1	MATERIAL M/STEEL	MASS 0.041 kg	FINISH SEE NOTE	Date 19/04/2017	ALL DIMS IN MM UNLESS STATED DO NOT SCALE	A3
				M8 ANTILUCE™ 18MM THREAD C/W NUT AND 2 WASHERS 3285-001					
							Edition 3	Sheet 1 / 1	

6 1 5 1 4 3 1 2 1 1