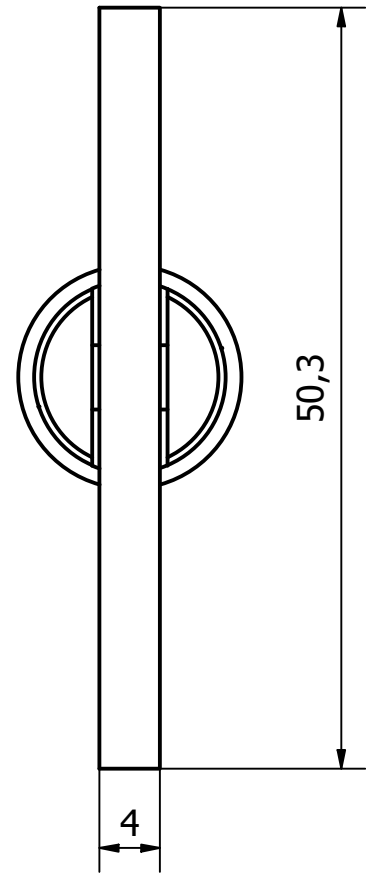
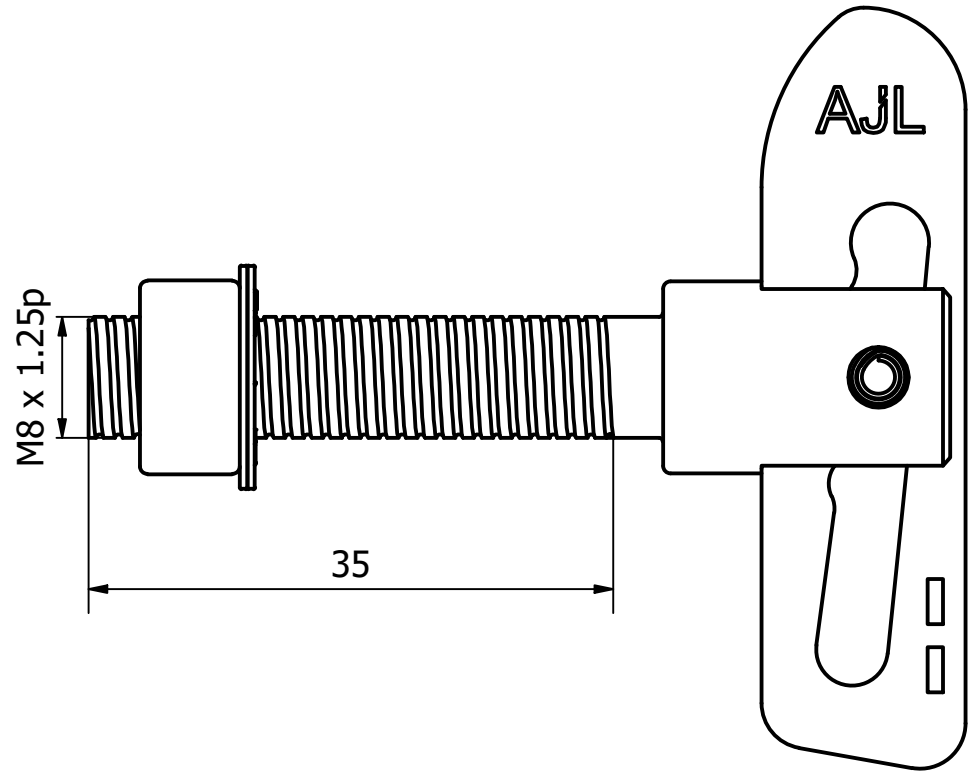
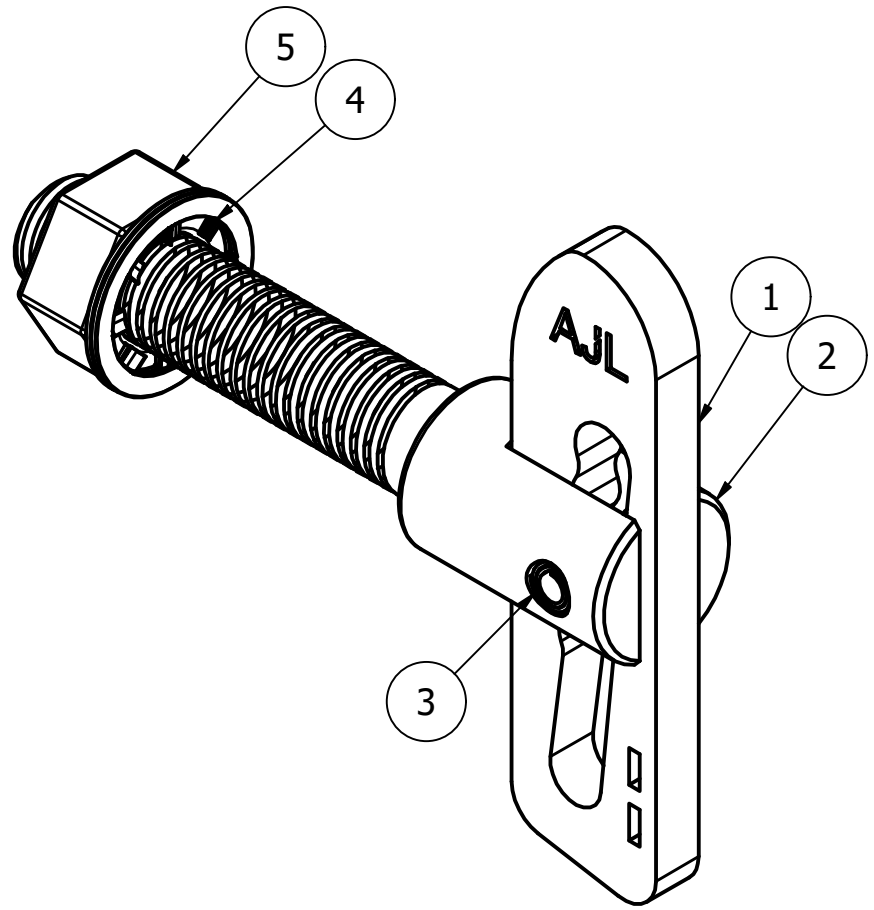
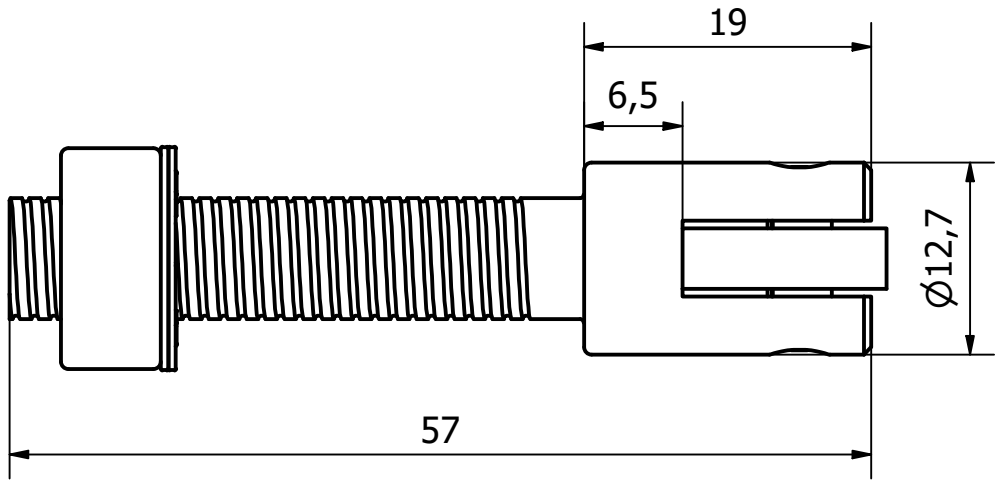


PARTS LIST

ITEM	QTY	PART NUMBER	DESCRIPTION
1	1	3330313	SMALL BABY COTTER M/S
2	1	3285-032 BOSS	M/STEEL A/L M8 BOSS
4	2	BW1026	M8 SHAKEPROOF WASHER ZP
3	1	3330236	M/STEEL SMALL ROLL PIN
5	1	BN1044	M/STEEL M8 NUT



REV	DESCRIPTION	DATE	APPROVED
1	VALIDATION COMPLETE	05/07/17	A.P
2	DESIGN UPDATED	08/03/22	K.M

NOTE  
FINISH: ZINC PLATED TO 8 MICRONS THICK WITH J500 CLEAR TOP COAT

GENERAL TOLERANCES ON LENGTHS

0.5 - 6 ± 0.1mm
6 - 30 ± 0.2mm
30 - 120 ± 0.3mm
120 - 400 ± 0.5mm
400 - 1000 ± 0.8mm
1000 - 2000 ± 1.2mm
2000 - 4000 ± 2.0mm

ALBERT JAGGER LTD  
GREEN LANE  
WALSALL PHONE: 01922 471000  
WEST MIDLANDS FAX: 01922 648021  
WS2 8HG

THIS DRAWING & THE DESIGN SHOWN ARE THE PROPERTY OF ALBERT JAGGER LTD AND MUST NOT BE USED OR COPIED BY A THIRD PARTY WITHOUT PERMISSION

DRAWN BY  
U.F

CHECKED BY  
A.P



SCALE  
2 : 1

MATERIAL  
M/STEEL

MASS  
0.048 kg

FINISH  
SEE NOTE

Date  
20/04/2017

ALL DIMS IN MM UNLESS STATED DO NOT SCALE

A3



M8 ANTILUCE™ 38MM SHANK 35MM THREAD NUT 2 WASHERS  
3285-032

Edition 2	Sheet 1 / 1
--------------	----------------