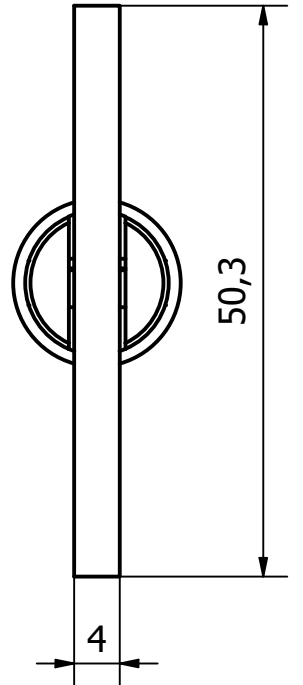
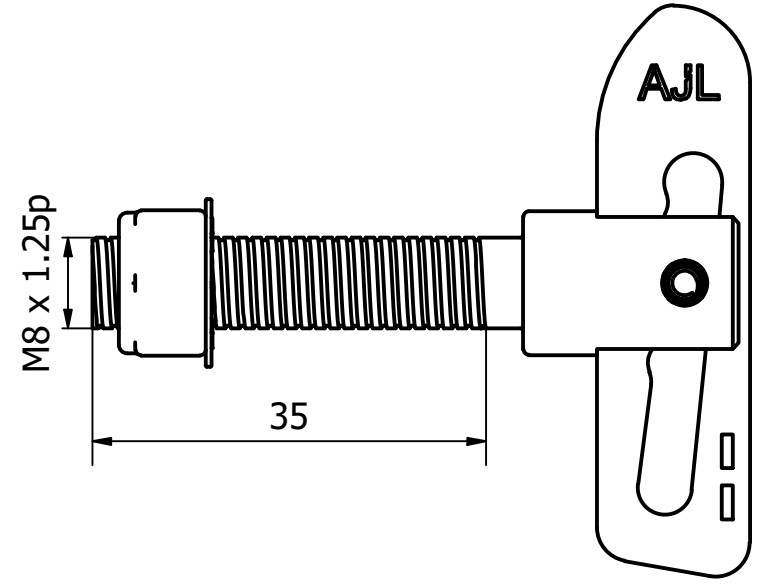
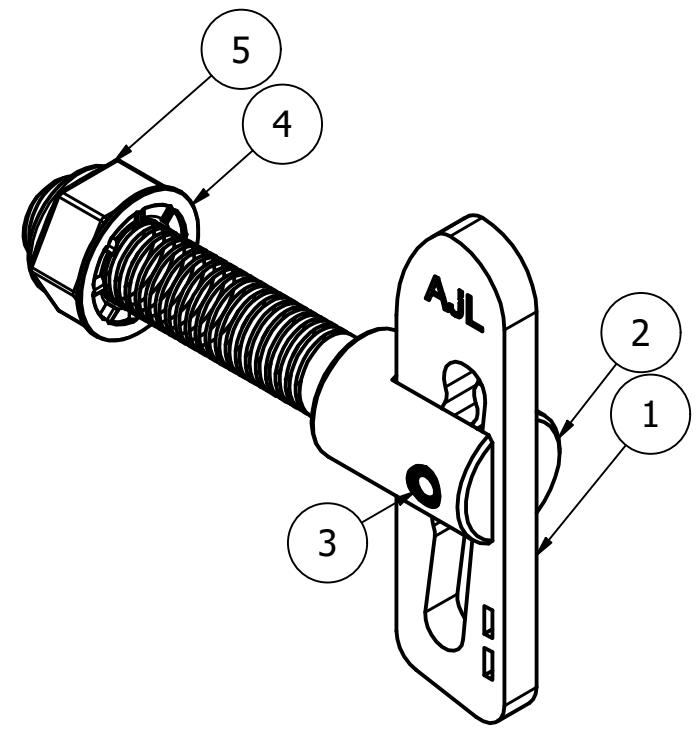
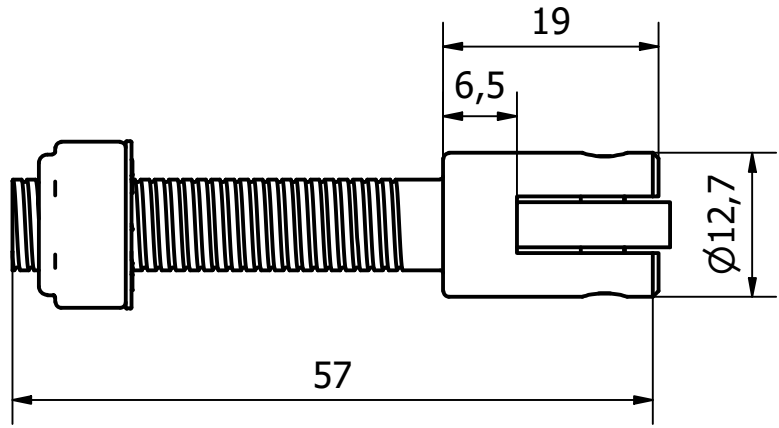


PARTS LIST			
ITEM	QTY	PART NUMBER	DESCRIPTION
1	1	3330313	SMALL BABY COTTER M/S
3	1	3330236	M/STEEL SMALL ROLL PIN
4	1	BW1026	M8 SHAKEPROOF WASHER ZP
2	1	3285-032 BOSS	M/STEEL A/L M8 BOSS
5	1	BN1045	M8 NYLOCK NUT- Z/C PASSIVATED



REV	DESCRIPTION	DATE	APPROVED
2	DESIGN UPDATED	08/03/22	K.M
1	VALIDATION COMPLETE	05/07/17	A.P

NOTE
FINISH: ZINC PLATED TO 8 MICRONS THICK WITH J500 CLEAR TOP COAT

GENERAL TOLERANCES ON LENGTHS	
0.5 - 6 ± 0.1mm	
6 - 30 ± 0.2mm	
30 - 120 ± 0.3mm	
120 - 400 ± 0.5mm	
400 - 1000 ± 0.8mm	
1000 - 2000 ± 1.2mm	
2000 - 4000 ± 2.0mm	

ALBERT JAGGER LTD
GREEN LANE
WALSALL PHONE: 01922 471000
WEST MIDLANDS FAX: 01922 648021
WS2 8HG

THIS DRAWING & THE DESIGN SHOWN ARE THE PROPERTY OF ALBERT JAGGER LTD AND MUST NOT BE USED OR COPIED BY A THIRD PARTY WITHOUT PERMISSION

DRAWN BY
U.F

CHECKED BY
A.P



SCALE
1.5:1

MATERIAL
M/STEEL

MASS
0.048 kg

FINISH
SEE NOTE

Date
20/04/2017

ALL DIMS IN MM UNLESS STATED DO NOT SCALE

A3



M8 ANTILUCE™ 35MM THREAD C/W NYLOC NUT
3285-1033

Edition 2	Sheet 1 / 1
--------------	----------------