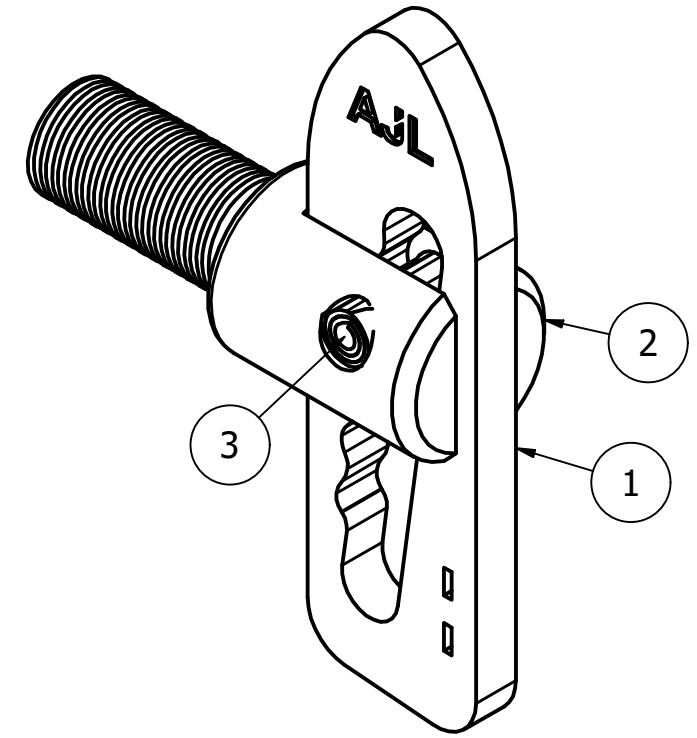
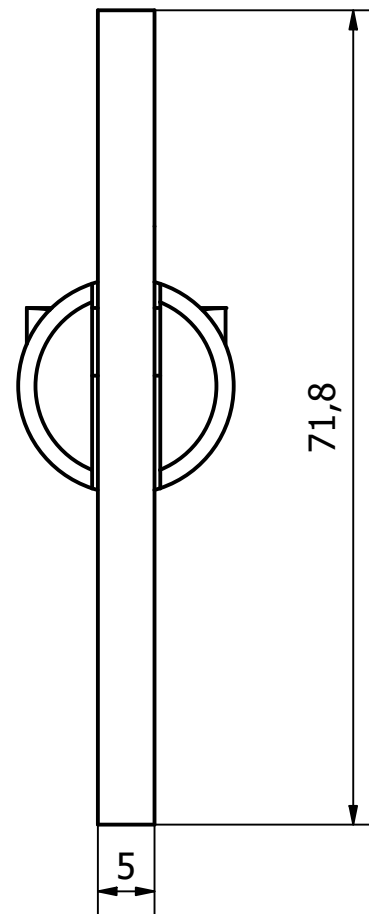
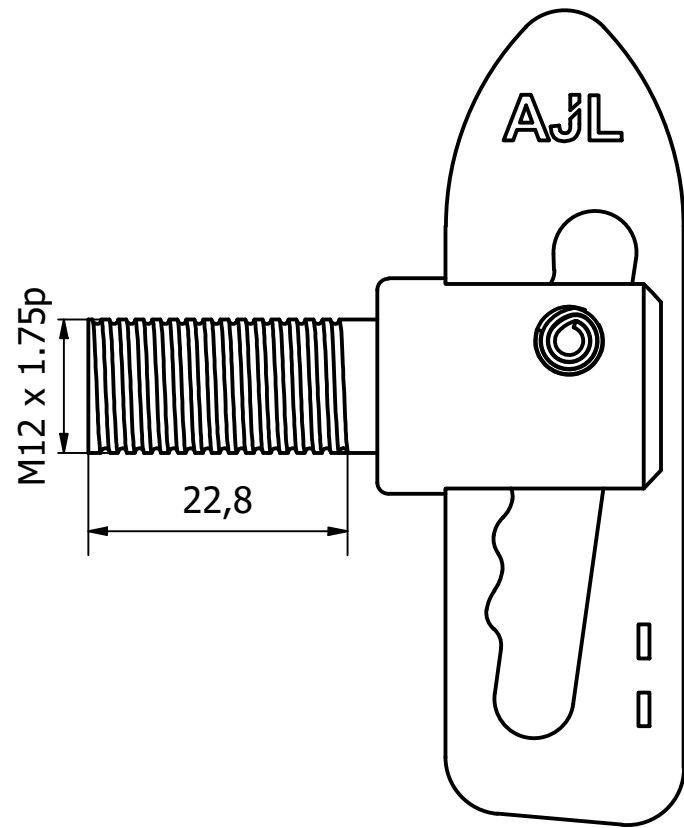
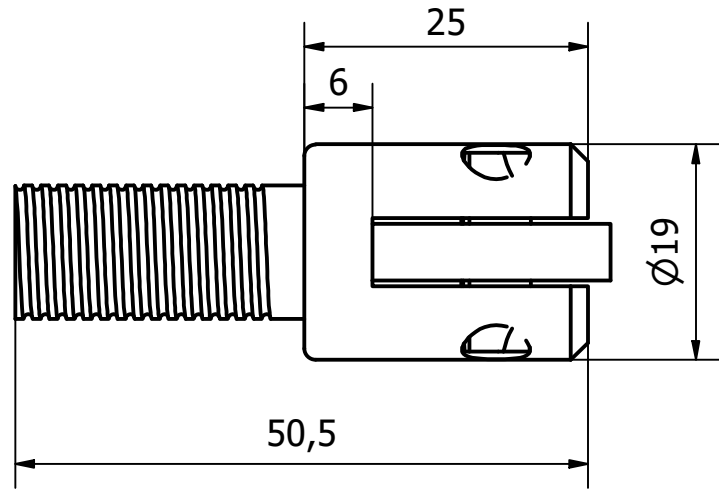


PARTS LIST			
ITEM	QTY	PART NUMBER	DESCRIPTION
1	1	3330321	LARGE A/L COTTER - S/STEEL 304
2	1	3330-061 BOSS	S/STEEL 304 A/L BOSS - M12 THREAD
3	1	3330234	S/STEEL LARGE ROLL PIN



REV	DESCRIPTION	DATE	APPROVED
2	DESIGN UPDATED	09/03/22	K.M
1	VALIDATION COMPLETE	25/05/17	A.P

GENERAL TOLERANCES ON LENGTHS
0.5 - 6 ± 0.1mm
6 - 30 ± 0.2mm
30 - 120 ± 0.3mm
120 - 400 ± 0.5mm
400 - 1000 ± 0.8mm
1000 - 1200 ± 1.2mm
2000 - 4000 ± 2.0mm

ALBERT JAGGER LTD
 GREEN LANE
 WALSALL PHONE: 01922 471000
 WEST MIDLANDS FAX: 01922 648021
 WS2 8HG

THIS DRAWING & THE DESIGN SHOWN ARE THE PROPERTY OF ALBERT JAGGER LTD AND MUST NOT BE USED OR COPIED BY A THIRD PARTY WITHOUT PERMISSION

DRAWN BY
 U.F

CHECKED BY
 A.P



SCALE
 1.5:1

MATERIAL
 S/STEEL

MASS
 0.102 kg

FINISH
 NATURAL

Date
 11/04/2017

ALL DIMS IN MM UNLESS STATED DO NOT SCALE

A3



BOLT ON M12 ANTILUCE™ 25.5MM SHANK C/W 22.5MM THREAD

3330-061

Edition 2 Sheet 1 / 1