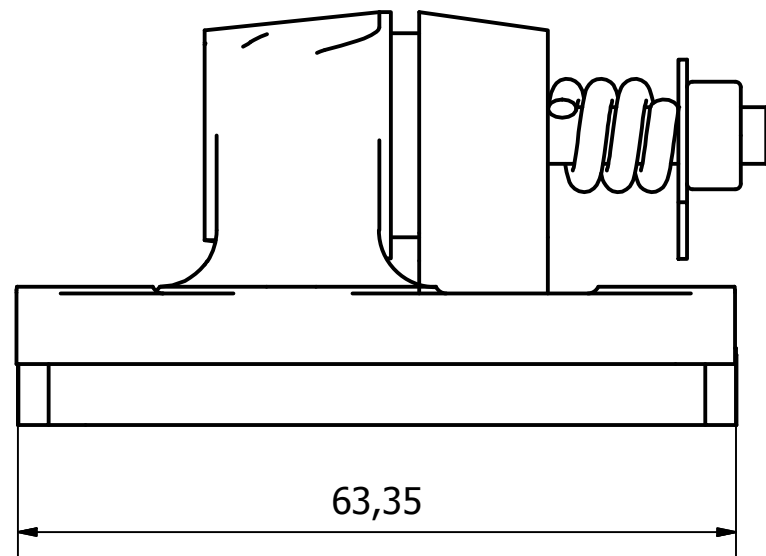
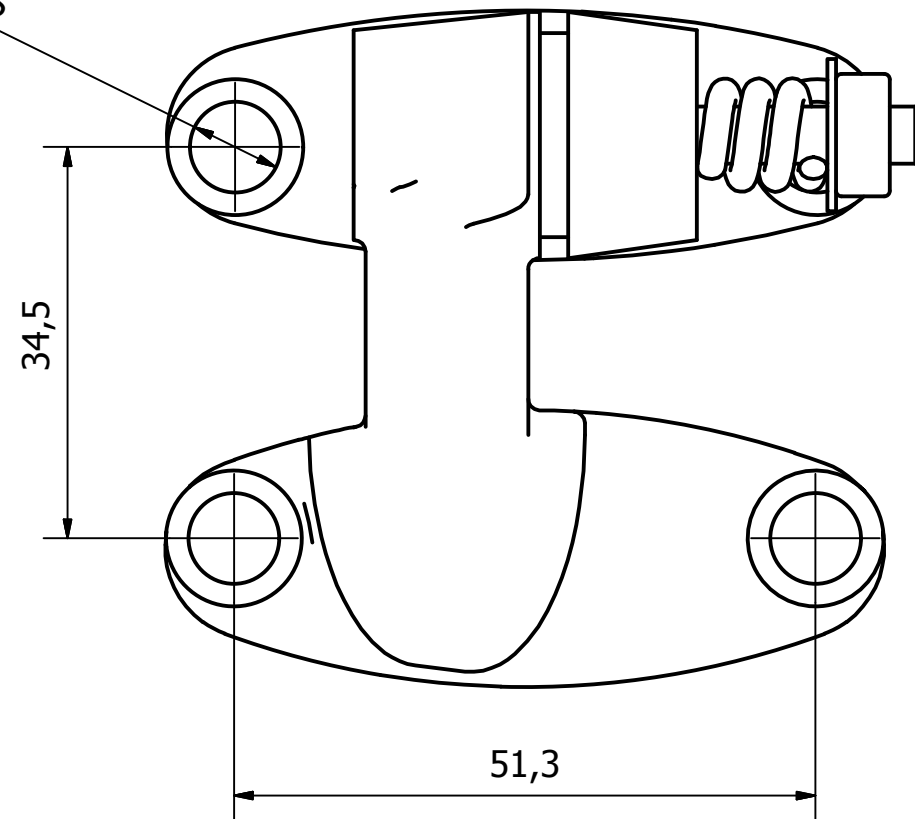
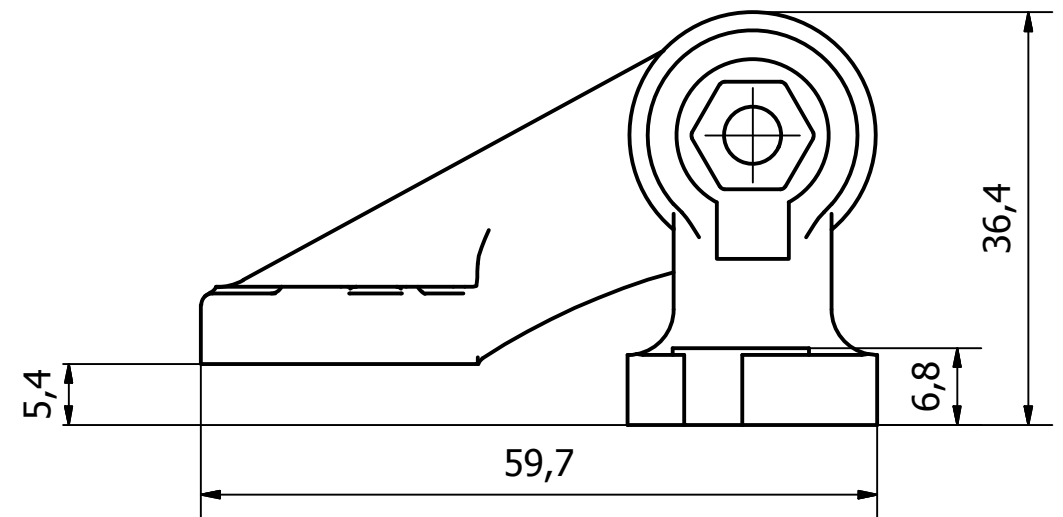
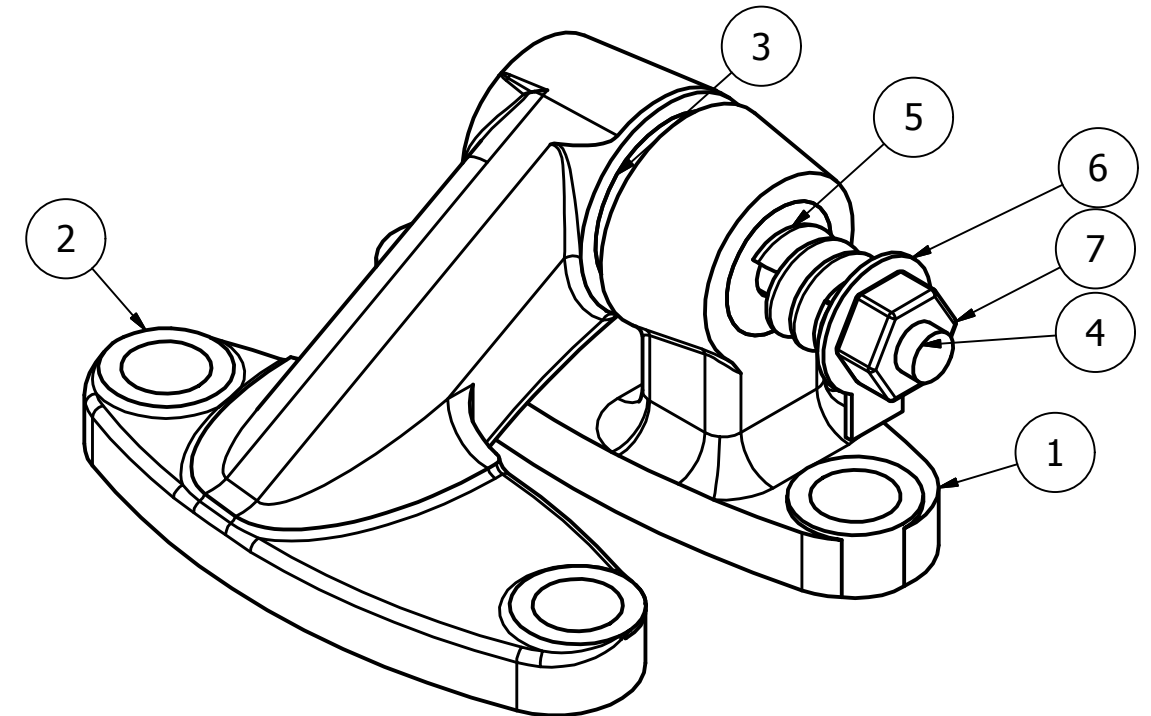


4 x Ø8,0 HOLES



PARTS LIST			
ITEM	QTY	PART NUMBER	DESCRIPTION
1	1	4291-001-2	MALLEABLE IRON HINGE MAIN FLAP -LH
2	1	4291-001-1	MALLEABLE IRON HINGE MOUNTING FLAP - LH
3	1	4291-001-3	INTERNAL BRASS BALL
4	1	4291-001-4	S/S M5 SCREW
5	1	4291-001-5	STEEL SPRING
6	1	4291-001-6	S/S KEY WASHER
7	1	4291-001-7	SS M5 NUT



PART NUMBER	ORIENTATION
4291/001	LEFT HAND
4291/002	RIGHT HAND

NOTE:  
HINGE DESIGNED FOR 270° OPENINGS

GENERAL TOLERANCES ON LENGTHS
0.5 - 6 ± 0.1mm
6 - 30 ± 0.2mm
30 - 120 ± 0.3mm
120 - 400 ± 0.5mm
400 - 1000 ± 0.8mm
1000 - 1200 ± 1.2mm
2000 - 4000 ± 2.0mm

ALBERT JAGGER LTD  
GREEN LANE  
WALSALL PHONE: 01922 471000  
WEST MIDLANDS FAX: 01922 648021  
WS2 8HG

THIS DRAWING & THE DESIGN SHOWN ARE THE PROPERTY OF ALBERT JAGGER LTD AND MUST NOT BE USED OR COPIED BY A THIRD PARTY WITHOUT PERMISSION

DRAWN BY  
U.F

CHECKED BY  
A.P



SCALE  
1.5:1

MATERIAL  
-

MASS  
0.236 kg

FINISH  
NATURAL

Date  
21/10/2016

ALL DIMS IN MM UNLESS STATED DO NOT SCALE

A3

1	VALIDATION COMPLETE	06/12/16	A.P
REV	DESCRIPTION	DATE	APPROVED



LH SELF ALIGNING HINGE - ADJ TENSION

4291-001

Edition  
1

Sheet  
1 / 1