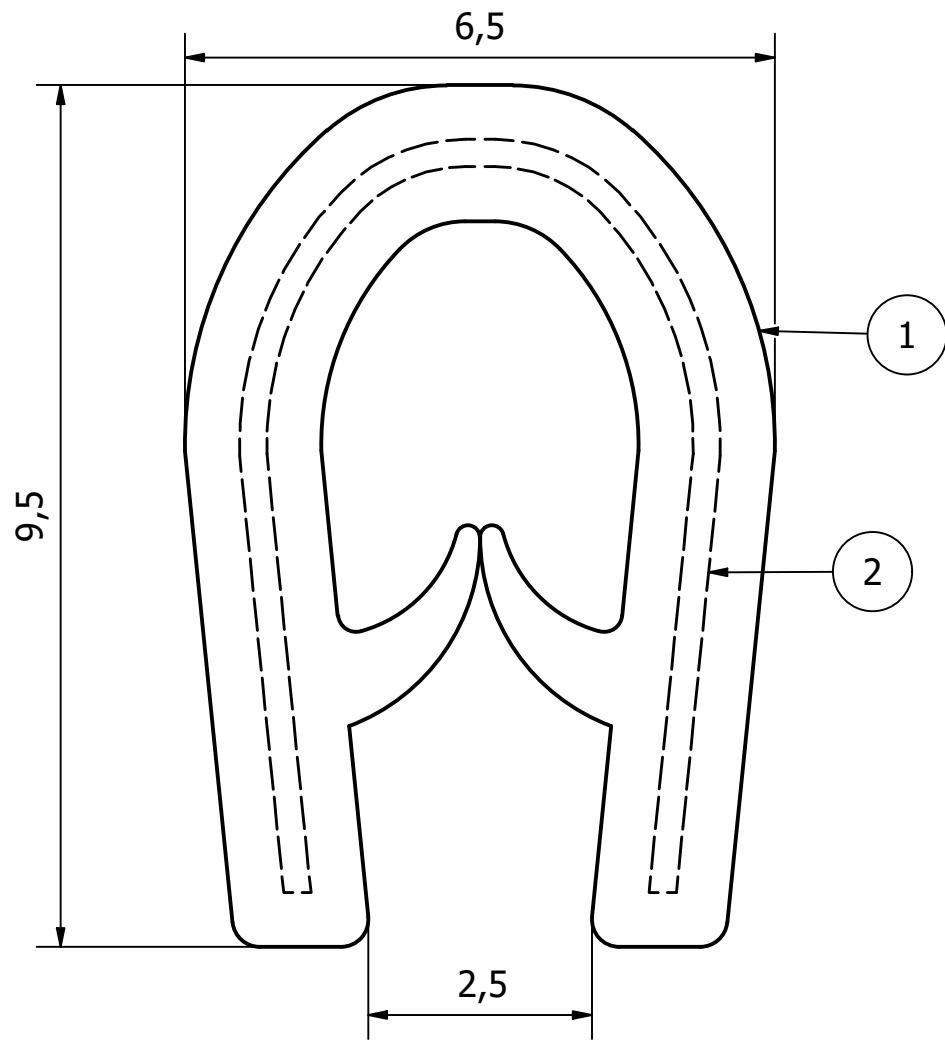
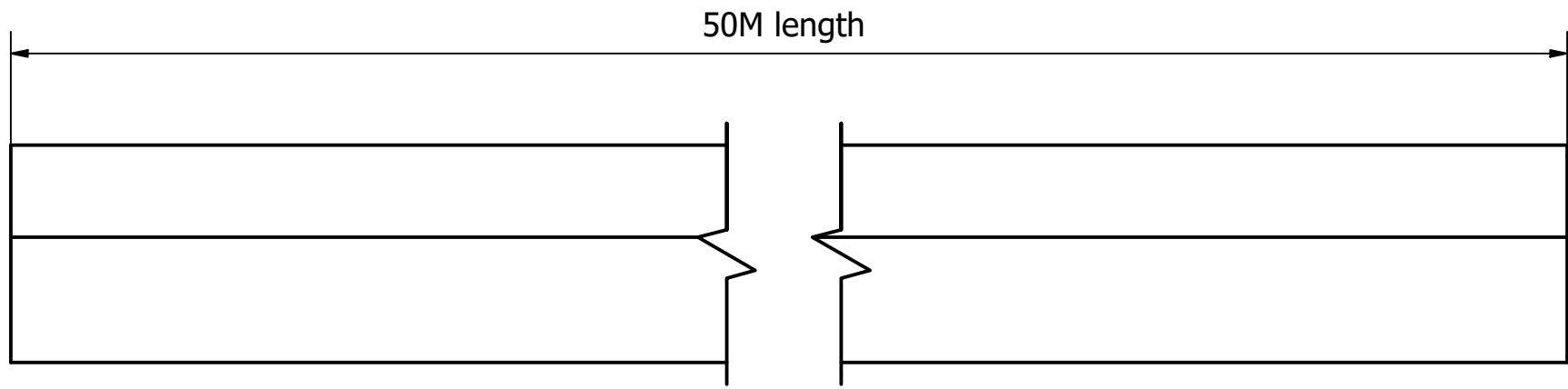


6 1 5 1 4 3 1 2 1 1



NOTE:

MATERIAL 1 - PVC BLACK 70 B5 SHORE A
 MATERIAL 2 - METAL INSERT 17.5 x 0.3 BROKEN BRIDGE
 GRIP RANGE - 0.5-1.5mm

GENERAL TOLERANCES ON LENGTHS	
0.5 - 6 ± 0.1mm	
6 - 30 ± 0.2mm	
30 - 120 ± 0.3mm	
120 - 400 ± 0.5mm	
400 - 1000 ± 0.8mm	
1000 - 2000 ± 1.2mm	
2000 - 4000 ± 2.0mm	

ALBERT JAGGER LTD
 GREEN LANE
 WALSALL PHONE: 01922 471000
 WEST MIDLANDS FAX: 01922 648021
 WS2 8HG

THIS DRAWING & THE DESIGN SHOWN ARE THE PROPERTY OF ALBERT JAGGER LTD AND MUST NOT BE USED OR COPIED BY A THIRD PARTY WITHOUT PERMISSION

DRAWN BY
 S.R

CHECKED BY
 A.P



SCALE
 12 : 1

MATERIAL
 RUBBER

MASS
 0.004 kg

FINISH
 BLACK

Date
 07/06/2022

ALL DIMS IN MM UNLESS STATED DO NOT SCALE

A3

REV	DESCRIPTION	DATE	APPROVED
2	RE-CREATED CAD	07/06/2022	S.R
1	VALIDATION COMPLETE	07/08/17	A.P



EDGE TRIM - 0.5 - 1.5MM GRIP

4901-001_V2

Edition	Sheet
2	1 / 1

↖ ↗

↕