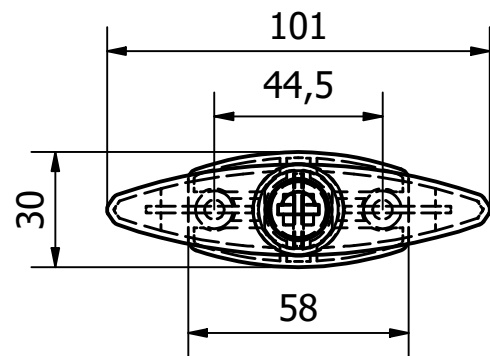
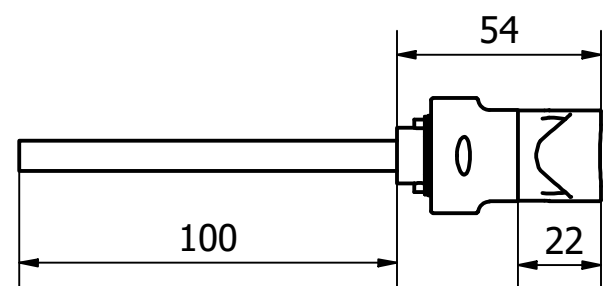
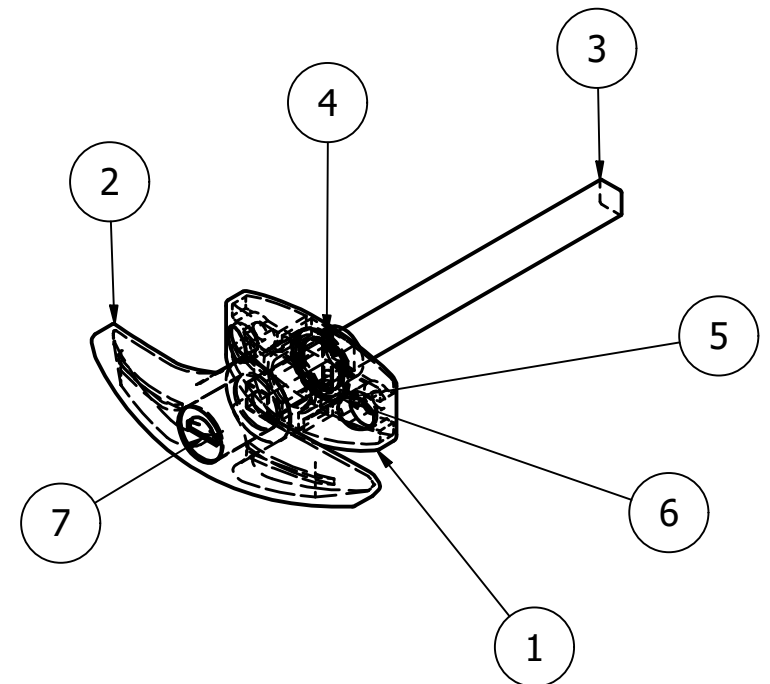
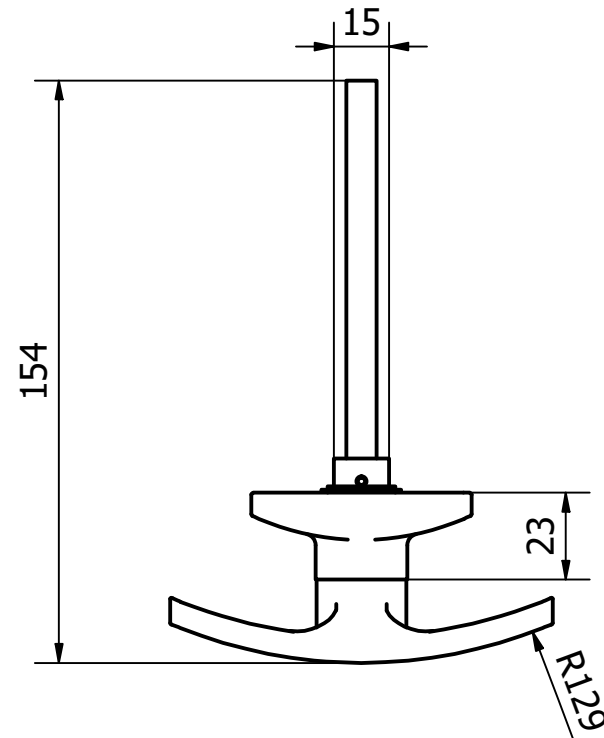


PARTS LIST			
ITEM	QTY	PART NUMBER	DESCRIPTION
1	1	5224-002-1	ZINC DIE-CAST MOUNTING BODY - POLISHED CHROME
2	1	5224-002-2	ZINC DIE-CAST HANDLE - POLISHED CHROME
3	1	5224-002-3	M/STEEL SQUARE ROD - Z/C PASSIVATE
4	1	5224-002-4	S/STEEL RETAINING PIN - NATURAL
5	2	5224-002-5	M/STEEL WASHER 17.9 A/F - Z/C PASSIVATE
6	1	5224-002-6	S/STEEL WAVET WASHER - NATURAL
7	1	5224-002-7	M/STEEL LOCK BARREL - Z/C PASSIVATE



1	VALIDATION COMPLETE	06/12/21	C.H
REV	DESCRIPTION	DATE	APPROVED

GENERAL TOLERANCES ON LENGTHS	
0.5 - 6 ± 0.1mm	
6 - 30 ± 0.2mm	
30 - 120 ± 0.3mm	
120 - 400 ± 0.5mm	
400 - 1000 ± 0.8mm	
1000 - 2000 ± 1.2mm	
2000 - 4000 ± 2.0mm	

ALBERT JAGGER LTD
 GREEN LANE
 WALSALL PHONE: 01922 471000
 WEST MIDLANDS FAX: 01922 648021
 WS2 8HG

THIS DRAWING & THE DESIGN SHOWN ARE THE PROPERTY OF ALBERT JAGGER LTD AND MUST NOT BE USED OR COPIED BY A THIRD PARTY WITHOUT PERMISSION

DRAWN BY
S.R

CHECKED BY
C.H



SCALE
1 : 2

MATERIAL
SEE TABLE

MASS
0.265 kg

FINISH
SEE TABLE

Date
03/12/2021

ALL DIMS IN MM UNLESS STATED DO NOT SCALE

A3



5224 SERIES CHROME T HANDLE - LOCKING, MIXED KEY'S

5224-001

Edition 1 Sheet 1 / 1