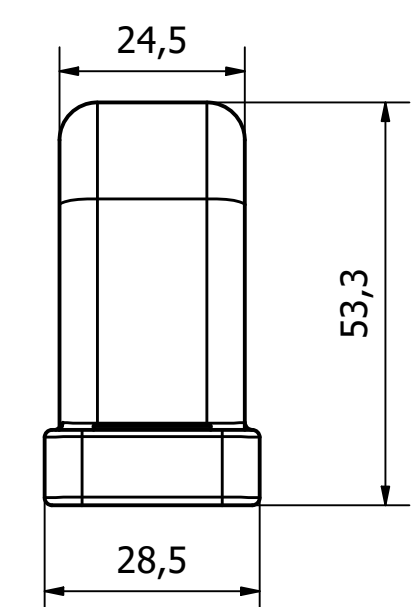
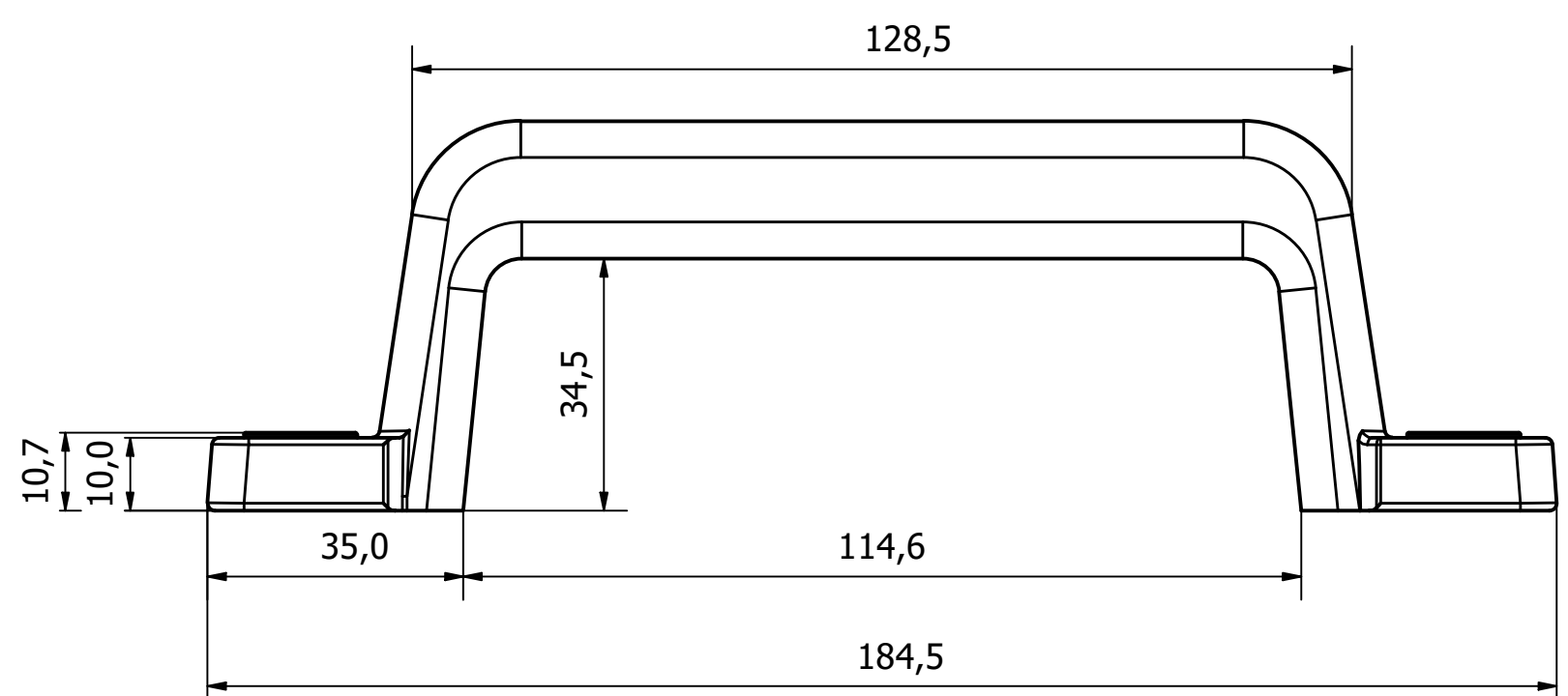
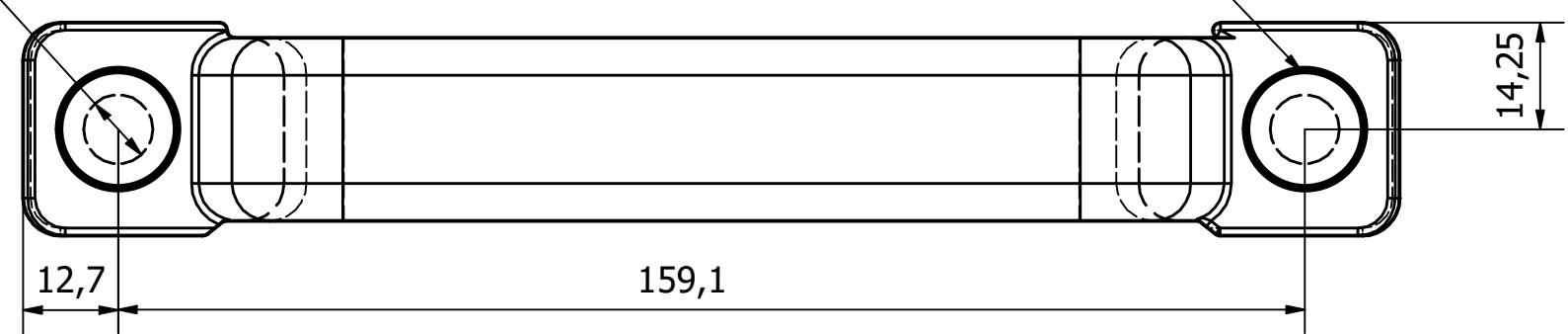


2 x Ø9,25 HOLES

2 x Ø15.5 CAPS



NOTE: 2
EXPANDED POLYPROPYLENE ON A STEEL CORE

GENERAL TOLERANCES ON LENGTHS

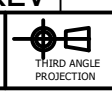
0.5 - 6 ± 0.1mm
6 - 30 ± 0.2mm
30 - 120 ± 0.3mm
120 - 400 ± 0.5mm
400 - 1000 ± 0.8mm
1000 - 1200 ± 1.2mm
2000 - 4000 ± 2.0mm

ALBERT JAGGER LTD
GREEN LANE
WALSALL PHONE: 01922 471000
WEST MIDLANDS FAX: 01922 648021
WS2 8HG

THIS DRAWING & THE DESIGN SHOWN ARE THE PROPERTY OF ALBERT JAGGER LTD AND MUST NOT BE USED OR COPIED BY A THIRD PARTY WITHOUT PERMISSION

DRAWN BY
U.F

CHECKED BY
A.P



SCALE
1 : 1

MATERIAL
SEE NOTE

MASS
0.250kg

FINISH
Black

Date
12/01/2017

ALL DIMS IN MM UNLESS STATED DO NOT SCALE

A3



BLACK PULL HANDLE - 184.5 O/A

5589-414

Edition
2

Sheet
1 / 1

REV	DESCRIPTION	DATE	APPROVED
2	MATERIAL UPDATED	17/12/21	U.F
1	VALIDATION COMPLETE	17/05/17	A.P