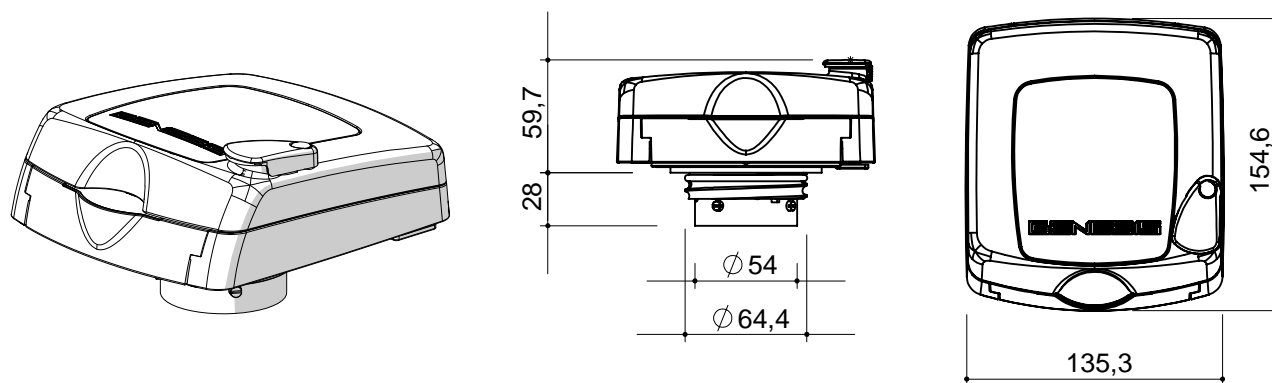


ZIPPER LOCK WIRED 80

Self closing ventilated fuel cap. Features quick mount 80 thread, lock, built in electronic activation switch and wire connection which can be used to trigger events upon fuel cap opening. Applicable current range 5-30V 1-100mA.

For tank necks with inner threaded opening ø80 mm, like SCANIA. SCANIA: all models JOHN DEERE: 5000-6000 MASSEY FERGUSON: 4292 hd



CODE	DESCRIPTION
586753035	ZIPPER LOCK WIRED 80

TECHNICAL DATA

SPECIFICATIONS

Main body material	POM Acetalic Resin
Gasket material	NBR rubber
Weight	925 g

REGULATIONS

Reference standard	ECE R34 Part III
--------------------	------------------

PACKAGING

Package type	Carton Box
Package dimensions (cm)	
Package contents	
Multipack	12 pcs in master carton box
Multipack dimensions (cm)	

ACCESSORIES

code	item	description	qty
051001122	Antireflux valve extraction tool for Scania tanks	Tool needed to extract the valve which is lodged in the tank neck before fitting anti siphon device to tank	
061020001	Fuel Pistol with 32mm nozzle	Manufactured by ZVA with 120 Lt/min flow capacity	