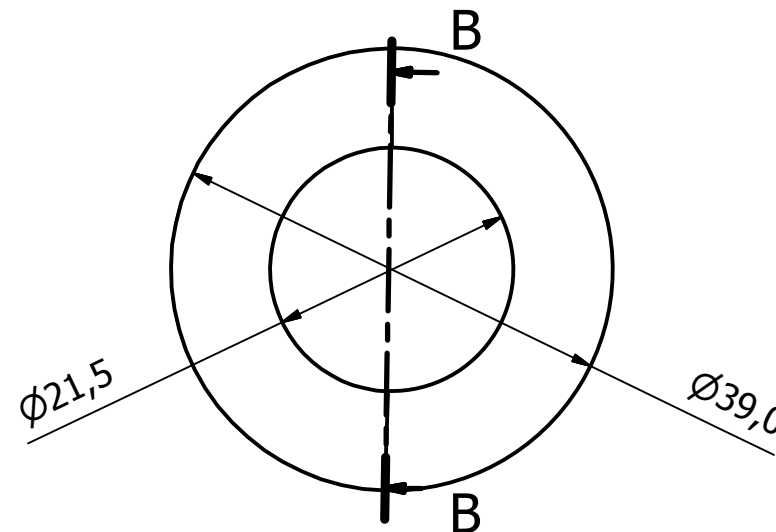
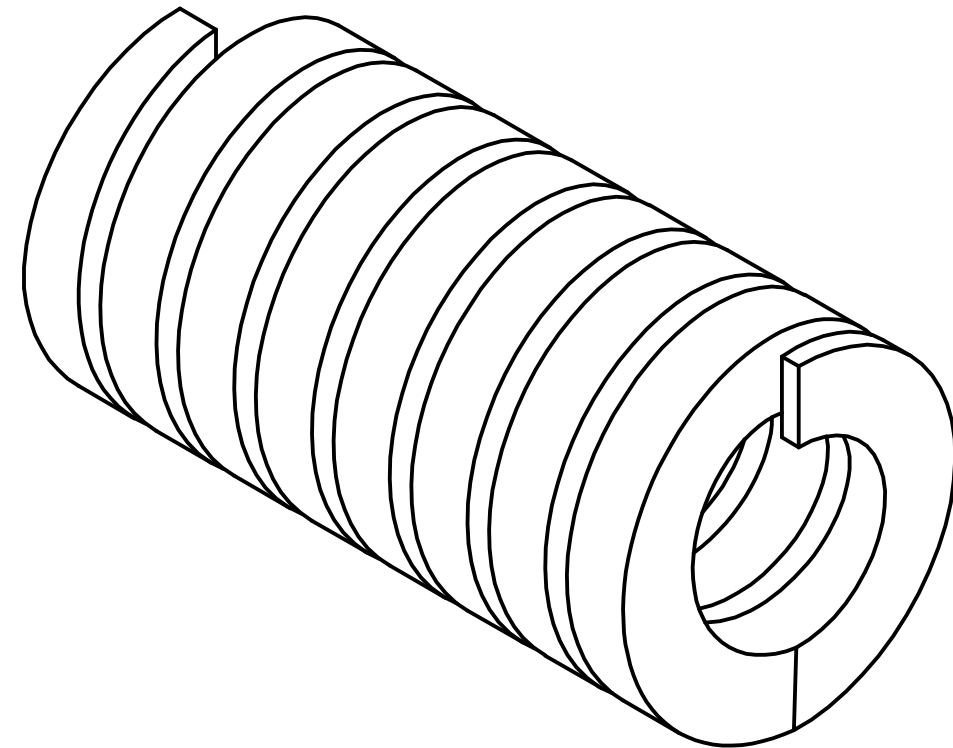
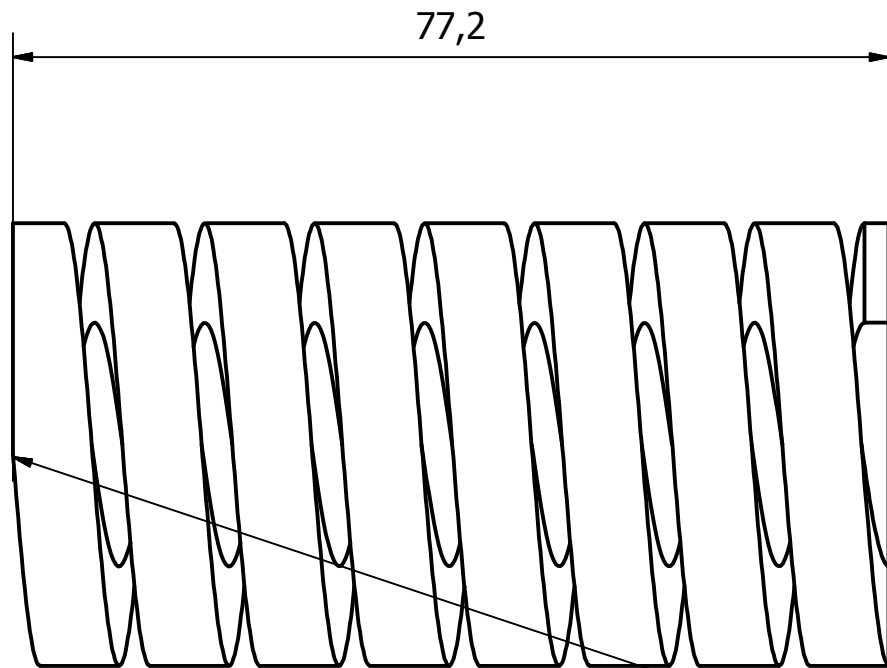
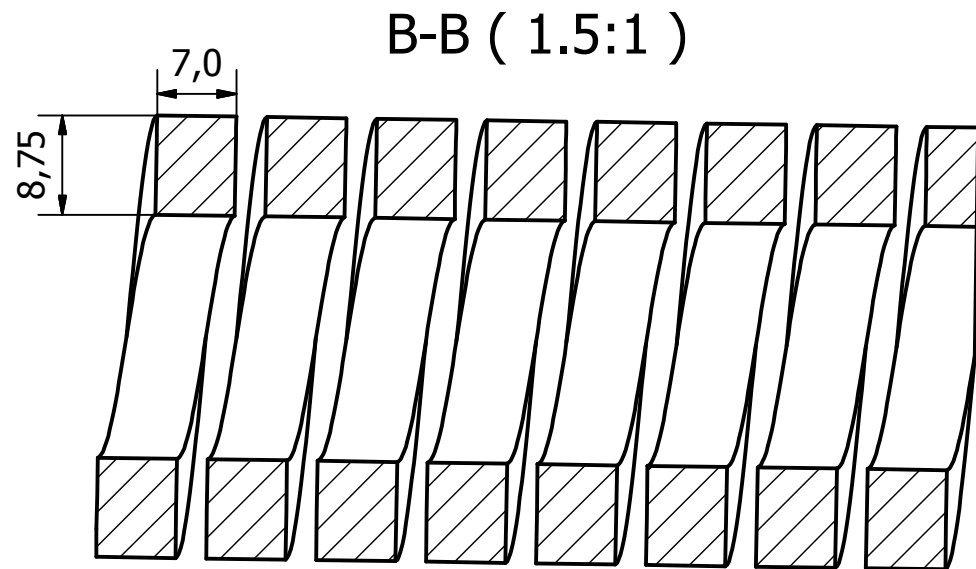


FREE LENGTH (mm)	LOAD AT 1mm DEFECTION	FOR OPTIMUM LIFE (15% OFF FREE LENGTH)		FOR LONG LIFE (20% OF FREE LENGTH)		MAX OPERATING DEFECTION (25% OF FREE LENGTH)		MAX DEFECTION	
		LOAD (N)	DEFLECTION (mm)	LOAD (N)	DEFLECTION (mm)	LOAD (N)	DEFLECTION (mm)	LOAD (N)	DEFLECTION (mm)
77.2	230	2890	11.4	3900	15.2	4910	19	5930	23



ENDS TO BE FLAT
AND SQUARE

GENERAL TOLERANCES ON LENGTHS
0.5 - 6 ± 0.1mm
6 - 30 ± 0.2mm
30 - 120 ± 0.3mm
120 - 400 ± 0.5mm
400 - 1000 ± 0.8mm
1000 - 1200 ± 1.2mm
2000 - 4000 ± 2.0mm

ALBERT JAGGER LTD
GREEN LANE
WALSALL PHONE: 01922 471000
WEST MIDLANDS FAX: 01922 648021
WS2 8HG

THIS DRAWING & THE DESIGN SHOWN
ARE THE PROPERTY OF ALBERT JAGGER LTD
AND MUST NOT BE USED OR COPIED BY A
THIRD PARTY WITHOUT PERMISSION

DRAWN BY
U.F

CHECKED BY
A.P



SCALE
1.5:1

MATERIAL
Steel, Mild

MASS
0.355 kg

FINISH
Red

Date
08/02/2017

ALL DIMS IN MM
UNLESS STATED
DO NOT SCALE

A3



M/STEEL COMPRESSION SPRING - 77.2 O/A

6033-114

Edition
1

Sheet
1 / 1

1	VALIDATION COMPLETE	14/02/17	A.P
REV	DESCRIPTION	DATE	APPROVED