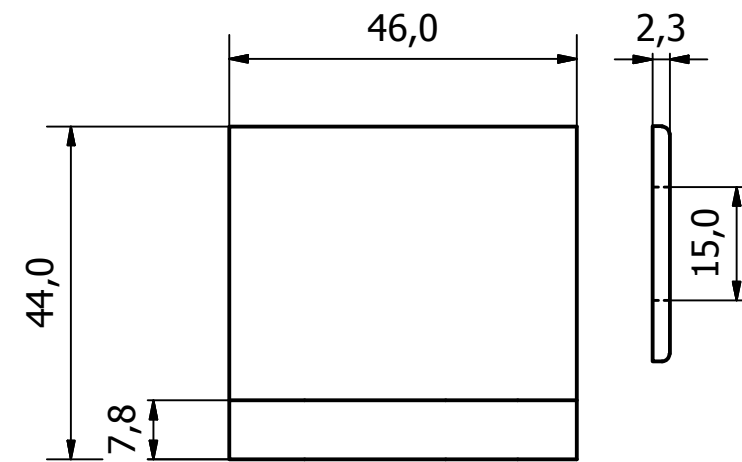
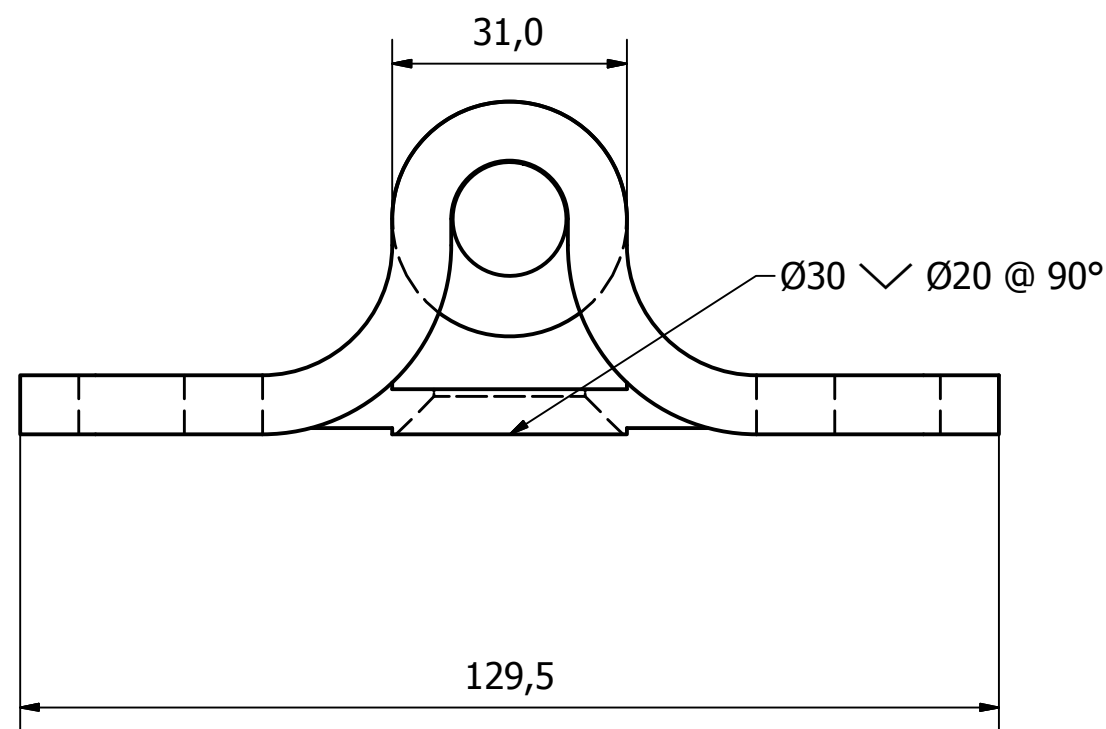
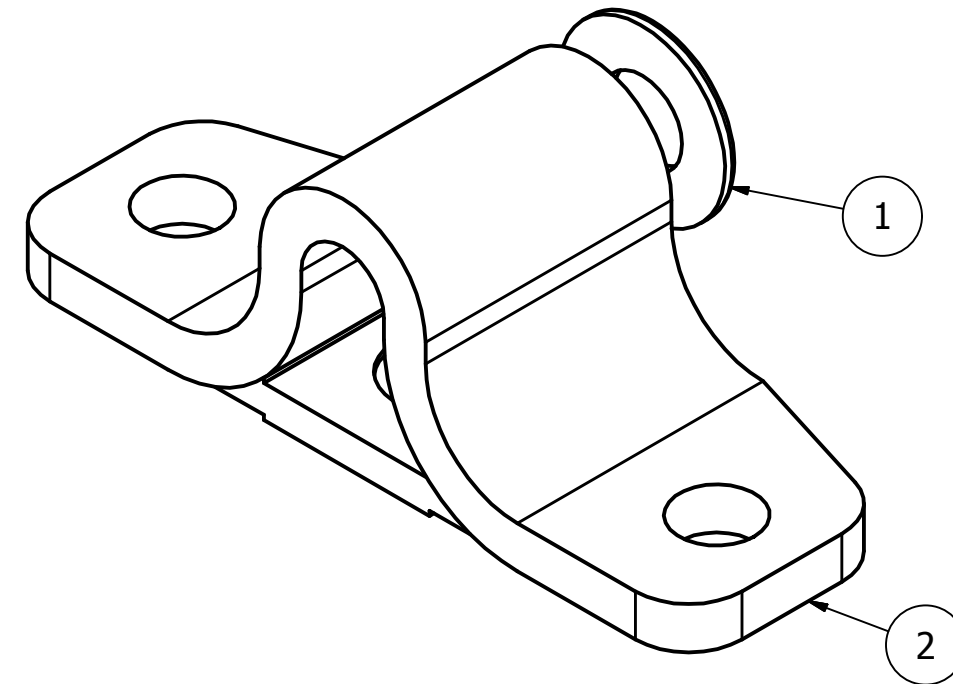
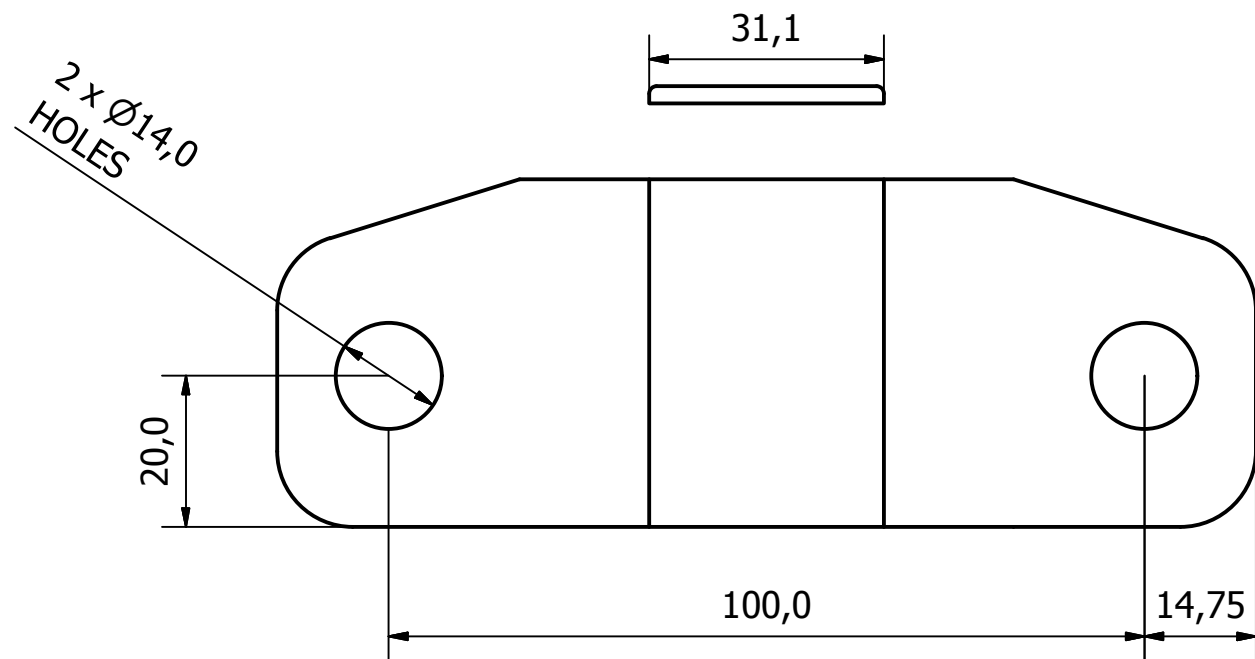


PARTS LIST			
ITEM	QTY	PART NUMBER	DESCRIPTION
1	1	6033-1501	M/STEEL WASHER TO SUIT ATEGO MOUNTING BRACKET - Z/C PASSIVATE
2	1	6033-1502	M/STEEL ATEGO MOUNTING BRACKET - P/C BLACK



1	VALIDATION COMPLETE	04/12/17	A.P
REV	DESCRIPTION	DATE	APPROVED

GENERAL TOLERANCES ON LENGTHS
0.5 - 6 ± 0.1mm
6 - 30 ± 0.2mm
30 - 120 ± 0.3mm
120 - 400 ± 0.5mm
400 - 1000 ± 0.8mm
1000 - 2000 ± 1.2mm
2000 - 4000 ± 2.0mm

ALBERT JAGGER LTD  
 GREEN LANE  
 WALSALL PHONE: 01922 471000  
 WEST MIDLANDS FAX: 01922 648021  
 WS2 8HG

THIS DRAWING & THE DESIGN SHOWN ARE THE PROPERTY OF ALBERT JAGGER LTD AND MUST NOT BE USED OR COPIED BY A THIRD PARTY WITHOUT PERMISSION

DRAWN BY  
U.F

CHECKED BY  
A.P



SCALE  
1 : 1

MATERIAL  
SEE TABLE

MASS  
0.519 kg

FINISH  
SEE TABLE

Date  
01/12/2017

ALL DIMS IN MM UNLESS STATED DO NOT SCALE

A3



ATEGO FRONT MOUNTING BRACKET KIT - C/W WASHER  
 6033-150

Edition	Sheet
1	1 / 1