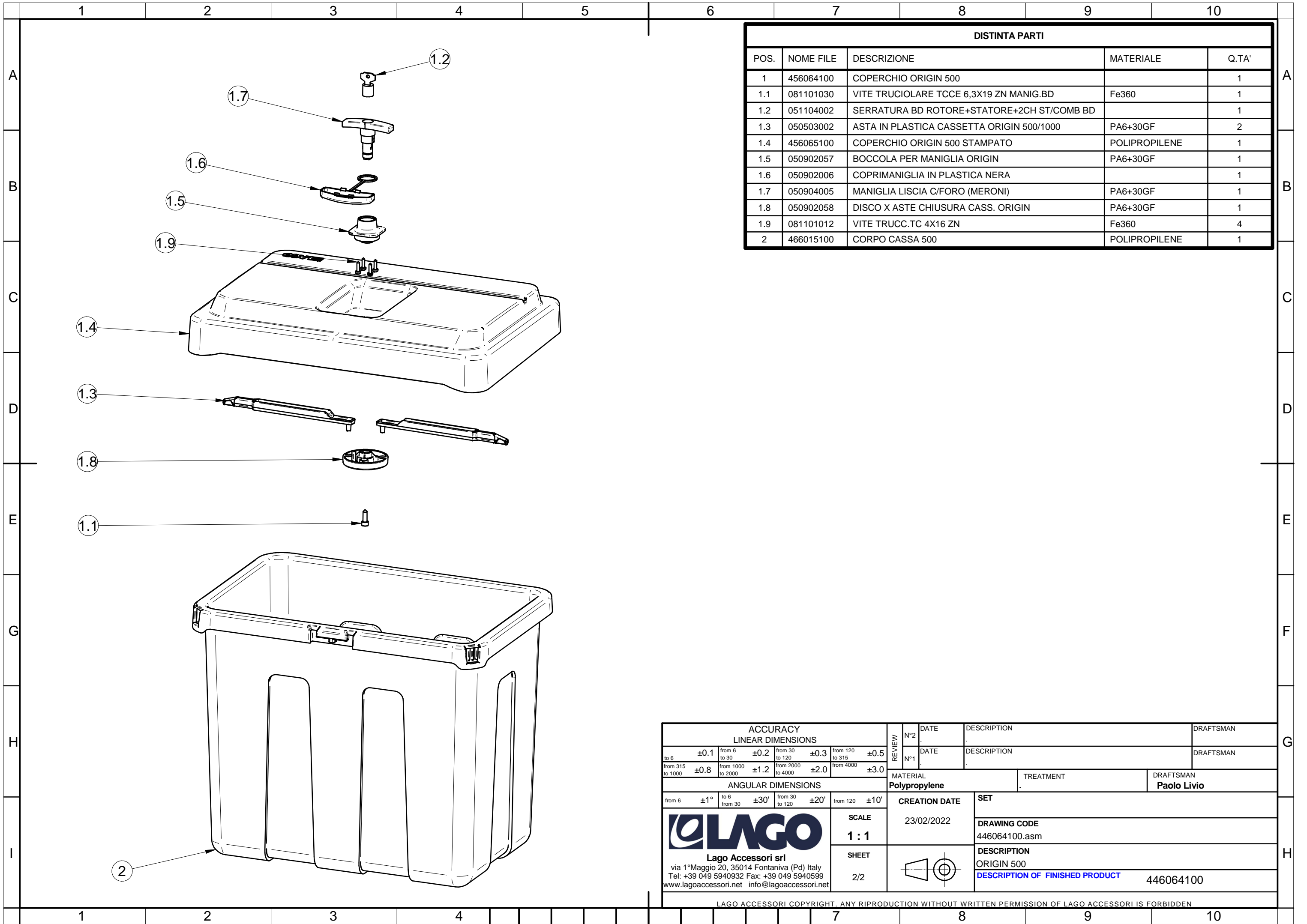


ACCURACY				REVIEW	N°2	DATE	DESCRIPTION	DRAFTSMAN
LINEAR DIMENSIONS								
to 6	±0.1	from 6 to 30	±0.2	from 30 to 120	±0.3	from 120 to 315	±0.5	
from 315 to 1000	±0.8	from 1000 to 2000	±1.2	from 2000 to 4000	±2.0	from 4000	±3.0	
ANGULAR DIMENSIONS				MATERIAL		TREATMENT	DRAFTSMAN	
from 6	±1°	to 6	±30'	Polypropylene			Paolo Livio	
from 30		from 30	±20'	CREATION DATE		SET		
to 120		from 120	±10'	23/02/2022		DRAWING CODE		
LAGO				SCALE		446064100.asm		
Lago Accessori srl				1 : 1		DESCRIPTION		
via 1°Maggio 20, 35014 Fontaniva (Pd) Italy				SHEET		ORIGIN 500		
Tel: +39 049 5940932 Fax: +39 049 5940599				1/2		DESCRIPTION OF FINISHED PRODUCT		
www.lagoaccessori.net info@lagoaccessori.net						446064100		



DISTINTA PARTI				
POS.	NOME FILE	DESCRIZIONE	MATERIALE	Q.TA'
1	456064100	COPERCHIO ORIGIN 500		1
1.1	081101030	VITE TRUCIOLARE TCCE 6,3X19 ZN MANIG.BD	Fe360	1
1.2	051104002	SERRATURA BD ROTORE+STATORE+2CH ST/COMB BD		1
1.3	050503002	ASTA IN PLASTICA CASSETTA ORIGIN 500/1000	PA6+30GF	2
1.4	456065100	COPERCHIO ORIGIN 500 STAMPATO	POLIPROPILENE	1
1.5	050902057	BOCCOLA PER MANIGLIA ORIGIN	PA6+30GF	1
1.6	050902006	COPRIMANIGLIA IN PLASTICA NERA		1
1.7	050904005	MANIGLIA LISCIA C/FORO (MERONI)	PA6+30GF	1
1.8	050902058	DISCO X ASTE CHIUSURA CASS. ORIGIN	PA6+30GF	1
1.9	081101012	VITE TRUCC.TC 4X16 ZN	Fe360	4
2	466015100	CORPO CASSA 500	POLIPROPILENE	1

ACCURACY				REVIEW	N°2	DATE	DESCRIPTION	DRAFTSMAN
LINEAR DIMENSIONS								
to 6	±0.1	from 6 to 30	±0.2	from 30 to 120	±0.3	from 120 to 315	±0.5	
from 315 to 1000	±0.8	from 1000 to 2000	±1.2	from 2000 to 4000	±2.0	from 4000	±3.0	
ANGULAR DIMENSIONS				MATERIAL		TREATMENT	DRAFTSMAN	
from 6	±1°	to 6	±30'	from 30 to 120	±20'	from 120	±10'	Polypropylene
				CREATION DATE		SET		
				23/02/2022		DRAWING CODE		
						446064100.asm		
				SHEET		DESCRIPTION		
				2/2		ORIGIN 500		
						DESCRIPTION OF FINISHED PRODUCT		
						446064100		

LAGO ACCESSORI COPYRIGHT. ANY RIPRODUCTION WITHOUT WRITTEN PERMISSION OF LAGO ACCESSORI IS FORBIDDEN