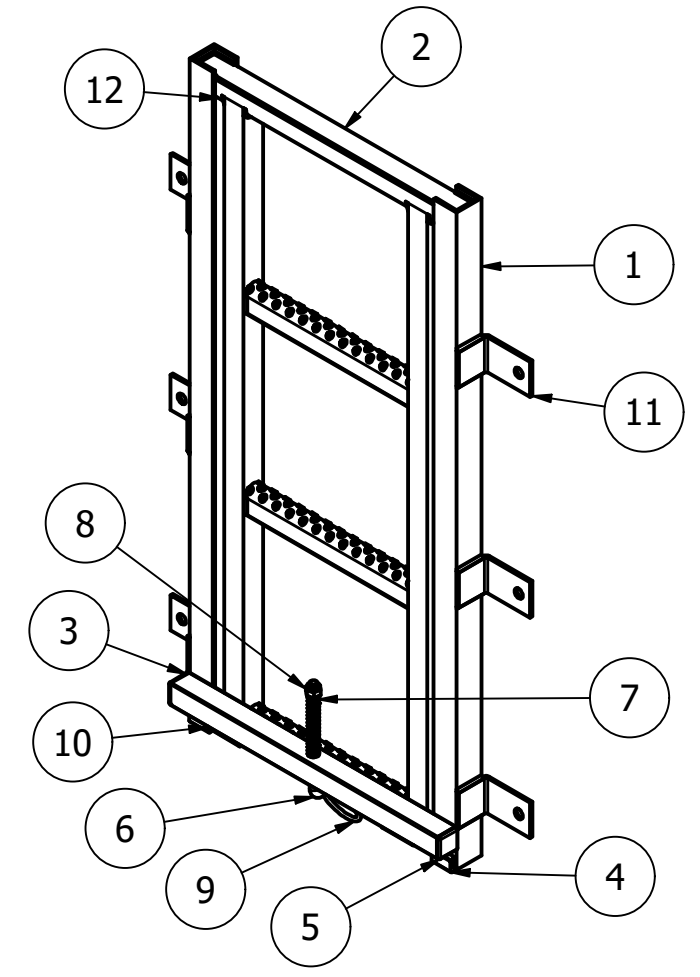
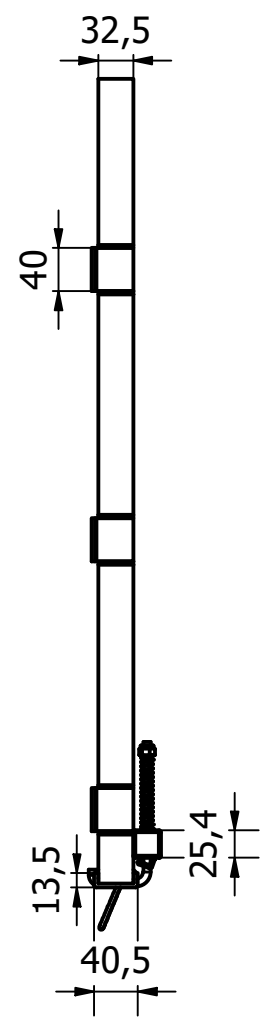
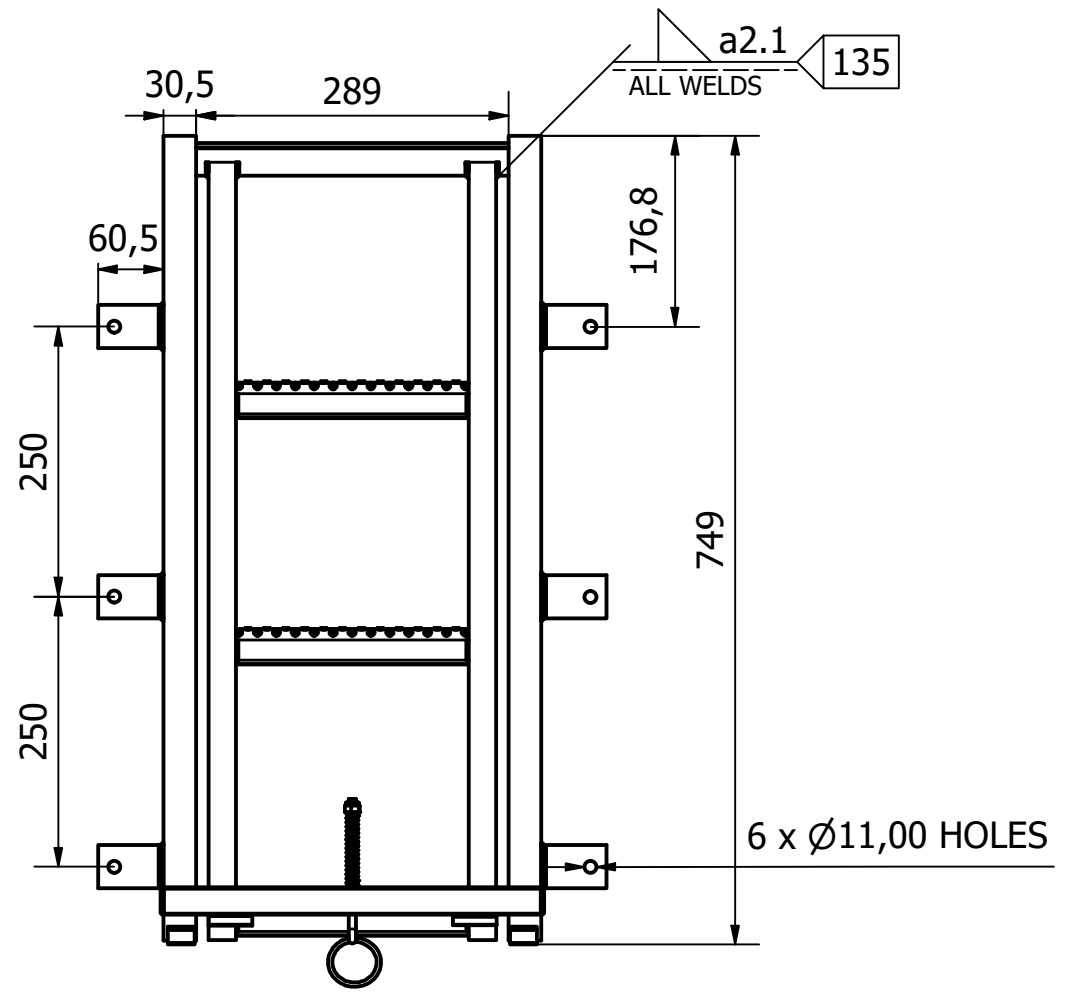
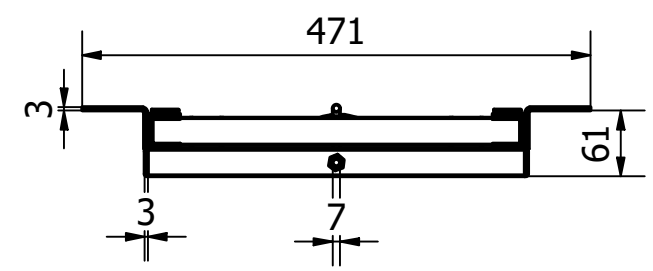


PARTS LIST

ITEM	QTY	PART NUMBER	DESCRIPTION
1	2	AJ 0891-1	M/STEEL- UPRIGHT OUTER FRAME- Z/C PASSIVATE
2	1	AJ 0891-2	M/STEEL - TOP PLATE WELD- Z/C PASSIVATE
3	1	AJ 0889-5	M/STEEL- LOCK SUPPORT- Z/C PASSIVATE
4	2	AJ 0891-3	M/STEEL- FRAME SUPPORT BOTTOM BRAKET
5	2	AJ 0888-5	PLASTIC END CAPS- BLACK
6	1	AJ 0888-9	M/STEEL- LOCKING PIN- Z/C PASSIVATE
7	1	4010-RESSORT	M/STEEL- SPRING - NATURAL
8	1	ECRO001S	M/STEEL- WASHER&BOLT-Z/C PASSIVATE
9	1	AJ 0888-10	M/STEEL - O-RING HANDLE
10	2	AJ 0888-6	M/STEEL-SUPPORT HOOKS-Z/C PASSIVATE
11	6	AJ 0888-7	M/STEEL- MOUNTING BRACKETS- Z/C PASSIVATE
12	1	AJ 0891-6-ASSEM	M/STEEL- STEP LADDER WLED ASSEMBLY -Z/C PASSIVATE



REV	DESCRIPTION	DATE	APPROVED
2	EDITED MASS	06/10/2022	S.R
1	VALIDATION COMPLETE	15/08/2022	C.H

GENERAL TOLERANCES ON LENGTHS

0.5 - 6 ± 0.1mm
6 - 30 ± 0.2mm
30 - 120 ± 0.3mm
120 - 400 ± 0.5mm
400 - 1000 ± 0.8mm
1000 - 2000 ± 1.2mm
2000 - 4000 ± 2.0mm

ALBERT JAGGER LTD  
 GREEN LANE  
 WALSALL PHONE: 01922 471000  
 WEST MIDLANDS FAX: 01922 648021  
 WS2 8HG

THIS DRAWING & THE DESIGN SHOWN ARE THE PROPERTY OF ALBERT JAGGER LTD AND MUST NOT BE USED OR COPIED BY A THIRD PARTY WITHOUT PERMISSION

DRAWN BY: S.R  
 CHECKED BY: C.H

SCALE: 1 : 7  
 MATERIAL: SEE TABLE  
 MASS: 6.34 kg  
 FINISH: SEE TABLE  
 Date: 15/08/2022  
 ALL DIMS IN MM UNLESS STATED DO NOT SCALE



RETRACTABLE UNDERBODY ACCESS STEPS

6688-681116003

Edition: 2  
 Sheet: 1 / 1