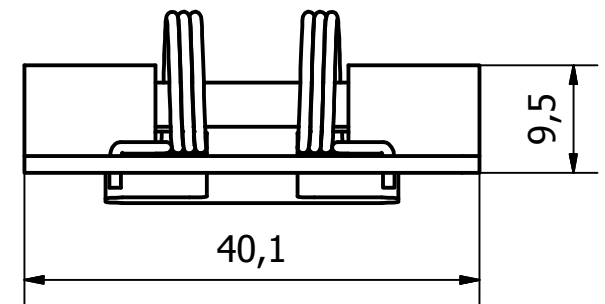
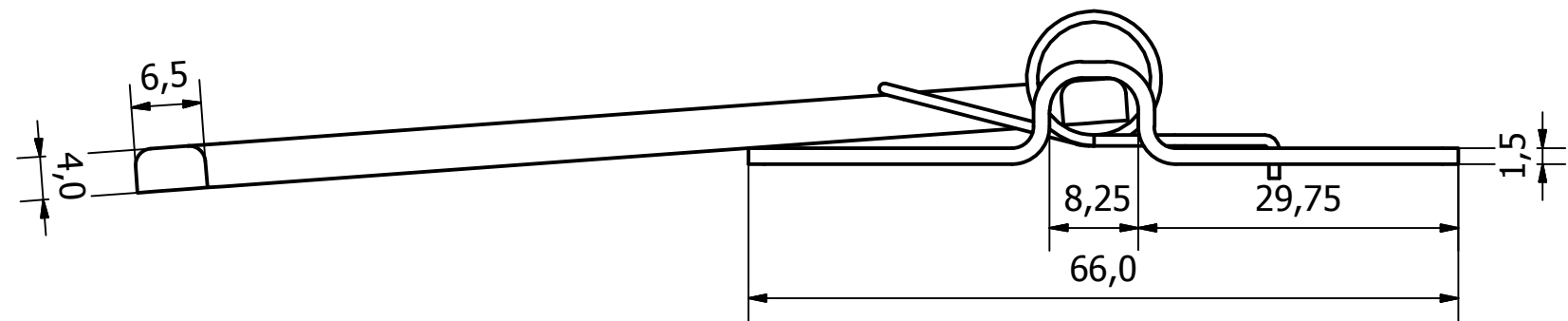
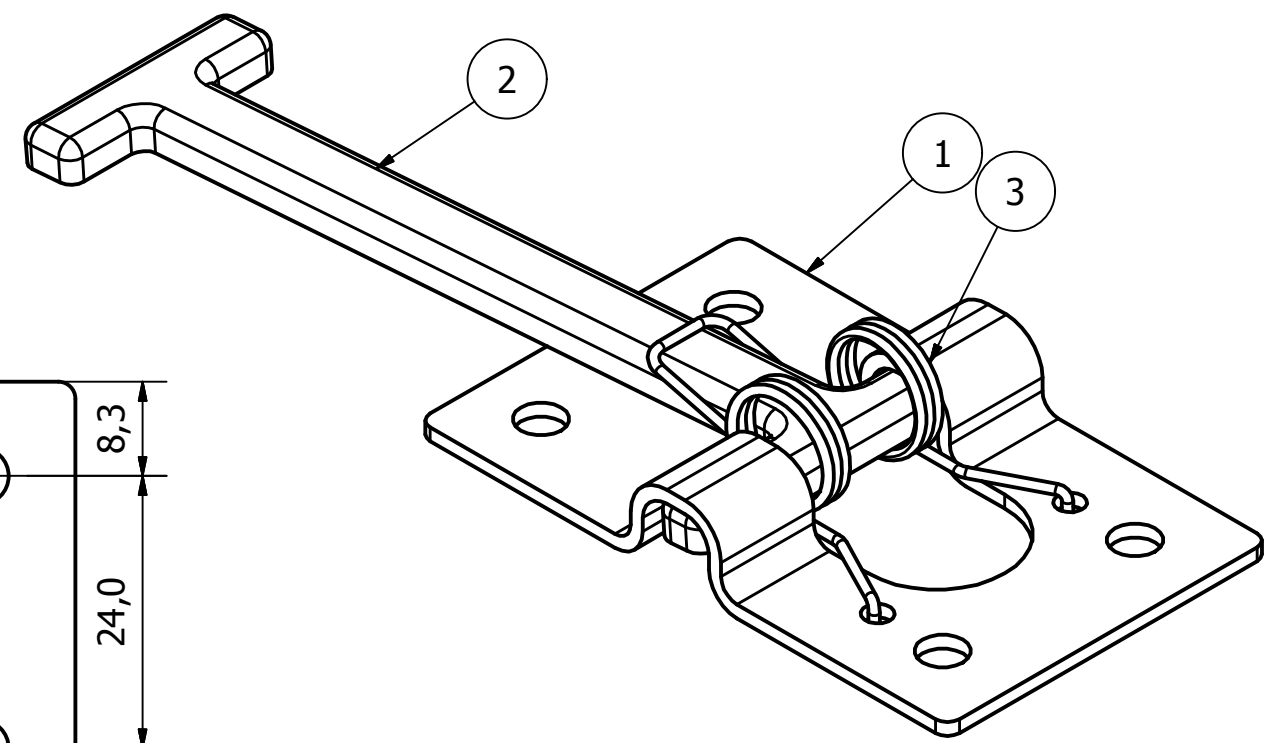
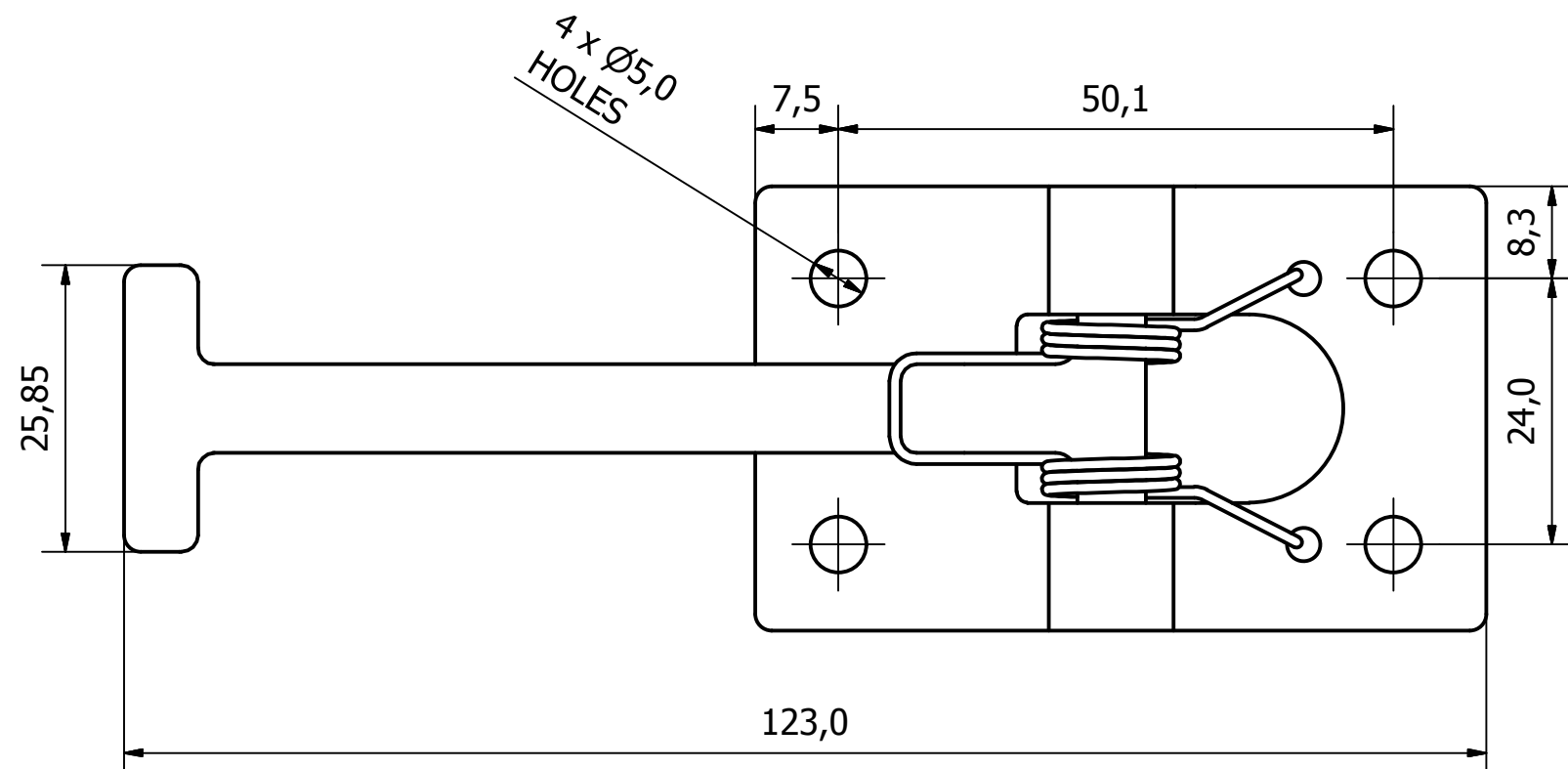


PARTS LIST			
ITEM	QTY	PART NUMBER	DESCRIPTION
1	1	9810-3350-1	S/STEEL RETAINER BODY
2	1	9810-3350-2	S/STEEL RETAINER HANDLE
3	1	9810-3350-3	S/STEEL SPRING CLIP



NOTE:

FOR USE WITH:
 9810/3370 - RETAINER
 9810/3390 - BACK PLATE



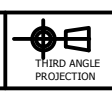
GENERAL TOLERANCES ON LENGTHS
0.5 - 6 ± 0.1mm
6 - 30 ± 0.2mm
30 - 120 ± 0.3mm
120 - 400 ± 0.5mm
400 - 1000 ± 0.8mm
1000 - 2000 ± 1.2mm
2000 - 4000 ± 2.0mm

ALBERT JAGGER LTD
 GREEN LANE
 WALSALL PHONE: 01922 471000
 WEST MIDLANDS FAX: 01922 648021
 WS2 8HG

THIS DRAWING & THE DESIGN SHOWN ARE THE PROPERTY OF ALBERT JAGGER LTD AND MUST NOT BE USED OR COPIED BY A THIRD PARTY WITHOUT PERMISSION

DRAWN BY
 U.F

CHECKED BY
 A.P



SCALE
 1.5:1

MATERIAL
 -

MASS
 0.062 kg

FINISH
 POLISHED

Date
 10/07/2017

ALL DIMS IN MM UNLESS STATED DO NOT SCALE

A3

REV	DESCRIPTION	DATE	APPROVED
2	NOTE MODIFIED	06/10/17	U.F
1	VALIDATION COMPLETE	28/07/17	A.P



S/STEEL SPRING LOADED DOOR RETAINER

9810-3350

Edition 2
 Sheet 1 / 1